

肘节阀 (Toggle Valves)

- 可对应Flowell 60series/Flare Type。
- 接流体部全部都是氟化乙烯树脂(PFA/PTFE)，抗腐蚀。
- 超低粉尘清理(表面粗糙度加工、精密洗净、平面构造)。
- MRM独自的安全构造(高压对策及热循环对策)。

型号表示方法 (How to order)

MPTV2 - □ F - □ □ - □ - □

↓ ↓ ↓ ↓ ↓ ↓

① ② ③ ④ ⑤



型号选定例 (Model Number Selection example)

MPTV2-15F-SB-B-5K

: 1/2"(×3/8"), Pillar Super 300, Bottom mounting, 0.5MPa specification

◎ : 标准在庫品 (Standard stock)

○ : 受注生産品 (Made to order)

— : 无在庫 (Not stock)

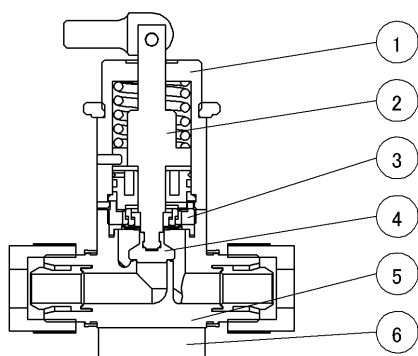
| ① 阀门尺寸 (Valve size) | | 10 | | 15 | | 20 | |
|----------------------------|--------------------|-------------|------|-------------|------|-------------|------|
| | mm | Φ10×Φ8 | | Φ12×Φ10 | | Φ19×Φ16 | |
| | inch | 3/8"(×1/4") | | 1/2"(×3/8") | | 3/4"(×5/8") | |
| ② 连接方式 (Connection method) | | mm | inch | mm | inch | mm | inch |
| S | Pillar Super 300 | ◎ | ◎ | ◎ | ◎ | ◎ | ◎ |
| L | Pillar Super flare | ○ | ○ | ○ | ○ | ○ | ○ |

| ③ 管道规格 (Tube Standard) | |
|------------------------|------|
| A | mm |
| B | inch |

| ⑤ 流体压力 (Fluid pressure range) | |
|-------------------------------|---------------------------------|
| 5K | 0.5MPa规格 (0.5MPa specification) |
| (No sign) | 0.7MPa规格 (0.7MPa specification) |

| ④ 固定 (Mounting) | |
|-----------------|------------------------|
| (No sign) | 法兰固定 (Flange mounting) |
| B | 底座固定 (Bottom mounting) |

内部构造 (Internal structure)



| 品名 (No) | 零件名 (Parts name) | 材质 (Material) |
|---------|-------------------|---------------|
| ① | 外壳 (Case) | PP |
| ② | 升降件 (Shaft) | PP |
| ③ | 填料式旋塞阀 (Stuffing) | PP |
| ④ | 薄膜 (Diaphragm) | PTFE |
| ⑤ | 本体 (Body) | PFA |
| ⑥ | 底座 (Base) | PP |

规格 (Specifications)

| | | | |
|--|--|-----------|-----------|
| 使用流体 (Fluid) | 化学品·纯水·气体 (Chemical liquid, DIW, Gas) ※1 | | |
| 流体温度 (Fluid temperature range) | 10~100°C | | |
| 大气温度 (Atmospheric temperature) | 0~40°C | | |
| 液体流动部分的材质 (Materials of liquid flowed parts) | 本体 (Body) | : PFA | |
| | 薄膜 (Diaphragm) | : PTFE | |
| 操作方式 (Operating system) | 手动肘节式 (Toggle type) | | |
| 阀门尺寸 (Valve size) | 10 (3/8") | 15 (1/2") | 20 (3/4") |
| 流通孔 (Orifice) | Φ8 | Φ10 | Φ16 |
| 流体压力 (Fluid pressure range) | | | |
| 0.5MPa规格 (0.5MPa specification) | IN→OUT | 0~0.5MPa | |
| | 背压 (Back pressure) | 0~0.5MPa | |
| 0.7MPa规格 (0.7MPa specification) | IN→OUT | 0~0.7MPa | |
| | 背压 (Back pressure) | 0~0.7MPa | |

PFA

Flare Type
Flowell 60seriesPillar Super 300
Pillar Super flare

PTFE

Tube Fitting

Other

Union

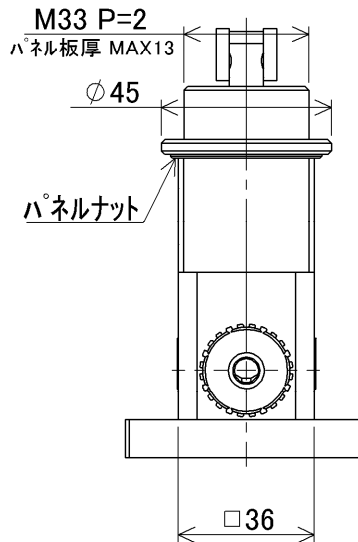
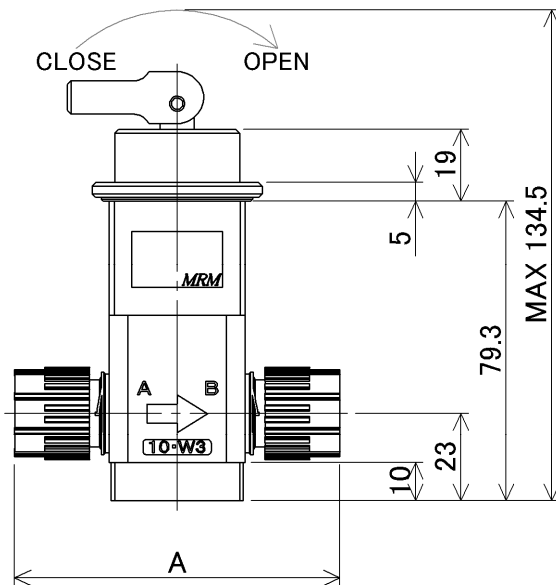
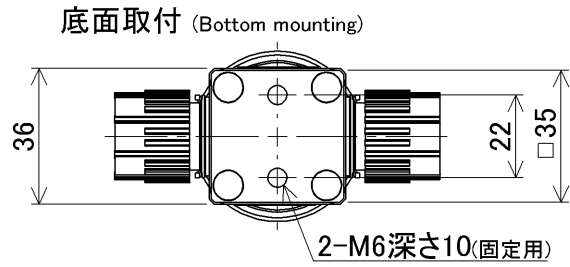
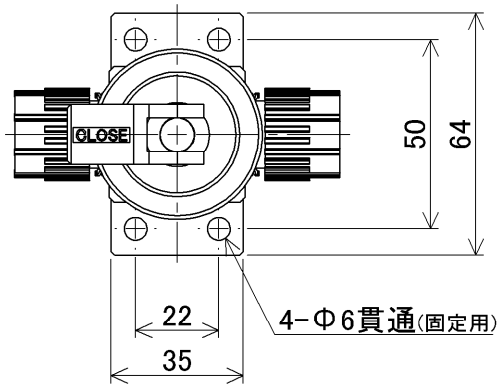
注释 (Note)

※1: 气体在最大1cm³/min的时候, 有可能会发生阀底座泄露。

尺寸 (Dimensions)

- ▶ $\Phi 10 \times \Phi 8$
- ▶ $3/8" (\times 1/4")$

MPTV2 - 10 F - □□ - □ - □

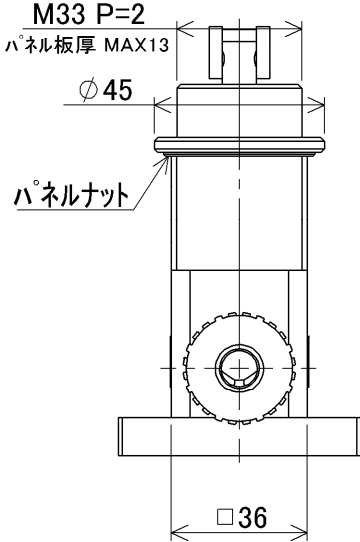
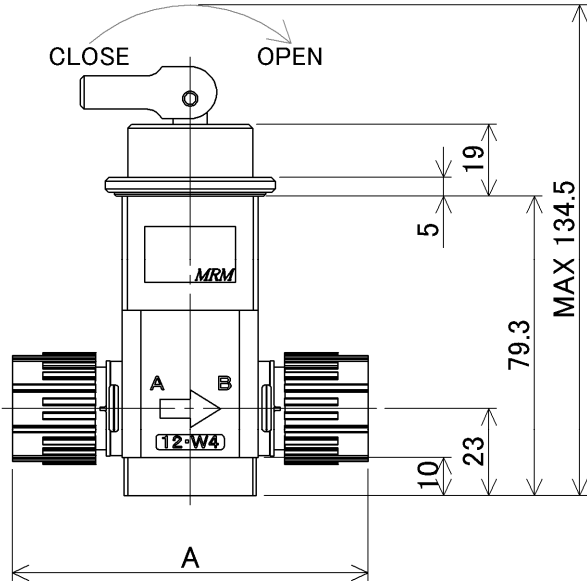
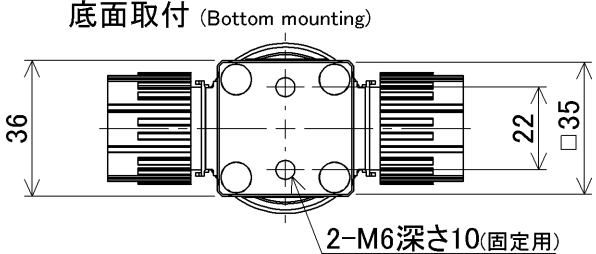
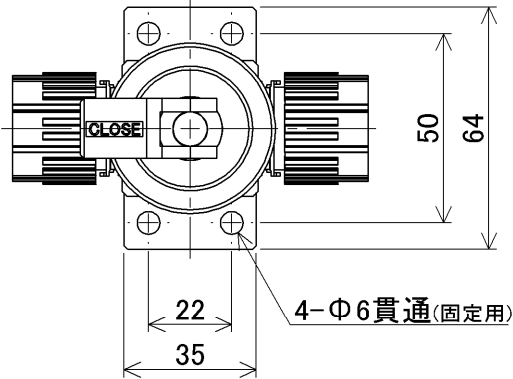


| 连接方式 (Connection method) | A |
|-----------------------------|------|
| Pillar Super 300 | 86 |
| Pillar Super flare | 85.6 |

尺寸 (Dimensions)

▶ $\Phi 12 \times \Phi 10$
▶ 1/2" (× 3/8")

MPTV2 - 15 F - □□ - □ - □



| 连接方式 (Connection method) | A |
|-----------------------------|------|
| Pillar Super 300 | 94 |
| Pillar Super flare | 93.6 |

PFA

Flare Type
Flowell 60series

Pillar Super 300
Pillar Super flare

PTFE

Tube Fitting

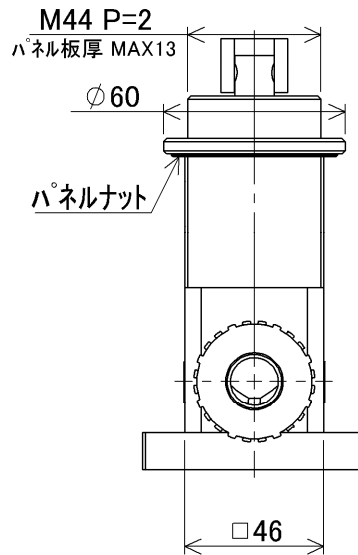
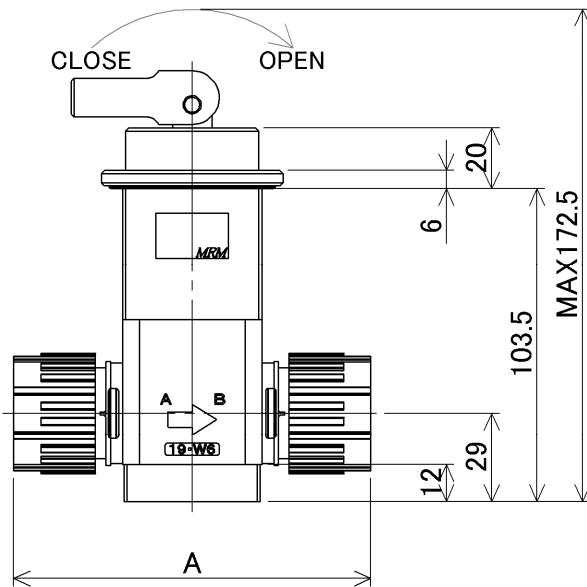
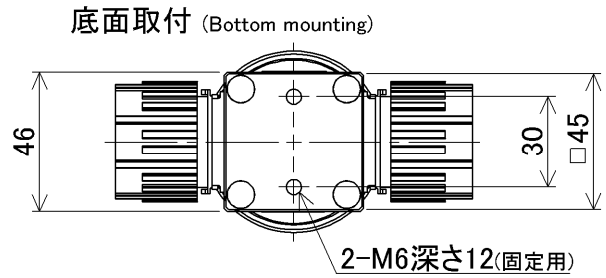
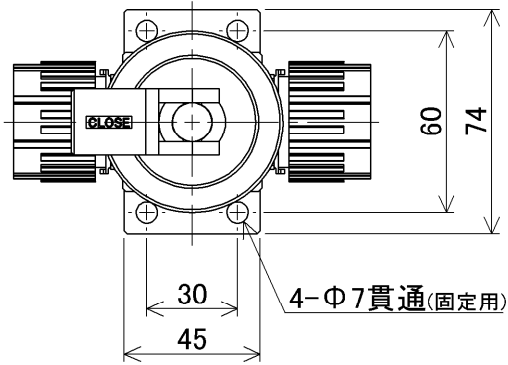
Other

Union

尺寸 (Dimensions)

- ▶ $\Phi 19 \times \Phi 16$
- ▶ $3/4" (\times 5/8")$

MPTV2 - 20 F - □ □ - □ - □



| 连接方式 (Connection method) | A |
|-----------------------------|-------|
| Pillar Super 300 | 118 |
| Pillar Super flare | 117.6 |

| | | | | | | |
|-----|--------------------------------|--|------|--------------|-------|-------|
| PFA | Flare Type Flowell 60series | Pillar Super 300 Pillar Super flare | PTFE | Tube Fitting | Other | Union |
|-----|--------------------------------|--|------|--------------|-------|-------|