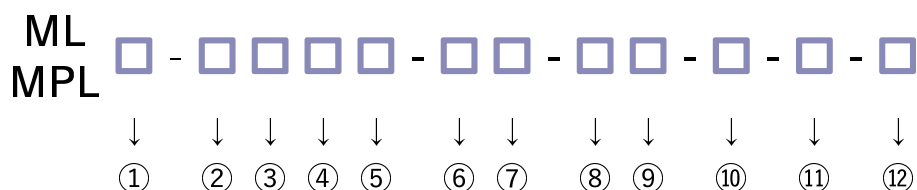


## 歧管阀 (Manifold Valves)

- 分离式本体的生产效率更高，比一体型价格更低，交期更短。
- 接接流体部全部都是氟化乙烯树脂(PTFE)，抗腐蚀。
- 超低粉尘清理(表面粗糙度加工、精密洗净、平面构造)。
- MRM独自的安全构造(高压对策及热循环对策)。

## 型号表示方法 (How to order)



ML : 0.3MPa规格 (0.3MPa specification)  
 MPL : 0.5/0.7MPa规格 (0.5/0.7MPa specification)

型号选定例 (Model Number Selection example)

MPL2-20SA15-29-T10-E-5K

- : 0.5MPa specification, Pillar Super 300, EPDM
- A port – Right position,  $\Phi 19 \times \Phi 16$ (mm)
- B port1 –  $\Phi 12 \times \Phi 10$ (mm), Toggle
- B port2 –  $\Phi 12 \times \Phi 10$ (mm), NC, Flow adjustment
- B port3 –  $\Phi 12 \times \Phi 10$ (mm), NO, ON/OFF

ML3-20SB15-MMT

- : 0.3MPa specification, Pillar Super 300
- A port – Both position,  $3/4" (\times 5/8")$
- B port1 –  $1/2" (\times 3/8")$ , Manual
- B port2 –  $1/2" (\times 3/8")$ , Manual
- B port3 –  $1/2" (\times 3/8")$ , Toggle

### ① A port 位置 (A port position)

1	左侧 (Left position)	
2	右侧 (Right position)	
3	两侧 (Both position)	

◎ : 标准在库品 (Standard stock)  
○ : 受注生产产品 (Made to order)  
— : 无在库 (Not stock)

② A port 尺寸 (A port size)		10		15		20		25	
⑤ B port 尺寸 (B port size)									
	mm	Φ10×Φ8		Φ12×Φ10		Φ19×Φ16		Φ25×Φ22	
	inch	3/8"(×1/4")		1/2"(×3/8")		3/4"(×5/8")		1"(×7/8")	
③ 接続方式 (Connection method)		mm	inch	mm	inch	mm	inch	mm	inch
F	Flowell 20series	○	○	○	○	○	○	○	○
FA	Flowell 20Aseries	○	○	○	○	○	○	○	○
R	Flowell 60series	○	○	○	○	○	○	○	○
H	Flowell 80series	○	○	○	○	○	○	○	○
P	Pillar Super fitting	○	○	○	○	○	○	○	○
S	Pillar Super 300	○	○	○	○	○	○	○	○
L	Pillar Super flare	○	○	○	○	○	○	○	○
K	Kurabo Final lock	○	○	○	○	○	○	○	○
C	Kurabo K-Fitter	○	○	○	○	○	○	○	○
B	Bueno Fit-One	○	○	○	○	○	○	○	○
X	Flare Type	—	○	—	○	—	○	—	○
T	Tube Type	○	○	○	○	○	○	○	○

④ 管道规格 (Tube Standard)	
A	mm
B	inch

⑥ B port1 制动方式 (B port1 operation method) ※1 ※2	
2	NC (Normal Close)
9	NO (Normal Open)
(No sign)	Manual or Toggle

⑧ B port1 附加功能 (B port1 additional function) ※1 ※2	
0	ON/OFF
1	流量调整能 (Flow adjustment)
M	手动式 (Manual type)
T	手动肘节式 (Toggle type) ※3

⑩ O-Ring ※4	
(No sign)	FKM
V	DAI-EL G902
E	EPDM

⑦ B port2 制动方式 (B port2 operation method) ※1 ※2	
2	NC (Normal Close)
9	NO (Normal Open)
(No sign)	Manual or Toggle

⑨ B port2 附加功能 (B port2 additional function) ※1 ※2	
0	ON/OFF
1	流量调整功能 (Flow adjustment)
M	手动式 (Manual type)
T	手动肘节式 (Toggle type) ※3

⑪ 流体压力 (Fluid pressure range) ※5	
5K	0.5MPa规格 (0.5MPa specification)
(No sign)	0.7MPa规格 (0.7MPa specification) ※6

⑫ 螺母涂层 (Bolt coating) ※4	
(No sign)	无涂层 (Not coated)
Y	有涂层 (Coated)

#### 注释 (Note)

- ※1 : 请指定阀门的连接数。(例) 3连, NC, ON/OFF : 222-000
- ※2 : 请参照①A port位置来指定B port1。
- ※3 : B port尺寸“25”的肘节不生产。
- ※4 : 虽不接触流体, 但在有腐蚀性流体的时候请选择。
- ※5 : 请只在MPL时选择。
- ※6 : B port尺寸“25”的0.7MPa规格不生产。

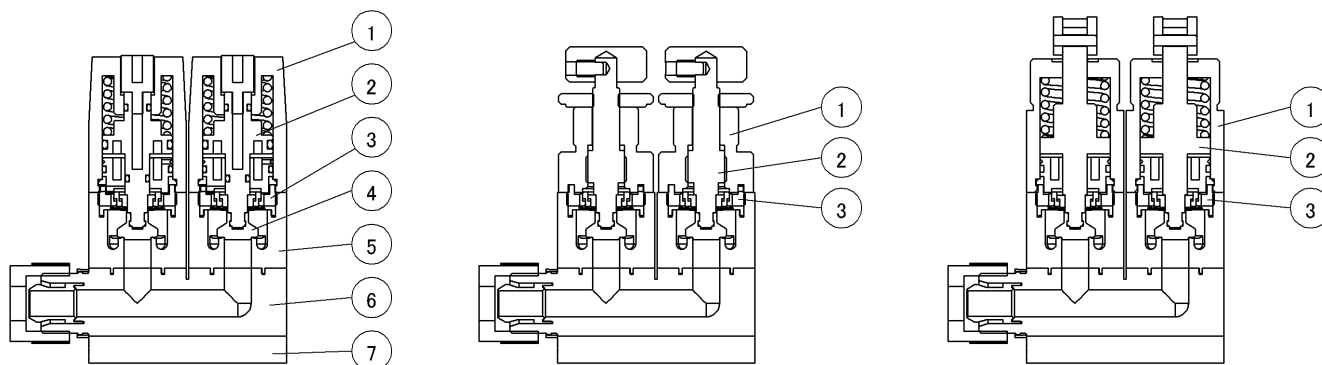
Manifold

Tube Fitting

3-Way

Tube Fitting

## 内部构造 (Internal structure)



品号 (No)	零件名 (Parts name)	材质 (Material)
①	外壳 (Case)	PP
②	活塞 (Piston), 升降件 (Shaft)	PP
③	填料式旋塞阀 (Stuffing)	PP
④	薄膜 (Diaphragm)	PTFE
⑤	子体 (Sub body)	PTFE
⑥	主体 (Main body)	PTFE
⑦	底座 (Base)	PP

## 规格 (Specifications)

使用流体 (Fluid)	化学品·纯水·气体 (Chemical liquid, DIW, Gas) ※1			
流体温度 (Fluid temperature range)	10~100°C			
大气温度 (Atmospheric temperature)	0~40°C			
液体流动部分的材质 (Materials of liquid flowed parts)	本体 (Body)	: PTFE		
	薄膜 (Diaphragm)	: PTFE		
B port 尺寸 (B port size)	10 (3/8")	15 (1/2")	20 (3/4")	25 (1")
流通孔 (Orifice)	Φ8	Φ10	Φ16	Φ22

付加功能 (Additional function)	ON/OFF / Flow adjustment	Manual	Toggle
操作方式 (Operating system)	单动式 (Spring return actuation)	手动式 (Manual type)	手动肘节式 (Toggle type)
操作压力 (Pneumatic supply pressure)			
0.3MPa规格 (0.3MPa specification)			
0.5MPa规格 (0.5MPa specification)	0.45~0.6MPa		
0.7MPa规格 (0.7MPa specification)			

流体压力 (Fluid pressure range)	ON/OFF / Flow adjustment / Toggle ※2				Manual
	10 (3/8")	15 (1/2")	20 (3/4")	25 (1")	
0.3MPa规格 (0.3MPa specification)	A port→B port	0~0.3MPa			0~0.5MPa
	B port→A port	0~0.3MPa	0~0.2MPa	0~0.1MPa	0~0.5MPa
0.5MPa规格 (0.5MPa specification)	A port→B port	0~0.5MPa			0~0.5MPa
	B port→A port	0~0.5MPa			0~0.5MPa
0.7MPa规格 (0.7MPa specification)	A port→B port	0~0.7MPa		—	0~0.7MPa
	B port→A port	0~0.7MPa		—	0~0.7MPa

注释 (Note)

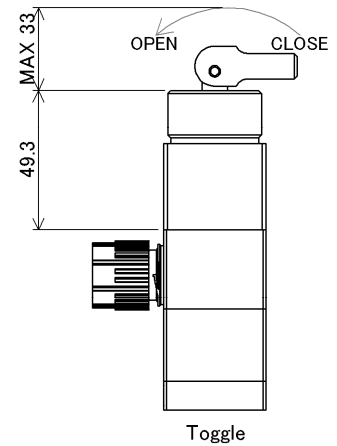
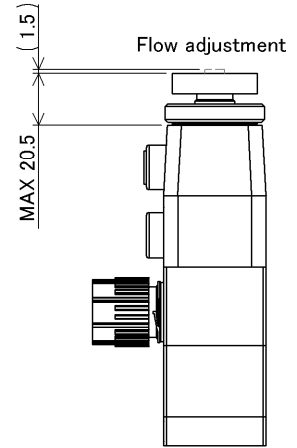
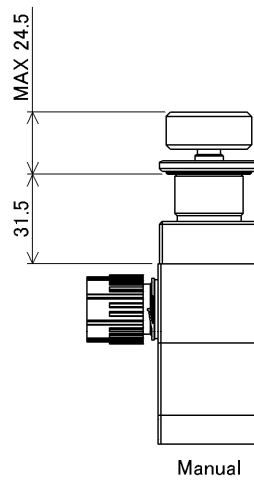
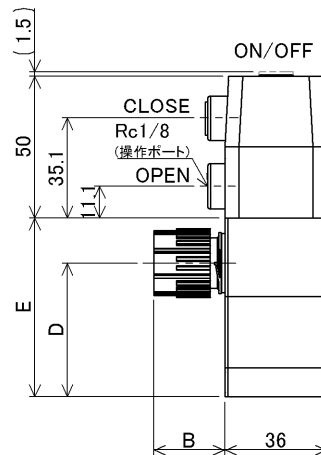
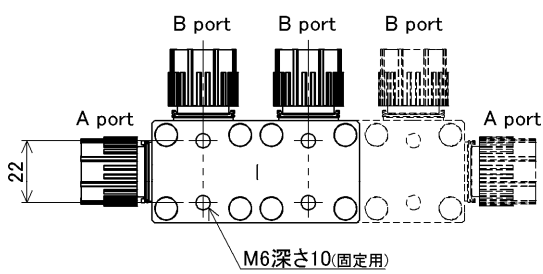
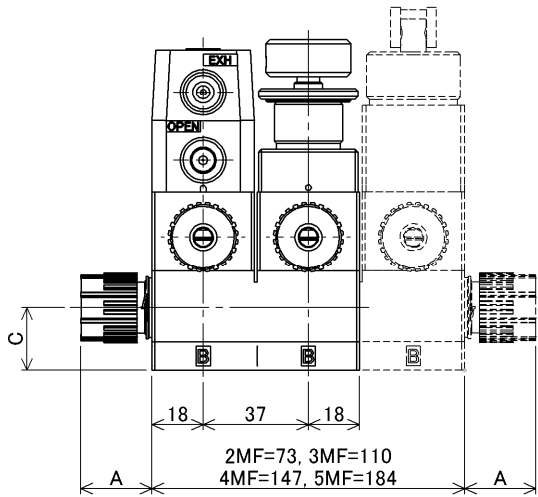
※1: 气体在最大1cm<sup>3</sup>/min的时候, 有可能会发生阀底座泄露

※2: B port尺寸“25”的肘节不生产。

尺寸 (Dimensions)

- ▶ B port size :  $\Phi 10 \times \Phi 8$
- ▶ B port size :  $3/8'' (\times 1/4'')$

ML MPL □ - □□□ 10 - □□ - □□ - □ - □ - □



Manual

Toggle

Manifold

Tube Fitting

3-Way

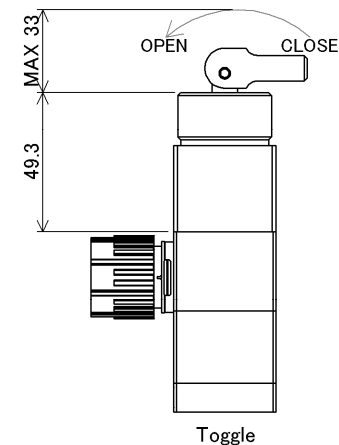
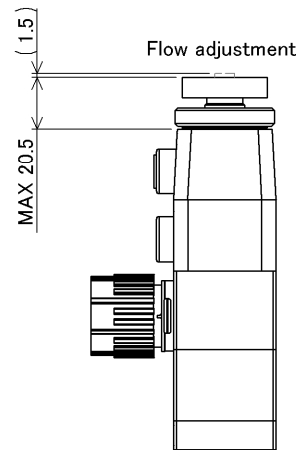
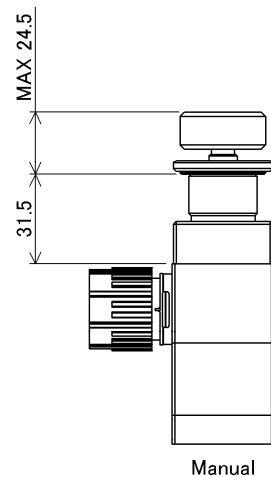
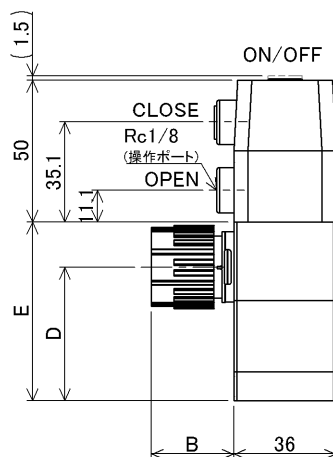
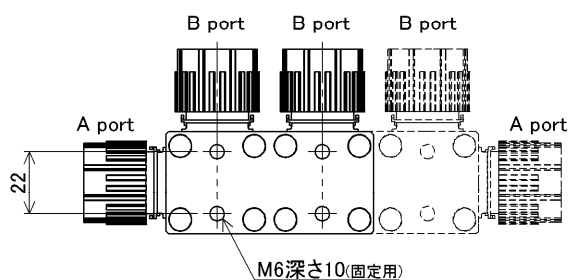
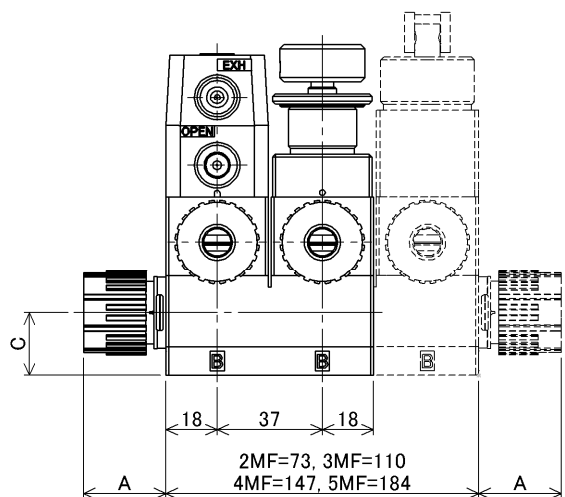
Tube Fitting

连接方式 (Connection method)	A port size			B	A port size								
	10	15	20		10			15			20		
	A				C	D	E	C	D	F	C	D	E
Flowell 20series	21	25	31	21	22	47	63	22	47	63	26	57	73
Flowell 20Aseries	21	25	31	21	22	47	63	22	47	63	26	57	73
Flowell 60series	39	39	44	39	22	47	63	22	47	63	26	57	73
Flowell 80series	25.5	29	36.5	25.5	22	47	63	24	50	66	26	57	73
Pillar Super fitting	26.5	30	39.5	26.5	22	47	63	22	47	63	26	57	73
Pillar Super 300	25	29	36	25	22	47	63	22	47	63	26	57	73
Pillar Super flare	24.8	28.8	35.8	24.8	22	47	63	22	47	63	26	57	73
Kurabo Final lock	29	30	34.5	29	22	47	63	22	47	63	26	57	73
Kurabo K-Fitter	20	23	27	20	22	47	63	22	47	63	26	57	73
Bueno Fit-One	27.7	32	41	27.7	22	47	63	22	47	63	26	57	73
Flare Type	31.8	33.8	36.8	31.8	22	47	63	22	47	63	26	57	73
Tube Type	24	25	30	24	22	47	63	22	47	63	26	57	73

尺寸 (Dimensions)

- ▶ B port size :  $\Phi 12 \times \Phi 10$
- ▶ B port size : 1/2" ( $\times 3/8$ " )

ML □ - □□□ 15 - □□ - □□ - □ - □ - □



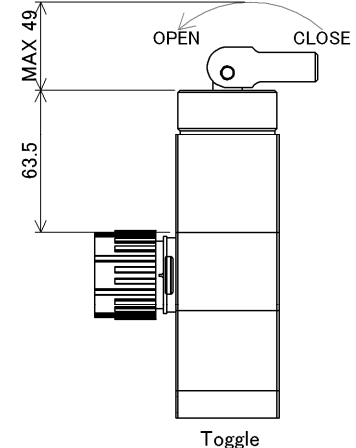
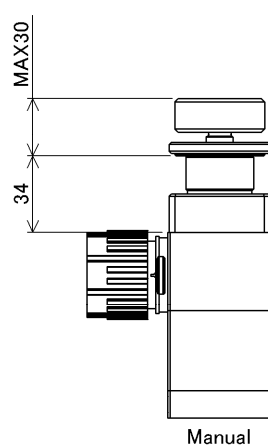
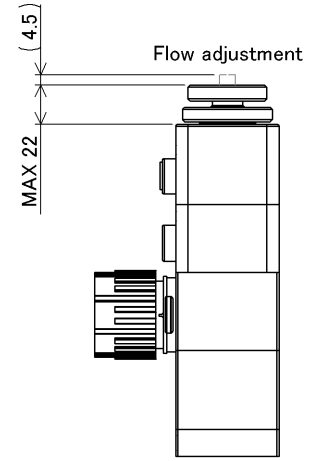
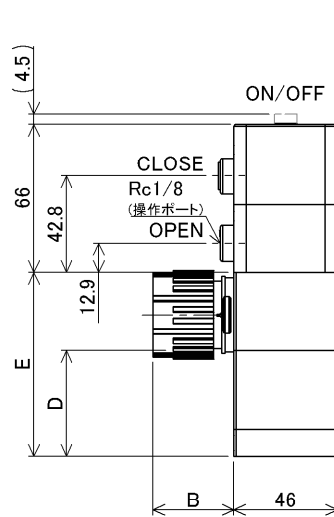
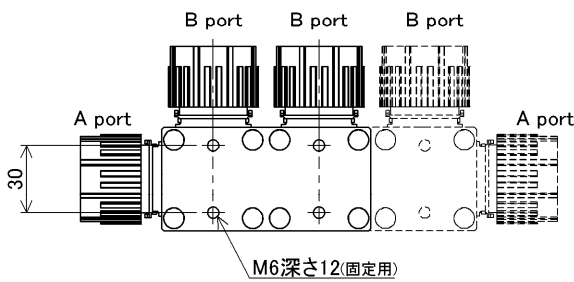
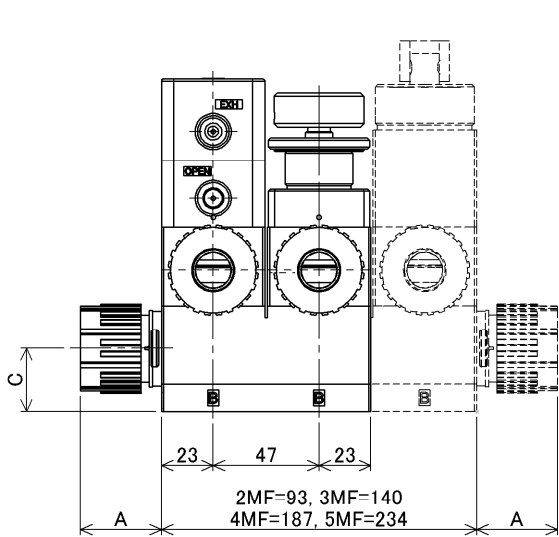
连接方式 (Connection method)	A port size		A port size						
	15	20	15			20			
	A	B	C	D	F	C	D	E	
Flowell 20series	25	31	25	22	47	63	26	57	73
Flowell 20Aseries	25	31	25	22	47	63	26	57	73
Flowell 60series	39	44	39	22	47	63	26	57	73
Flowell 80series	29	36.5	29	24	52	68	26	59	75
Pillar Super fitting	30	39.5	30	22	47	63	26	57	73
Pillar Super 300	29	36	29	22	47	63	26	57	73
Pillar Super flare	28.8	35.8	28.8	22	47	63	26	57	73
Kurabo Final lock	30	34.5	30	22	47	63	26	57	73
Kurabo K-Fitter	23	27	23	22	47	63	26	57	73
Bueno Fit-One	32	41	32	22	47	63	26	57	73
Flare Type	33.8	36.8	33.8	22	47	63	26	57	73
Tube Type	25	30	25	22	47	63	26	57	73

尺寸 (Dimensions)

- ▶ B port size :  $\Phi 19 \times \Phi 16$
- ▶ B port size :  $3/4" (\times 5/8")$

ML □ - □□□ 20 - □□ - □□ - □ - □ - □

MPL □ - □□□ 20 - □□ - □□ - □ - □ - □



连接方式 (Connection method)	A port size		B	A port size					
	20	25		20			25		
	A		C	D	E	C	D	E	
Flowell 20series	31	42	31	28	63	82	34	73	92
Flowell 20Aseries	31	42	31	28	63	82	34	73	92
Flowell 60series	44	51	44	28	63	82	34	73	92
Flowell 80series	36.5	39	36.5	28	63	82	34	73	92
Pillar Super fitting	39.5	45	39.5	28	63	82	34	73	92
Pillar Super 300	36	43	36	28	63	82	34	73	92
Pillar Super flare	35.8	41.5	35.8	28	63	82	34	73	92
Kurabo Final lock	34.5	39.5	34.5	28	63	82	34	73	92
Kurabo K-Fitter	27	31	27	28	63	82	34	73	92
Bueno Fit-One	41	48	41	28	63	82	34	73	92
Flare Type	36.8	45	36.8	28	63	82	34	73	92
Tube Type	30	40	30	28	63	82	34	73	92

Manifold

Tube Fitting

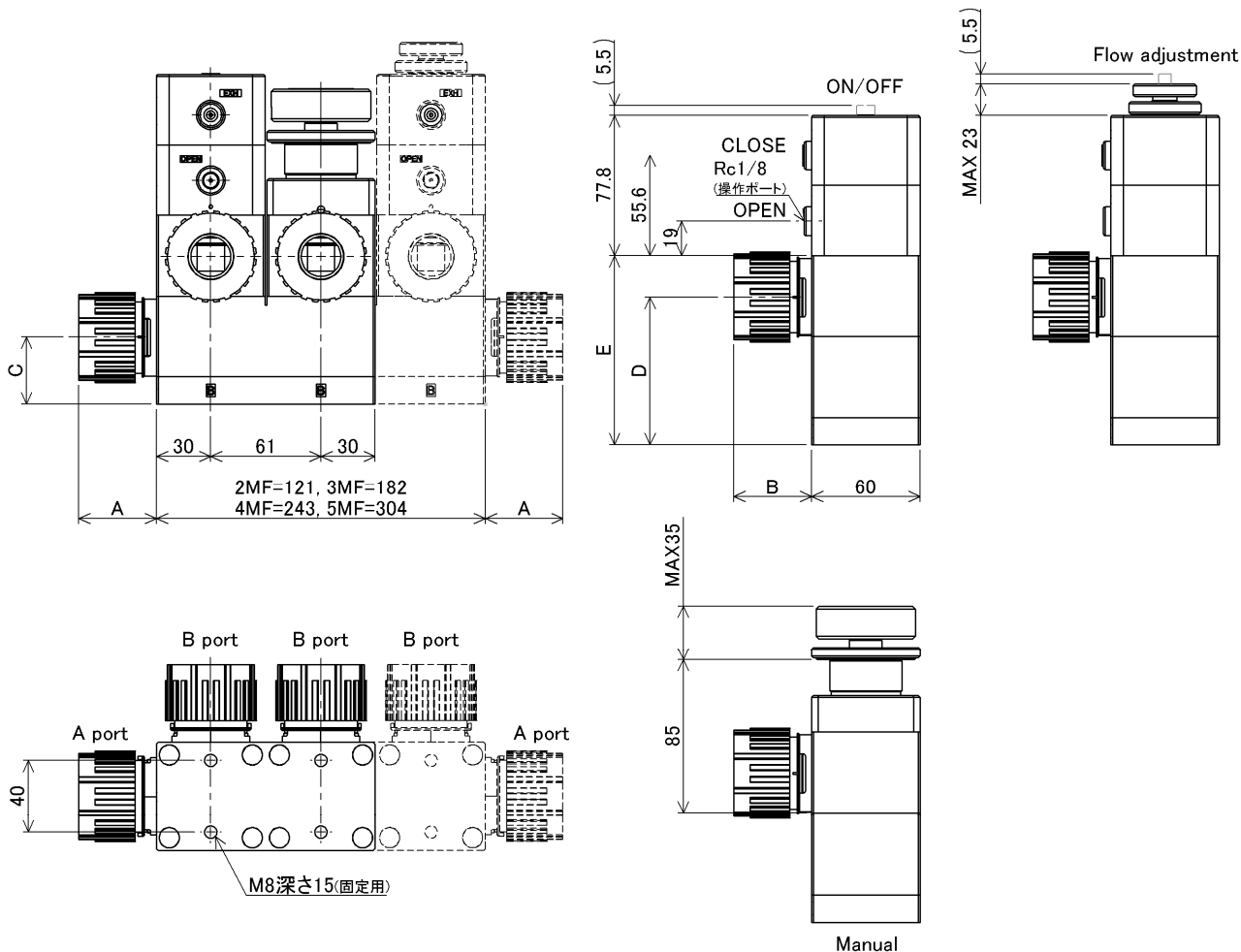
3-Way

Tube Fitting

尺寸 (Dimensions)

- ▶ B port size :  $\Phi 25 \times \Phi 22$
- ▶ B port size : 1" ( $\times 7/8$ " )

ML MPL □ - □□□ 25 - □□ - □□ - □ - □ - □



连接方式 (Connection method)	A	B	C	D	E
Flowell 20series	42	42	37	82	105
Flowell 20Aseries	42	42	37	82	105
Flowell 60series	51	51	37	82	105
Flowell 80series	39	39	37	82	105
Pillar Super fitting	45	45	37	82	105
Pillar Super 300	43	43	37	82	105
Pillar Super flare	41.5	41.5	37	82	105
Kurabo Final lock	39.5	39.5	37	82	105
Kurabo K-Fitter	31	31	37	82	105
Bueno Fit-One	48	48	37	82	105
Flare Type	45	45	37	82	105
Tube Type	40	40	37	82	105

ML, MPL