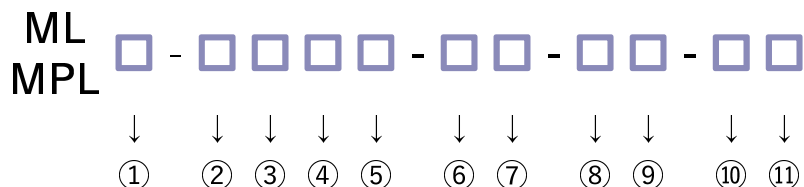


歧管阀 (Manifold Valves)

- 分离式本体的生产效率更高，比一体型价格更低，交期更短。
- 配管时更省空间。
- 接流体部全部都是氟化乙烯树脂(PFA/PTFE)，抗腐蚀。
- 超低粉尘清理(表面粗糙度加工、精密洗净、积液少设计)。

型号表示方法 (How to order)



ML : 0.5MPa规格 (0.5MPa specification)
MPL : 0.7MPa规格 (0.7MPa specification)

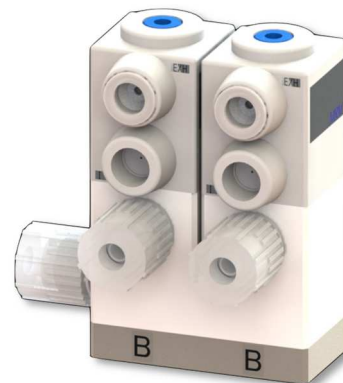
型号选定例 (Model Number Selection example)

MPL2-8SA43-29-T10-EM

: 0.7MPa specification, Pillar Super 300, EPDM, M5
A port – Right position, $\Phi 8 \times \Phi 6$ (mm)
B port1 – $\Phi 4 \times \Phi 3$ (mm), Toggle
B port2 – $\Phi 4 \times \Phi 3$ (mm), NC, Flow adjustment
B port3 – $\Phi 4 \times \Phi 3$ (mm), NO, ON/OFF

ML3-8SB6-MMT

: 0.5MPa specification, Pillar Super 300
A port – Both position, $1/4'' (\times 1/8'')$
B port1 – $1/8'' (\times 0.086'')$, Manual
B port2 – $1/8'' (\times 0.086'')$, Manual
B port3 – $1/8'' (\times 0.086'')$, Toggle



① A port 位置 (A port position)

1	左侧 (Left position)	
2	右侧 (Right position)	
3	两侧 (Both position)	

◎ : 标准在库品 (Standard stock)
○ : 受注生产品 (Made to order)
— : 无在库 (Not stock)

② A port 尺寸 (A port size)		—				8		86		10		15	
⑤ B port 尺寸 (B port size)		6		43		8		86		—			
	mm	Φ3 × Φ2		Φ4 × Φ3		Φ6 × Φ4		Φ8 × Φ6		Φ10 × Φ8		Φ12 × Φ10	
	inch	1/8" (×0.086")		—		1/4" (×5/32")		—		3/8" (×1/4")		1/2" (×3/8")	
③ 连接方式 (Connection method)		mm	inch	mm	inch	mm	inch	mm	inch	mm	inch	mm	inch
F	Flowell 20series	○	○	○	—	○	○ ※1	○	—				
R	Flowell 60series	○	○	○	—	○	○	○	—	○	○	○	○
H	Flowell 80series	—	—	—	—	○	○	—	—	○	○	○	○
P	Pillar Super fitting	○	○	○	—	○	○	—	—	○	○	○	○
S	Pillar Super 300	○	○	○	—	○	○	○	—	○	○	○	○
L	Pillar Super flare	—	—	—	—	○	○	○	—	○	○	○	○
K	Kurabo Final lock	—	—	—	—	○	○	—	—	○	○	○	○
C	Kurabo K-Fitter	—	—	—	—	○	○	—	—	○	○	○	○
B	Bueno Fit-One	—	—	—	—	○	○	○	—	○	○	○	○
X	Flare Type	—	—	—	—	—	○	—	—	—	○	—	○
T	Tube Type	—	—	—	—	○	○	○	—	○	○	○	○

④ 管道规格 (Tube Standard)

A	mm
B	inch

⑥ B port1 制动方式 (B port1 operation method) ※2 ※3

2	NC (Normal Close)
9	NO (Normal Open)
(No sign)	Manual or Toggle

⑧ B port1 附加功能 (B port1 additional function) ※2 ※3

0	ON/OFF
1	流量调整功能 (Flow adjustment)
M	手动式 (Manual type)
T	手动肘节式 (Toggle type)

⑩ O-Ring ※5

(No sign)	FKM
V	DAI-EL G902
E	EPDM

⑦ B port2 制动方式 (B port2 operation method) ※2 ※3

2	NC (Normal Close)
9	NO (Normal Open)
(No sign)	Manual or Toggle

⑨ B port2 附加功能 (B port2 additional function) ※2 ※3

0	ON/OFF
1	流量调整功能 (Flow adjustment)
M	手动式 (Manual type)
T	手动肘节式 (Toggle type)

⑪ 操作 (Operation port)

(No sign)	Rc1/8
M	M5

注释 (Note)

- ※1 : 配管尺寸为1/4" (× Φ 4.3)。
- ※2 : 请指定阀门的连接数。(例) 3连, NC, ON/OFF : 222-000
- ※3 : 请参照① A port位置来指定B port1。
- ※4 : 虽不接触流动的液体, 但如有腐蚀性高的流体时请选择。

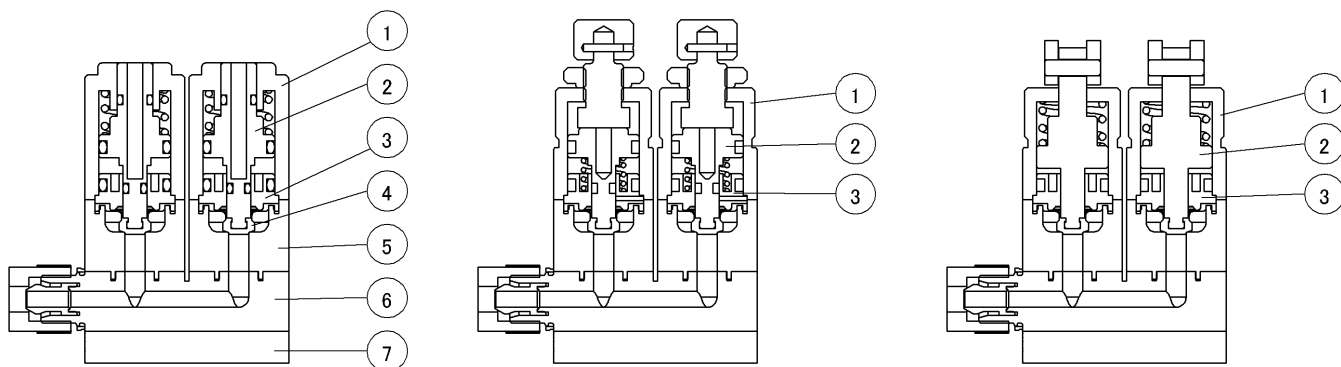
Manifold

Tube Fitting

3-Way

Tube Fitting

内部构造 (Internal structure)



品号 (No)	零件名 (Parts name)	材质 (Material)
①	外壳 (Case)	PP ※1
②	活塞 (Piston), 升降件 (Shaft)	PP
③	填料式旋塞阀 (Stuffing)	PP
④	薄膜 (Diaphragm)	PTFE
⑤	子体 (Sub body)	PTFE
⑥	主体 (Main body)	PTFE
⑦	底座 (Base)	PP

规格 (Specifications)

使用流体 (Fluid)	化学品·纯水·气体 (Chemical liquid, DIW, Gas) ※2			
流体温度 (Fluid temperature range)	10~100°C			
大气温度 (Atmospheric temperature)	0~40°C			
液体流动部分的材质 (Materials of liquid flowed parts)	本体 (Body)	: PTFE		
	薄膜 (Diaphragm)	: PTFE		
B port尺寸 (B port size)	6 (1/8")	43	8 (1/4")	86
流通孔 (Orifice)	Φ5	Φ5	Φ5	Φ6

付加功能 (Additional function)		ON/OFF / Flow adjustment	Manual	Toggle
操作方式 (Operating system)		单动式 (Spring return actuation)	手动式 (Manual type)	手动肘节式 (Toggle type)
操作压力 (Pneumatic supply pressure)				
0.5MPa规格 (0.5MPa specification)	0.35~0.6MPa			
0.7MPa规格 (0.7MPa specification)	0.4~0.6MPa			
流体压力 (Fluid pressure range)				
0.5MPa规格 (0.5MPa specification)	A port→B port	0~0.5MPa	0~0.5MPa	0~0.5MPa
	B port→A port	0~0.4MPa	0~0.5MPa	0~0.4MPa
0.7MPa规格 (0.7MPa specification)	A port→B port	0~0.7MPa	0~0.7MPa	0~0.7MPa
	B port→A port	0~0.7MPa	0~0.7MPa	0~0.7MPa

注释 (Note)

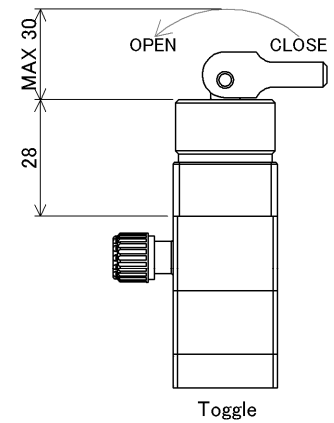
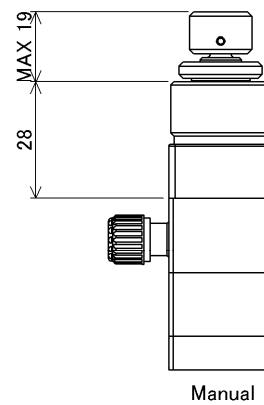
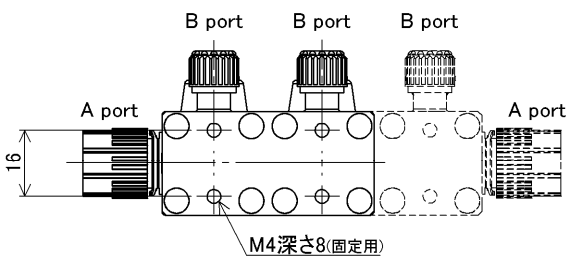
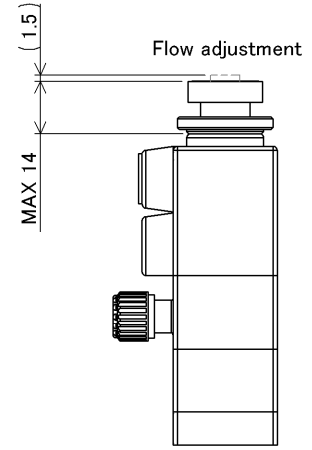
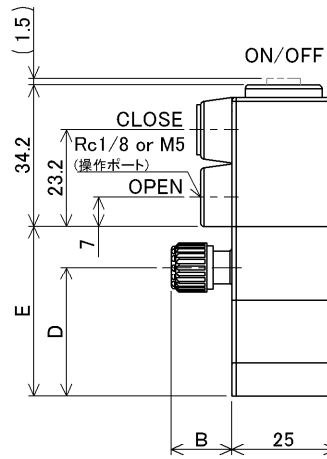
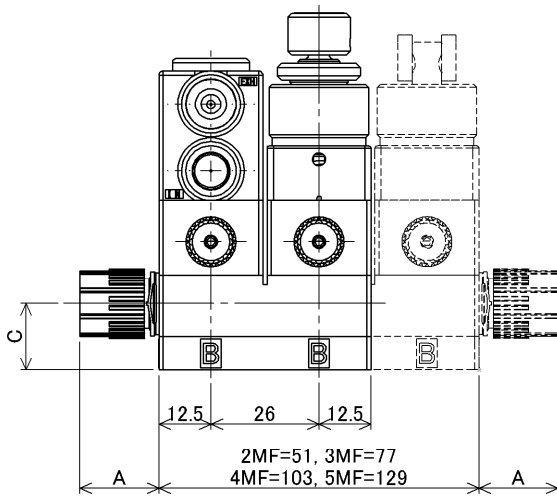
※1: 手动和肘节的材质为PVDF。

※2: 气体在最大1cm³/min的时候, 有可能会发生阀底座泄露。

尺寸 (Dimensions)

- ▶ B port size : $\Phi 3 \times \Phi 2$
- ▶ B port size : 1/8" ($\times 0.086$ ")

ML MPL □ - □□□6 - □□ - □□ - □ - □ - □



连接方式 (Connection method)	A port size				B	A port size								
	8	86	10	15		8			86			10 / 15		
	A					C	D	E	C	D	F	C	D	E
Flowell 20series	17	18	21	25	9	16	31	41	16.5	36	46	20	41	51
Flowell 60series	31	31	39	39	17.5	16	31	41	16.5	36	46	20	41	51
Pillar Super fitting	19.5	—	26.5	30	14.5	16	31	41	—	—	—	20	41	51
Pillar Super 300	19	22	25	29	14.5	16	31	41	16.5	36	46	20	41	51

Manifold

Tube Fitting

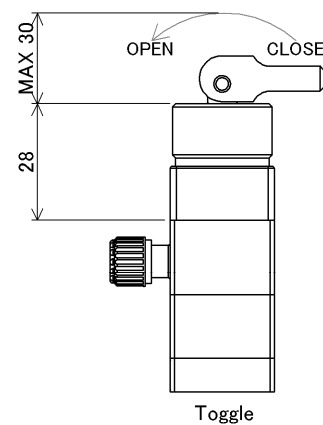
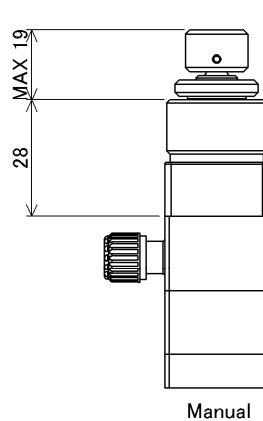
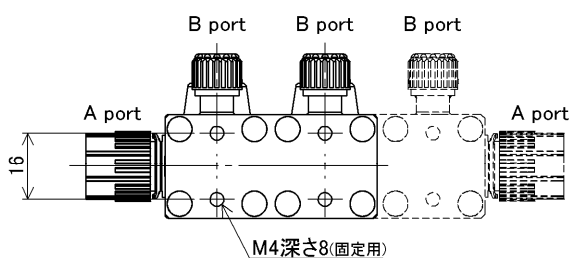
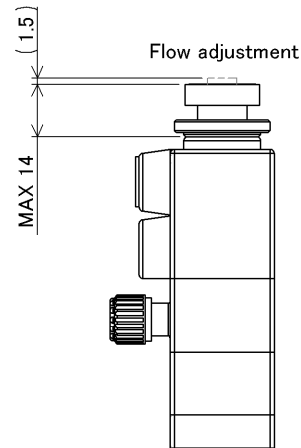
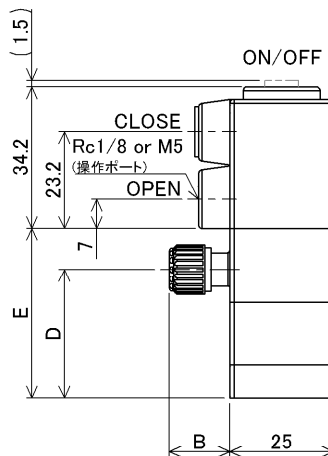
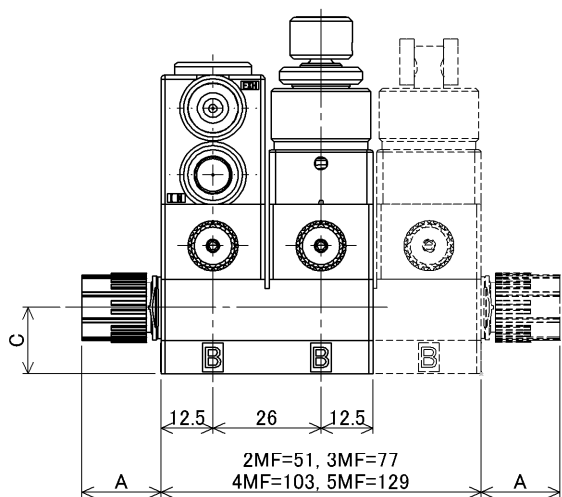
3-Way

Tube Fitting

尺寸 (Dimensions)

▶ B port size : $\Phi 4 \times \Phi 3$

ML MPL □ - □□□43 - □□ - □□ - □ - □ - □

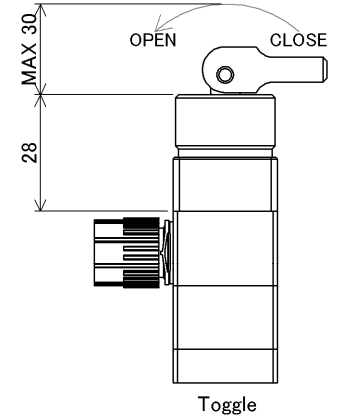
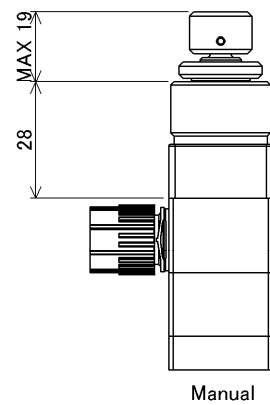
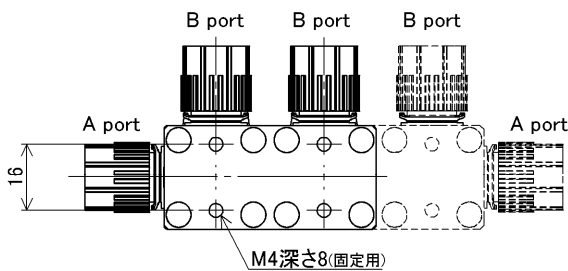
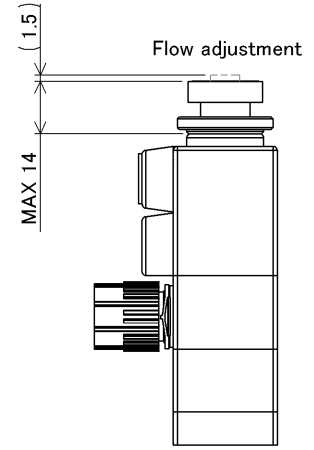
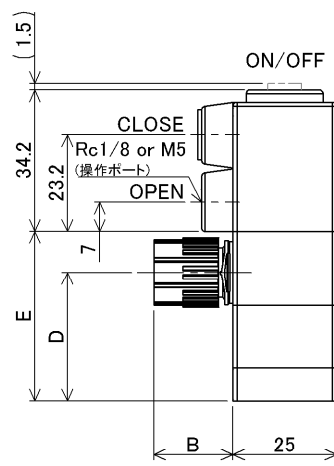
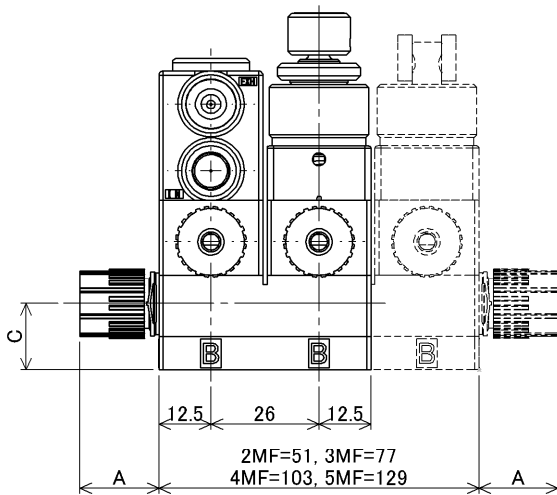


连接方式 (Connection method)	A port size				B	A port size								
	8	86	10	15		8			86			10 / 15		
	A					C	D	E	C	D	F	C	D	E
Flowell 20series	17	18	21	25	11	16	31	41	16.5	36	46	20	41	51
Flowell 60series	31	31	39	39	20.5	16	31	41	16.5	36	46	20	41	51
Pillar Super fitting	19.5	—	26.5	30	14.5	16	31	41	—	—	—	20	41	51
Pillar Super 300	19	22	25	29	14.5	16	31	41	16.5	36	46	20	41	51

尺寸 (Dimensions)

- ▶ B port size : $\Phi 6 \times \Phi 4$
- ▶ B port size : 1/4" ($\times 5/32$ ") , 1/4" ($\times \Phi 4.3$)

ML - 8 - - - -



连接方式 (Connection method)	A port size				B	A port size								
	8	86	10	15		8			86			10 / 15		
	A					C	D	E	C	D	F	C	D	E
Flowell 20series	17	18	21	25	17	16	31	41	16.5	36	46	20	41	51
Flowell 60series	31	31	39	39	31	16	31	41	16.5	36	46	20	41	51
Flowell 80series	20	—	25.5	29	20	16	31	41	—	—	—	20/ 20.5	41	51
Pillar Super fitting	19.5	—	26.5	30	19.5	16	31	41	—	—	—	20	41	51
Pillar Super 300	19	22	25	29	19	16	31	41	16.5	36	46	20	41	51
Pillar Super flare	18.9	20.5	24.8	28.8	18.9	16	31	41	16.5	36	46	20	41	51
Kurabo Final lock	20.5	—	29	30	20.5	16	31	41	—	—	—	20	41	51
Kurabo K-Fitter	20	—	20	23	20	16	31	41	—	—	—	20	41	51
Bueno Fit-One	23.5	27.7	27.7	32	23.5	16	31	41	16.5	36	46	20	41	51
Flare Type	29	—	31.8	33.8	29	16	31	41	—	—	—	20	41	51
Tube Type	17	18	24	25	17	16	31	41	16.5	36	46	20	41	51

Manifold

Tube Fitting

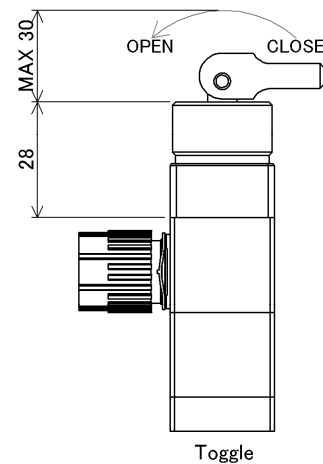
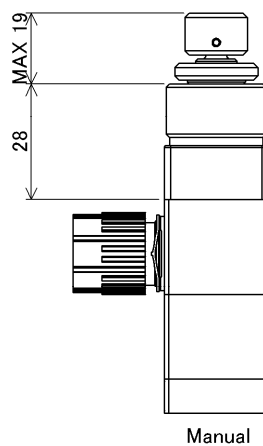
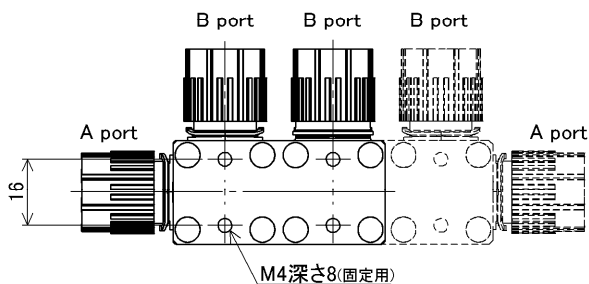
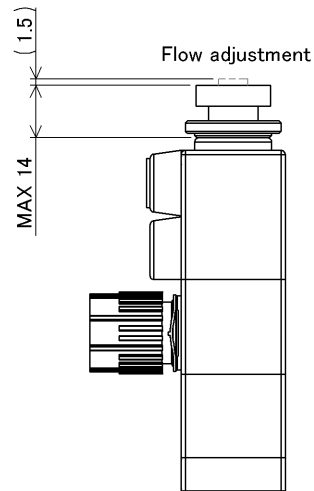
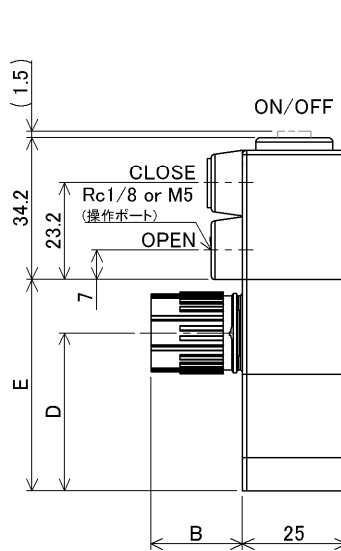
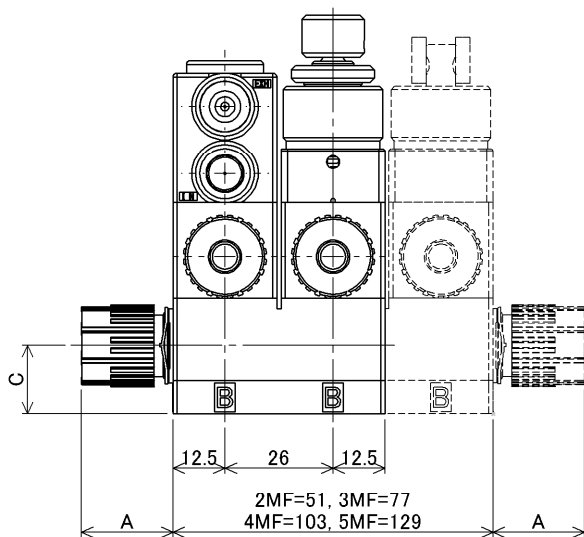
3-Way

Tube Fitting

尺寸 (Dimensions)

▶ B port size : $\Phi 8 \times \Phi 6$

ML □ - □□□ **86** - □□ - □□ - □ - □ - □



连接方式 (Connection method)	A port size				B	86			10 / 15		
	8	86	10	15		C	D	F	C	D	E
Flowell 20series	17	18	21	25	18	16.5	38	51	20	43	56
Flowell 60series	31	31	39	39	31	16.5	38	51	20	43	56
Pillar Super 300	19	22	25	29	22	16.5	38	51	20	43	56
Pillar Super flare	18.9	20.5	24.8	28.8	20.5	16.5	38	51	20	43	56
Bueno Fit-One	23.5	27.7	27.7	32	27.7	16.5	38	51	20	43	56
Tube Type	17	18	24	25	18	16.5	38	51	20	43	56

ML, MPL