

回吸阀 (Suck back Valves)

- 调整手阀可控制回吸量。
- 配管时更省空间。
- 接流体部全部都是氟化乙烯树脂(PFA/PTFE)，抗腐蚀。
- 超低粉尘处理(表面粗糙度加工、精密洗净、积液少设计)。

型号表示方法 (How to order)

回吸阀

MSV - □ TF - □ □ - □ □ □ □

↓ ↓ ↓ ↓ ↓ ↓ ↓

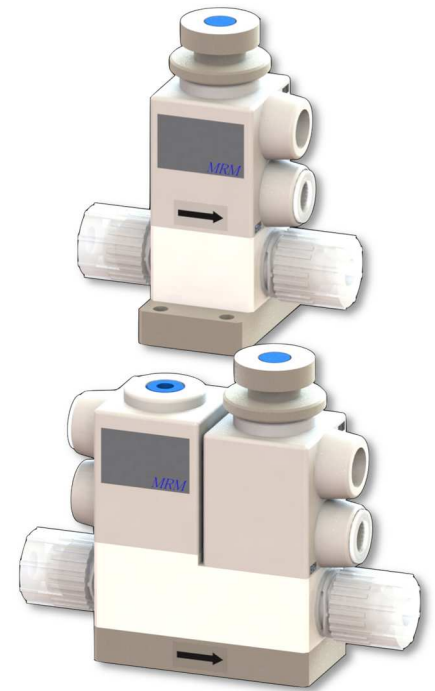
① ② ③ ⑤ ⑥ ⑦ ⑧

气动阀一体型

MLSV - □ TF - □ □ - □ - □ □

↓ ↓ ↓ ↓ ↓ ↓

① ② ③ ④ ⑤ ⑦



型号选定例 (Model Number Selection example)

MSV-4TF3-SA-E1B

: $\Phi 4 \times \Phi 3$ (mm), Pillar Super 300, EPDM, Bottom mounting

MLSV-6TF-SB-1-M

: $1/8''(\times 0.086'')$, Pillar Super 300, Flow adjustment, M5

- ◎ : 标准在庫品 (Standard stock)
 ○ : 受注生産品 (Made to order)
 — : 无在庫 (Not stock)

① 阀门尺寸 (Valve size)		6		4TF3 ※1		8	
	mm	$\Phi 3 \times \Phi 2$		$\Phi 4 \times \Phi 3$		$\Phi 6 \times \Phi 4$, N4	
	inch	$1/8''(\times 0.086'')$				$1/4''(\times 5/32'')$	
② 连接方式 (Connection method)		mm	inch	mm	inch	mm	inch
F	Flowell 20series	○	○	○	—	○	○ ※2
R	Flowell 60series	○	○	○	—	○	○
H	Flowell 80series	—	—	—	—	○	○
P	Pillar Super fitting	○	○	○	—	○	○
S	Pillar Super 300	○	○	○	—	○	○
L	Pillar Super flare	—	—	—	—	○	○
K	Kurabo Final lock	—	—	—	—	○	○
C	Kurabo K-Fitter	—	—	—	—	○	○
B	Bueno Fit-One	—	—	—	—	○	○
X	Flare Type	—	—	—	—	—	○
NL	Yodogawa Nano Link system	—	—	—	—	○ ※3	—
T	Tube Type	—	—	—	—	○	○

③ 管道规格 (Tube Standard)	
A	mm
B	inch

④ 附加功能 (Additional function)	
0	ON/OFF
1	流量调整功能 (Flow adjustment)

注释 (Note)

※1: "TF"的前后请分别记入"4"和"3"活"8"和"6"。

※2: 配管尺寸为 $1/4''(\times \Phi 4.3)$ 。

※3: 管道规格不记载, 只记载NL。(例) N4 : 8TF-NL

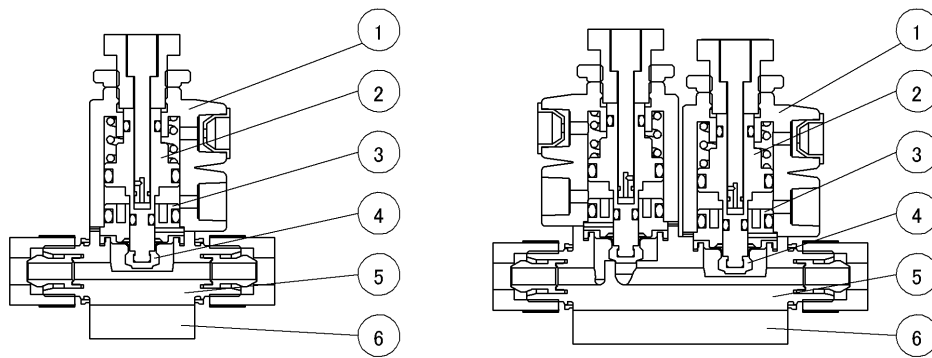
⑤ O-Ring ※1	
(No sign)	FKM
V	DAI-EL G902
E	EPDM

⑦ 操作 (Operation port)	
(No sign)	Rc1/8
M	M5

⑥ 执行器方向 (Direction of actuator)	
1	
2	
3	
4	

⑧ 固定 (Mounting)	
(No sign)	法兰固定 (Flange mounting)
B	底座固定 (Bottom mounting)

内部构造 (Internal structure)



品名 (No)	零件名 (Parts name)	材质 (Material)
①	外壳 (Case)	PP
②	活塞 (Piston)	PP
③	填料式旋塞阀 (Stuffing)	PP
④	薄膜 (Diaphragm)	PTFE
⑤	本体 (Body)	PTFE
⑥	底座 (Base)	PP

规格 (Specifications)

使用流体 (Fluid)	化学品·纯水·气体 (Chemical liquid, DIW, Gas) ※2		
流体温度 (Fluid temperature range)	10~100°C		
雰囲気温度 (Atmospheric temperature)	0~40°C		
液体流动部分的材质 (Materials of liquid flowed parts)	本体 (Body)	: PTFE	
	薄膜 (Diaphragm)	: PTFE	
操作方式 (Operating system)	单动式 (Spring return actuation)		
操作压力 (Pneumatic supply pressure)	0.35~0.6MPa		
最大回吸量 (Amount of maximum suction)	0.12~0.13cc		
阀门尺寸 (Valve size)	6 (1/8")	4TF3	8 (1/4")
流通孔 (Orifice)	Φ5	Φ5	Φ5
流体压力 (Fluid pressure range)			
0.5MPa规格 (0.5MPa specification)	IN→OUT	0~0.5MPa	
	背压 (Back pressure)	0~0.4MPa	

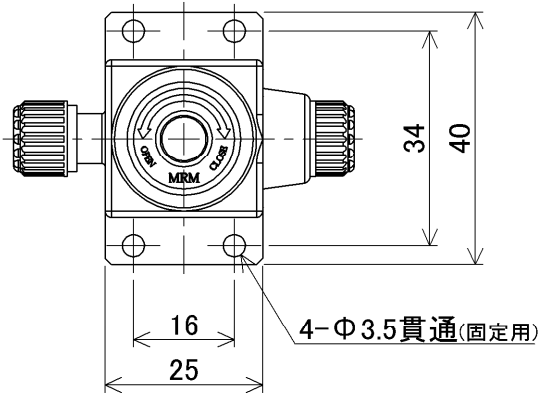
注释 (Note)

※1: 虽不接触流体, 但在有腐蚀性高的流体时请选择。
 ※2: 气体在最大1cm³/min的时候, 有可能会发生阀底座泄露。

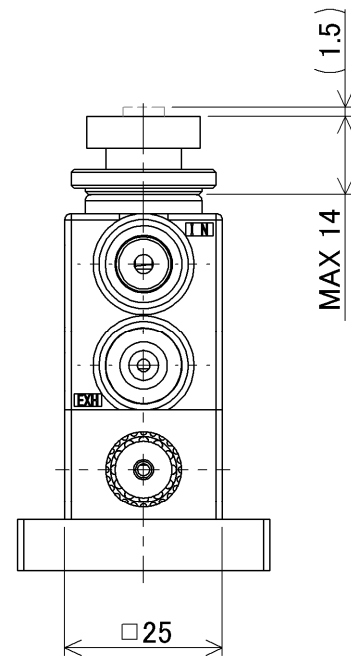
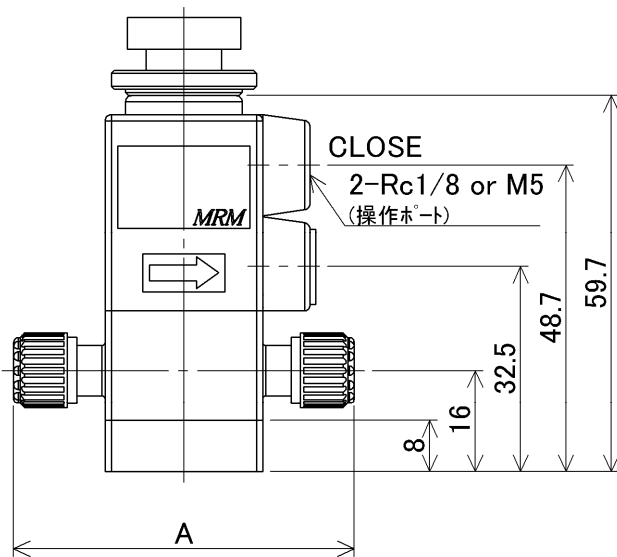
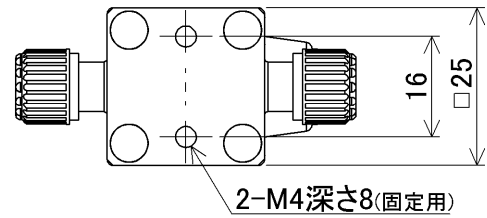
尺寸 (Dimensions)

- ▶ $\Phi 3 \times \Phi 2$
- ▶ 1/8" ($\times 0.086$ ")

MSV - 6 TF - □□ - □□□□



底面取付 (Bottom mounting)

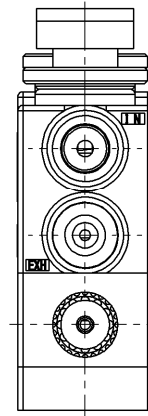
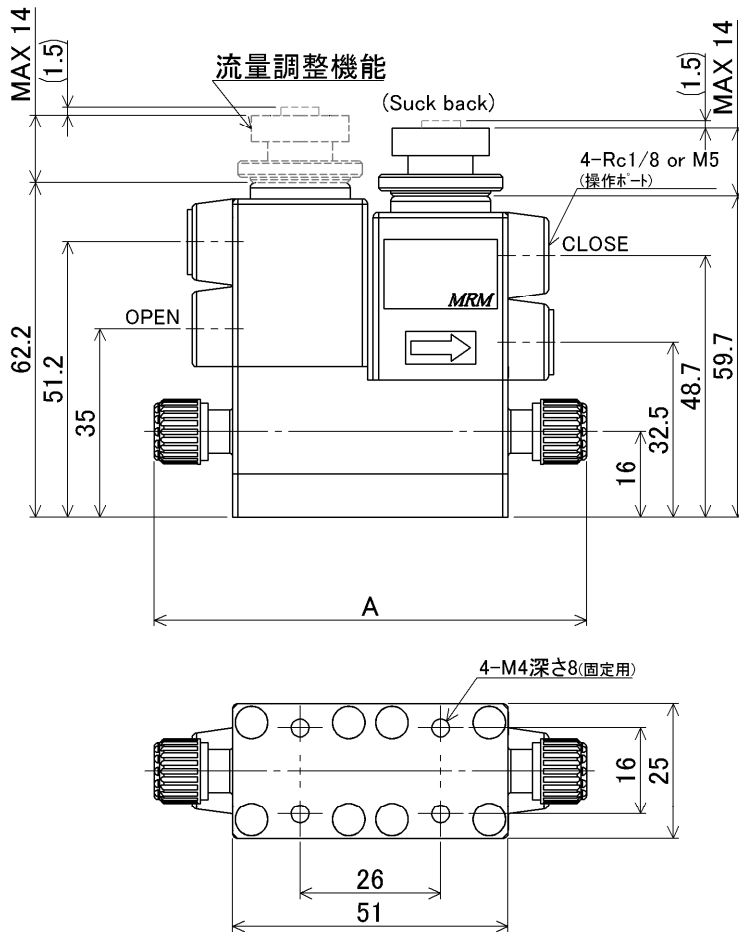


连接方式 (Connection method)	A
Flowell 20series	43
Flowell 60series	60
Pillar Super fitting	54
Pillar Super 300	54

尺寸 (Dimensions)

- ▶ $\Phi 3 \times \Phi 2$
- ▶ 1/8" ($\times 0.086$ ")

MLSV - 6 TF - □□ - □ - □□



Suck back Valves

Check Valves

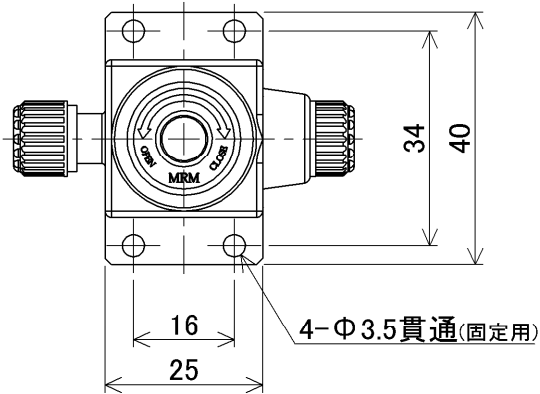
Relief Valves

连接方式 (Connection method)	A
Flowell 20series	69
Flowell 60series	86
Pillar Super fitting	80
Pillar Super 300	80

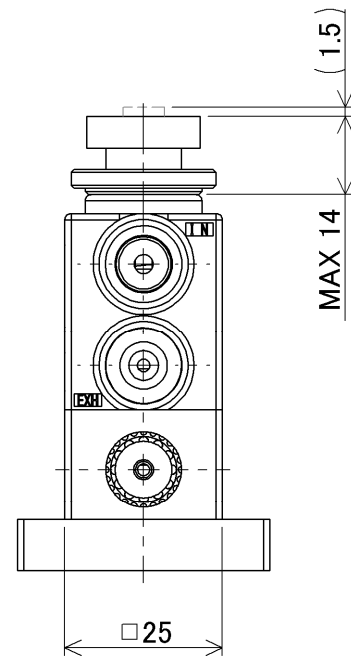
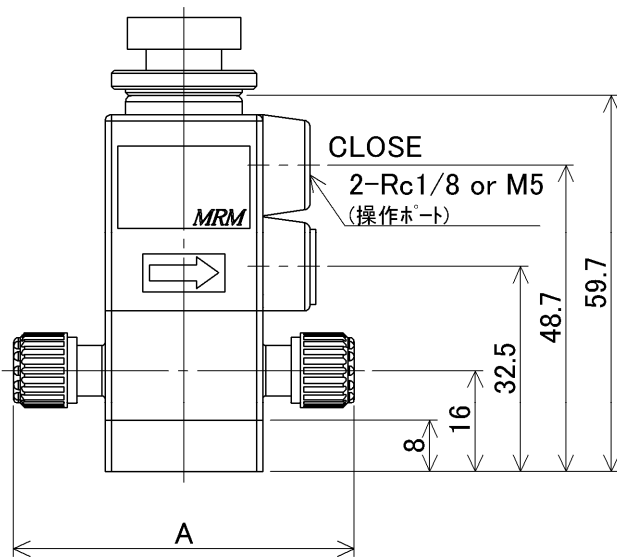
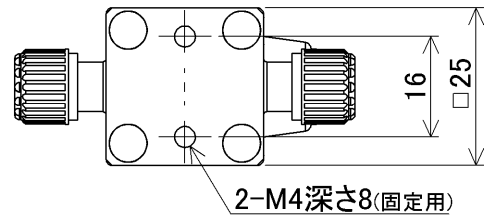
尺寸 (Dimensions)

▶ $\Phi 4 \times \Phi 3$

MSV - 4 TF 3 - □□ - □□□□



底面取付 (Bottom mounting)

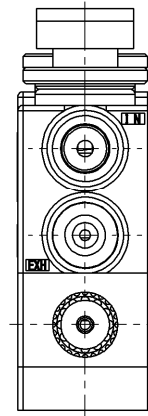
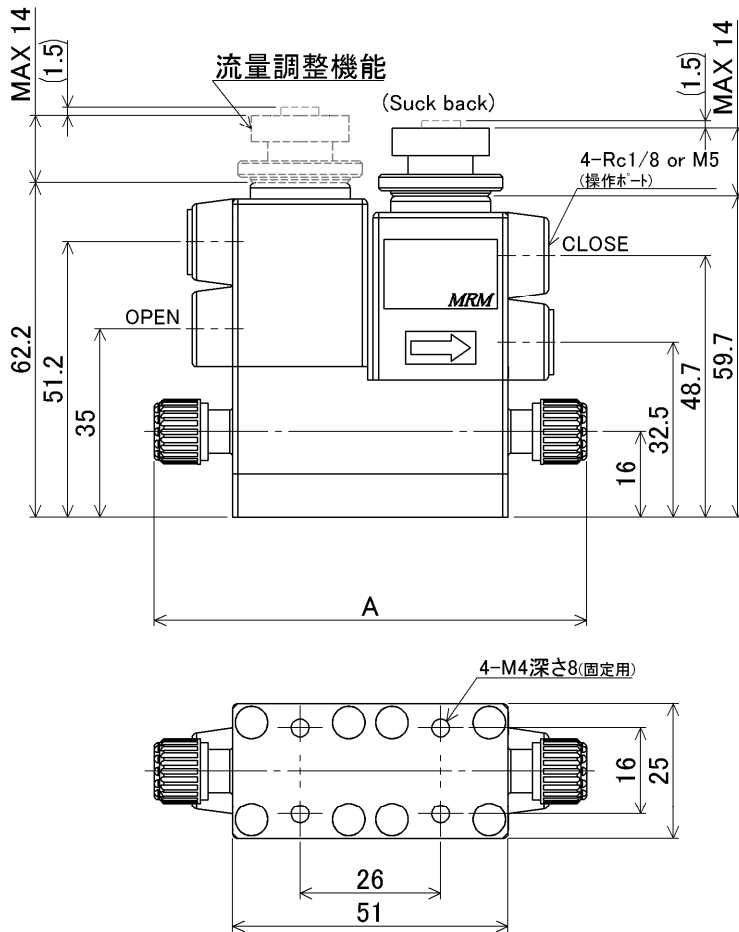


连接方式 (Connection method)	A
Flowell 20series	47
Flowell 60series	66
Pillar Super fitting	54
Pillar Super 300	54

尺寸 (Dimensions)

▶ $\Phi 4 \times \Phi 3$

MLSV - 4 TF 3 - □□ - □ - □□



Suck back Valves

Check Valves

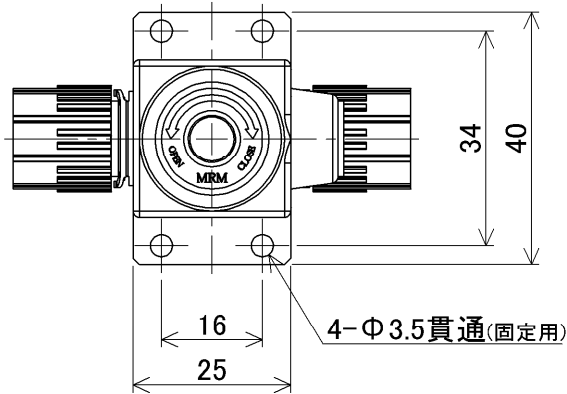
Relief Valves

连接方式 (Connection method)	A
Flowell 20series	73
Flowell 60series	92
Pillar Super fitting	80
Pillar Super 300	80

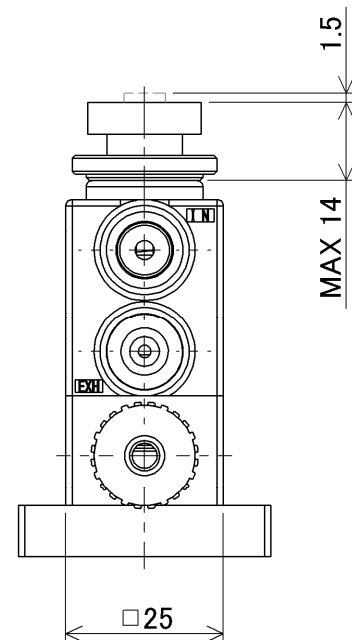
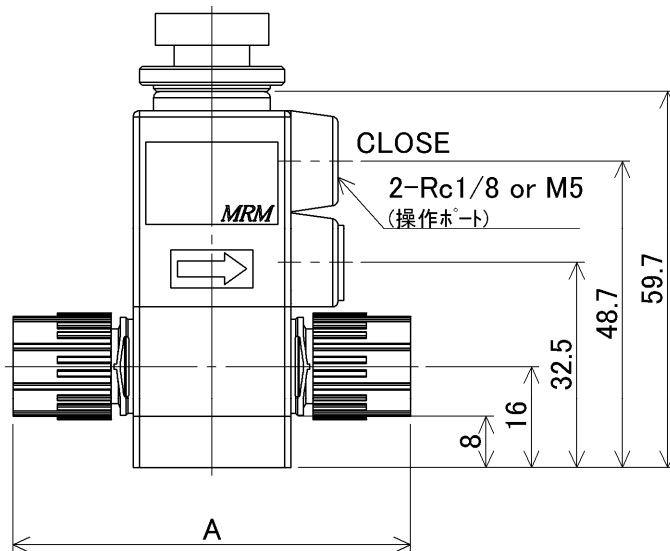
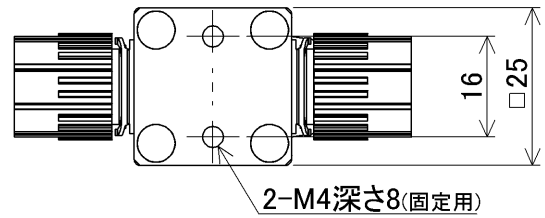
尺寸 (Dimensions)

- ▶ $\Phi 6 \times \Phi 4$, N4
- ▶ $1/4''(\times 5/32'')$, $1/4''(\times \Phi 4.3)$

MSV - 8 TF - □□ - □□□□



底面取付 (Bottom mounting)

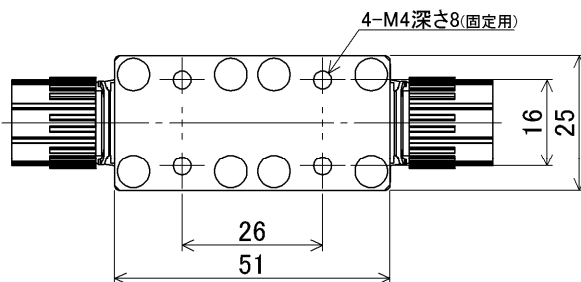
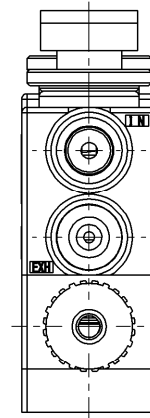
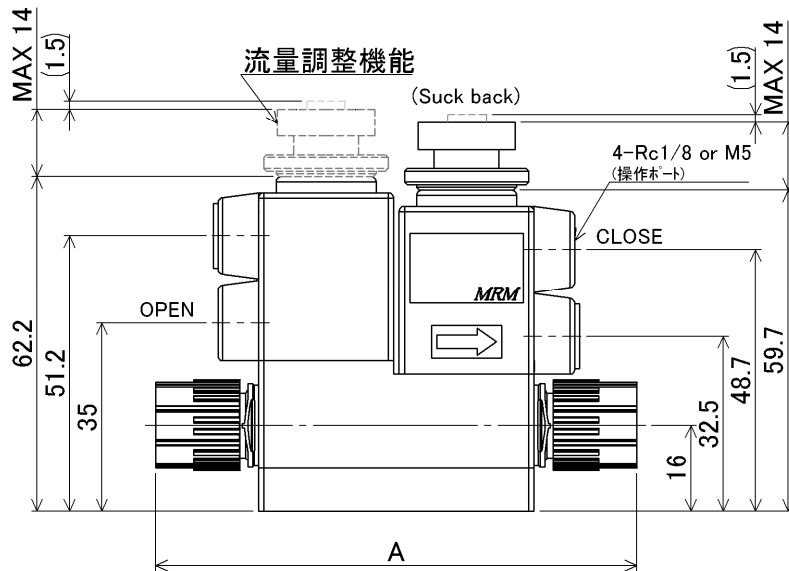


连接方式 (Connection method)	A
Flowell 20series	59
Flowell 60series	87
Flowell 80series	65
Pillar Super fitting	64
Pillar Super 300	63
Pillar Super flare	62.8
Kurabo Final lock	66
Kurabo K-Fitter	65
Bueno Fit-One	72
Flare Type	83
Nano Link system	47.4
Tube Type	59

尺寸 (Dimensions)

- ▶ $\Phi 6 \times \Phi 4$, N4
- ▶ $1/4''(\times 5/32'')$, $1/4''(\times \Phi 4.3)$

MLSV - 8 TF - □□ - □ - □□



连接方式 (Connection method)	A
Flowell 20series	85
Flowell 60series	113
Flowell 80series	91
Pillar Super fitting	90
Pillar Super 300	89
Pillar Super flare	88.8
Kurabo Final lock	92
Kurabo K-Fitter	91
Bueno Fit-One	98
Flare Type	109
Nano Link system	73.4
Tube Type	85

Suck back Valves

Check Valves

Relief Valves