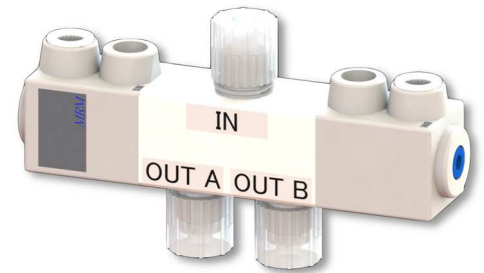
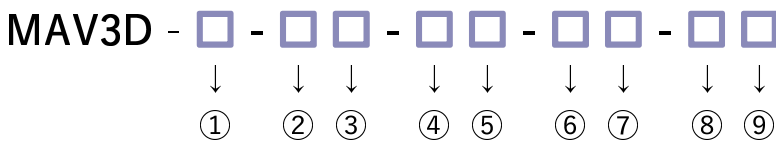


三通閥 (3-Way Valves)

- 可對應各種接續方式。
- 配管更省空間。
- 接液體部為氟化乙烯樹脂(PTFE)，抗腐蝕。
- 低粉塵清理(高面粗度加工、精密洗淨、積液少設計)。



型番表示方法 (How to order)



型番選擇例子 (Model Number Selection example)

MAV3D-86-SA-29-10
 : $\Phi 8 \times \Phi 6$ (mm), Pillar Super 300, FKM, Rc1/8
 OUT A – NC, Flow adjustment
 OUT B – NO, ON/OFF

◎ : 標準在庫品 (Standard stock)
 ○ : 受注生産品 (Made to order)
 — : 無在庫 (Not stock)

① 閥門尺寸 (Valve size)		6		43		8		86	
	mm	$\Phi 3 \times \Phi 2$		$\Phi 4 \times \Phi 3$		$\Phi 6 \times \Phi 4$		$\Phi 8 \times \Phi 6$	
	inch	1/8" (×0.086")				1/4" (×5/32")			
② 接續方式 (Connection method)		mm	inch	mm	inch	mm	inch	mm	Inch
F	Flowell 20series	○	○	○	—	○	○ ※1	○	—
R	Flowell 60series	○	○	○	—	○	○	○	—
H	Flowell 80series	—	—	—	—	○	○	—	—
P	Pillar Super fitting	○	○	○	—	○	○	—	—
S	Pillar Super 300	○	○	○	—	○	○	○	—
L	Pillar Super flare	—	—	—	—	○	○	○	—
K	Kurabo Final lock	—	—	—	—	○	○	—	—
C	Kurabo K-Fitter	—	—	—	—	○	○	—	—
B	Bueno Fit-One	—	—	—	—	○	○	○	—
X	Flare Type	—	—	—	—	—	○	—	—
T	Tube Type	—	—	—	—	○	○	○	—

③ 管道規格 (Tube Standard)

A	mm
B	inch

④ OUT A 動作方式 (Operation method)

2	NC (Normal Close)
9	NO (Normal Open)

⑤ OUT B 動作方式 (Operation method)

2	NC (Normal Close)
9	NO (Normal Open)

⑥ OUT A 付加機能 (Additional function)

0	ON/OFF
1	流量調整機能 (Flow adjustment)

⑦ OUT B 付加機能 (Additional function)

0	ON/OFF
1	流量調整機能 (Flow adjustment)

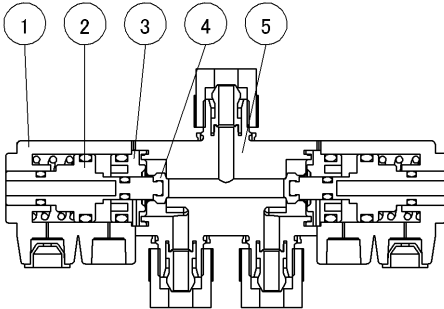
注記 (Note)

※1: 配管尺寸為1/4" (× $\Phi 4.3$)。

⑧ O-Ring ※1	
(No sign)	FKM
V	DAI-EL G902
E	EPDM

⑨ 操作 (Operation port)	
(No sign)	Rc1/8
M	M5

內部構造 (Internal structure)



品番 (No)	零件名 (Parts name)	材質 (Material)
①	外殼 (Case)	PP
②	活塞 (Piston)	PP
③	填料式旋塞閥 (Stuffing)	PP
④	薄膜 (Diaphragm)	PTFE
⑤	本體 (Body)	PTFE

Manifold

Tube Fitting

3-Way

Tube Fitting

規格 (Specifications)

使用流體 (Fluid)	化學品・純水・氣體 (Chemical liquid, DIW, Gas) ※2			
流體溫度 (Fluid temperature range)	10~100°C			
雰囲気溫度 (Atmospheric temperature)	0~40°C			
液體流動部分材質 (Materials of liquid flowed parts)	本體 (Body)	: PTFE		
	薄膜 (Diaphragm)	: PTFE		
操作方式 (Operating system)	單動式 (Spring return actuation)			
操作壓力 (Pneumatic supply pressure)	0.35~0.6MPa			
閥門尺寸 (Valve size)	6 (1/8")	4TF3	8 (1/4")	8TF6
通氣孔 (Orifice)	Φ5	Φ5	Φ5	Φ6
流體壓力 (Fluid pressure range)				
0.5MPa規格 (0.5MPa specification)	IN→OUT	0~0.5MPa		
	背壓 (Back pressure)	0~0.4MPa		

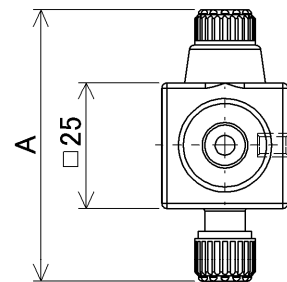
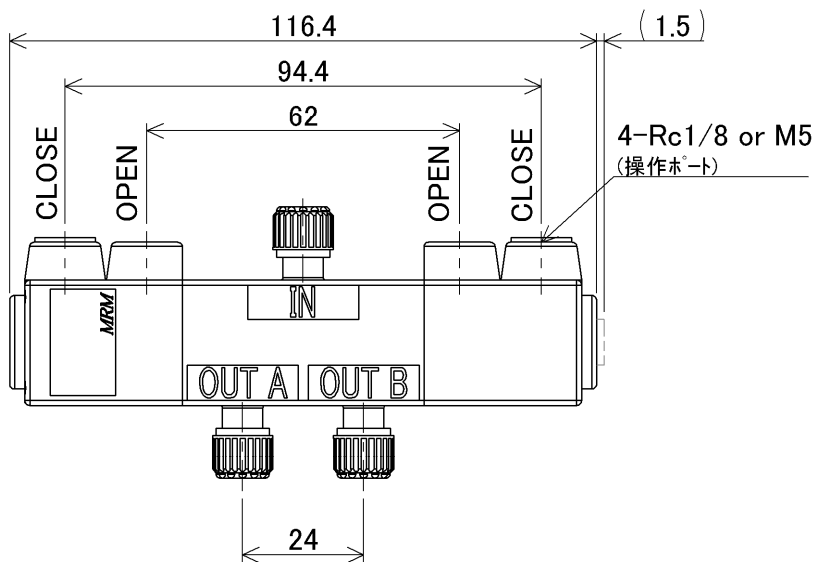
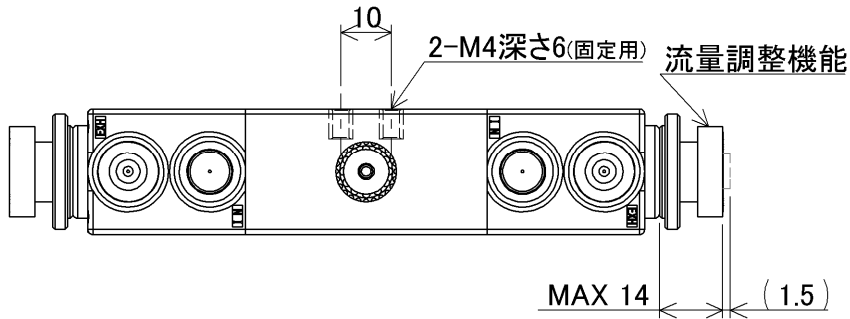
注記 (Note)

- ※1: 雖不接觸流體，但有腐食性的流體時請選擇。
- ※2: 氣體在最大1cm³/min時，有發生閥底泄露的可能性。

尺寸 (Dimensions)

- ▶ $\Phi 3 \times \Phi 2$
- ▶ 1/8" ($\times 0.086$ ")

MAV3D - 6 - □□ - □□ - □□ - □□

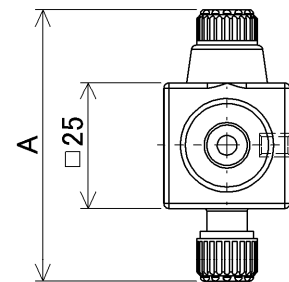
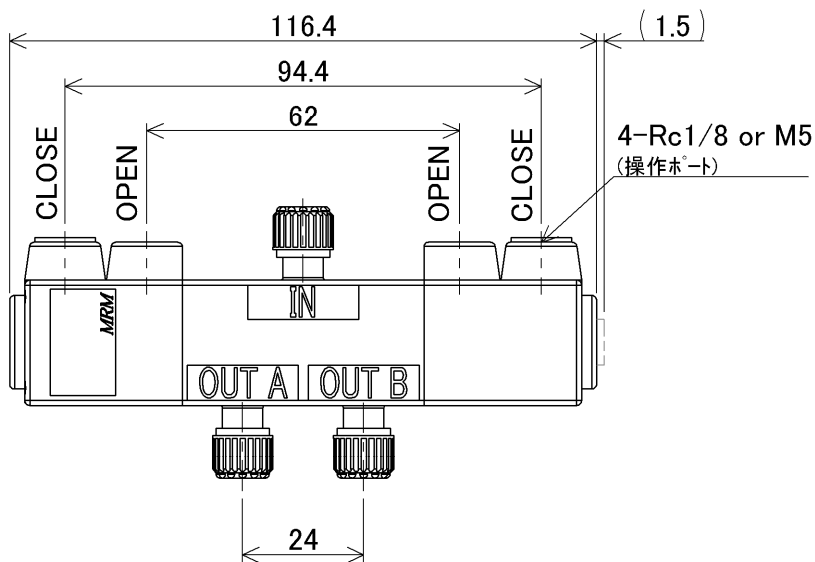
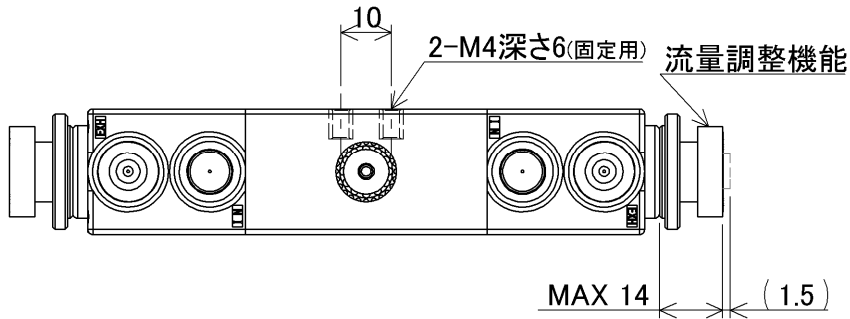


接続方式 (Connection method)	A
Flowell 20series	43
Flowell 60series	60
Pillar Super fitting	54
Pillar Super 300	54

尺寸 (Dimensions)

▶ $\Phi 4 \times \Phi 3$

MAV3D - 43 - □□ - □□ - □□ - □□



Manifold

Tube Fitting

3-Way

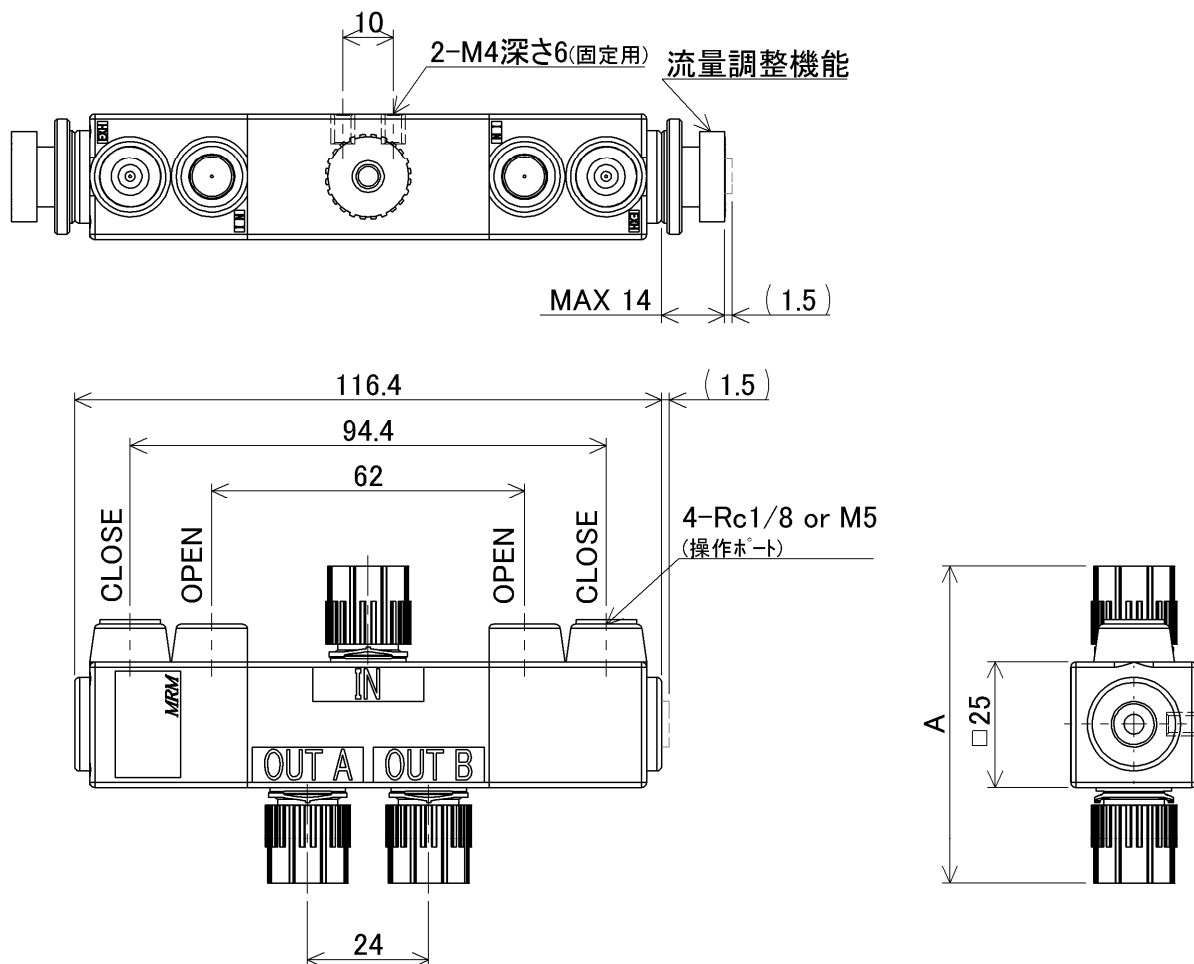
Tube Fitting

接続方式 (Connection method)	A
Flowell 20series	47
Flowell 60series	66
Pillar Super fitting	54
Pillar Super 300	54

尺寸 (Dimensions)

- ▶ $\Phi 6 \times \Phi 4$
- ▶ $1/4'' (\times 5/32'')$, $1/4'' (\times \Phi 4.3)$

MAV3D - 8 - □□ - □□ - □□ - □□

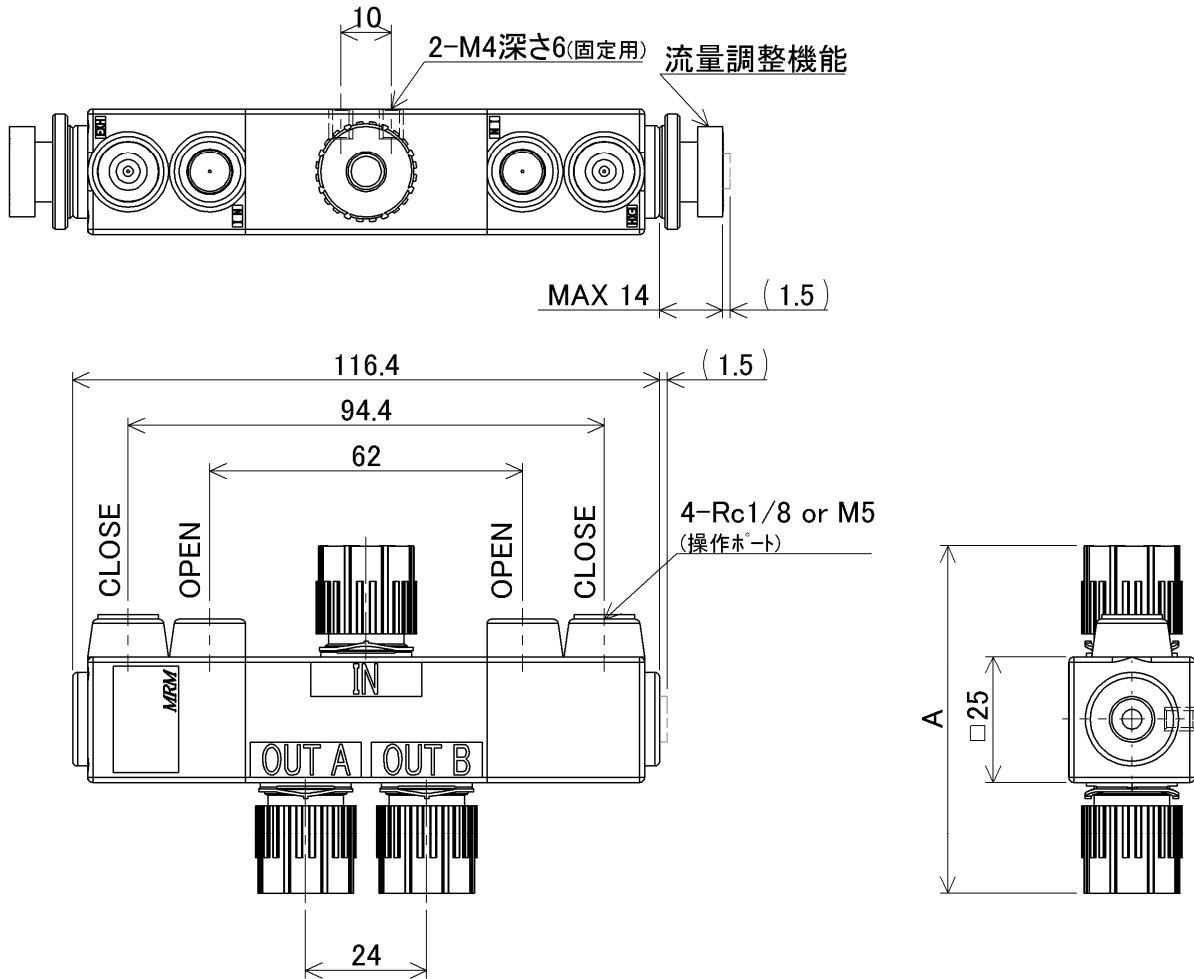


接続方式 (Connection method)	A
Flowell 20series	59
Flowell 60series	87
Flowell 80series	65
Pillar Super fitting	64
Pillar Super 300	63
Pillar Super flare	62.8
Kurabo Final lock	66
Kurabo K-Fitter	65
Bueno Fit-One	72
Flare Type	83
Tube Type	59

尺寸 (Dimensions)

▶ $\Phi 8 \times \Phi 6$

MAV3D - 86 - □□ - □□ - □□ - □□



Manifold

Tube Fitting

3-Way

Tube Fitting

接続方式 (Connection method)	A
Flowell 20series	61
Flowell 60series	87
Pillar Super 300	69
Pillar Super flare	66
Bueno Fit-One	80.4
Tube Type	61