

肘節閥 (Toggle Valves)

- 可對於Pillar Super300/Super flare。
- 接流體部分為氟化乙烯樹脂(PFA/PTFE)，抗腐蝕。
- 低粉塵清理(高面粗度加工、精密洗淨、全平構造)。
- MRM獨自的安全構造(高壓對策及熱循環對策)。

型番表示方法 (How to order)

MPTV2 - □ F - □ □ - □ - □

↓ ↓ ↓ ↓ ↓ ↓

① ② ③ ④ ⑤



型番選擇例子 (Model Number Selection example)

MPTV2-15F-SB-B-5K

: 1/2"(×3/8"), Pillar Super 300, Bottom mounting, 0.5MPa specification

◎ : 標準在庫品 (Standard stock)
○ : 受注生産品 (Made to order)
— : 無在庫 (Not stock)

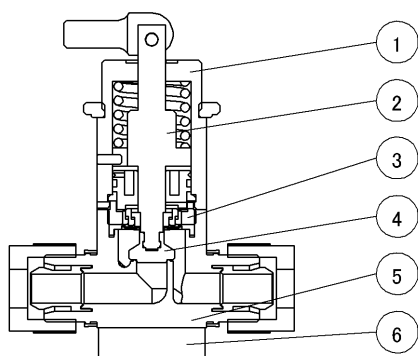
① 閥門尺寸 (Valve size)		10		15		20	
	mm	Φ10×Φ8		Φ12×Φ10		Φ19×Φ16	
	inch	3/8"(×1/4")		1/2"(×3/8")		3/4"(×5/8")	
② 接續方式 (Connection method)		mm	inch	mm	inch	mm	inch
S	Pillar Super 300	◎	◎	◎	◎	◎	◎
L	Pillar Super flare	○	○	○	○	○	○

③ 管道規格 (Tube Standard)	
A	mm
B	inch

⑤ 流體壓力 (Fluid pressure range)	
5K	0.5MPa規格 (0.5MPa specification)
(No sign)	0.7MPa規格 (0.7MPa specification)

④ 固定 (Mounting)	
(No sign)	法蘭固定 (Flange mounting)
B	底面固定 (Bottom mounting)

內部構造 (Internal structure)



品番 (No)	部品名 (Parts name)	材質 (Material)
①	外殼 (Case)	PP
②	升降件 (Shaft)	PP
③	填料式旋塞閥 (Stuffing)	PP
④	薄膜 (Diaphragm)	PTFE
⑤	本體 (Body)	PFA
⑥	底座 (Base)	PP

規格 (Specifications)

使用流體 (Fluid)	化學品・純水・氣體 (Chemical liquid, DIW, Gas) ※1		
流體溫度 (Fluid temperature range)	10~100°C		
雰囲気溫度 (Atmospheric temperature)	0~40°C		
接觸流體部的材質 (Materials of liquid flowed parts)	本體 (Body)	: PFA	
	薄膜 (Diaphragm)	: PTFE	
操作方式 (Operating system)	手動式 (Toggle type)		
閥門尺寸 (Valve size)	10 (3/8")	15 (1/2")	20 (3/4")
通氣孔 (Orifice)	Φ8	Φ10	Φ16
流體壓力 (Fluid pressure range)			
0.5MPa規格 (0.5MPa specification)	IN→OUT	0~0.5MPa	
	背壓 (Back pressure)	0~0.5MPa	
0.7MPa規格 (0.7MPa specification)	IN→OUT	0~0.7MPa	
	背壓 (Back pressure)	0~0.7MPa	

PFA

Flare Type
Flowell 60seriesPillar Super 300
Pillar Super flare

PTFE

Tube Fitting

Other

Union

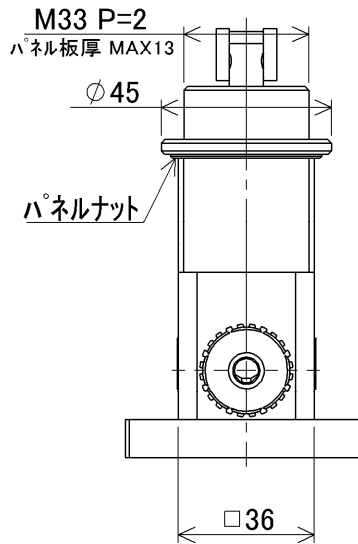
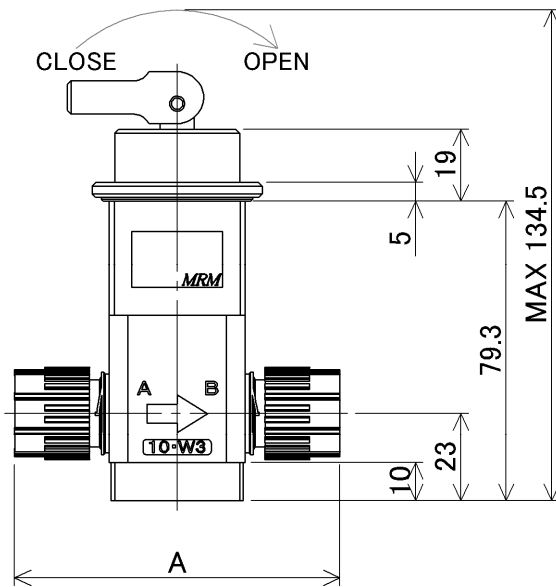
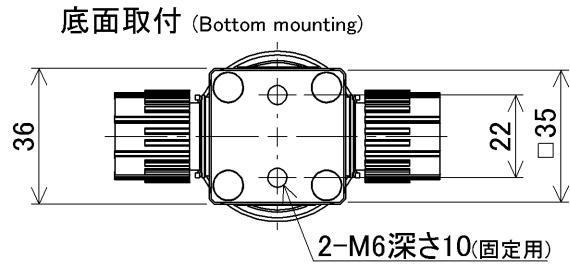
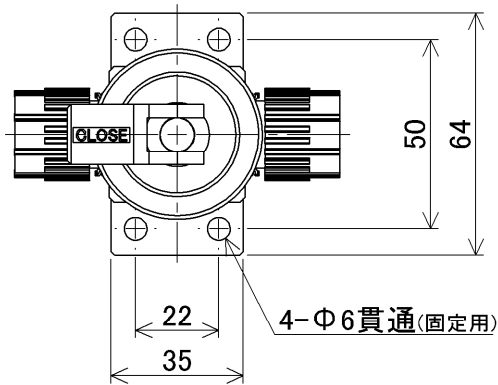
注記 (Note)

※1: 氣體在最大で1cm³/min時, 有發生閥底泄露的可能性。

尺寸 (Dimensions)

- ▶ $\Phi 10 \times \Phi 8$
- ▶ $3/8" (\times 1/4")$

MPTV2 - 10 F - □□ - □ - □

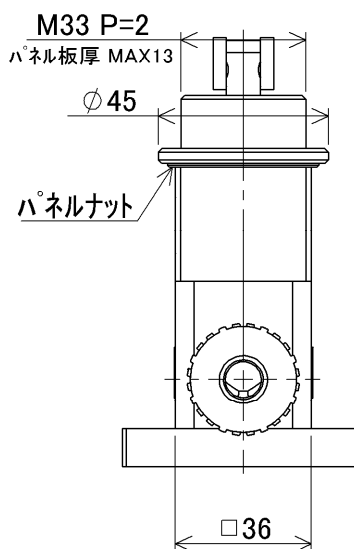
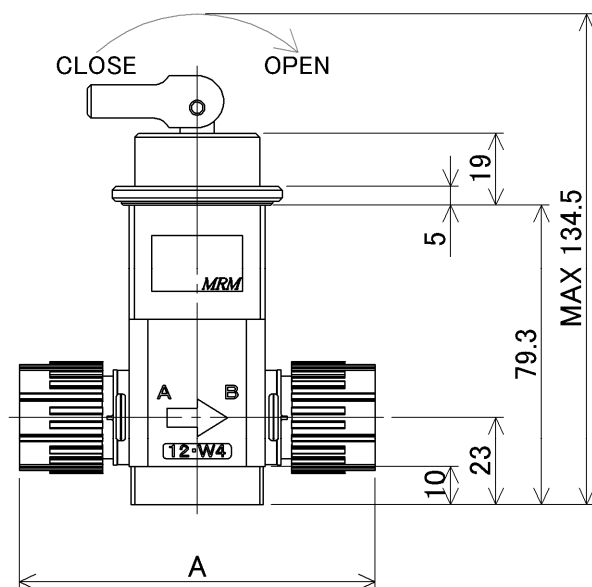
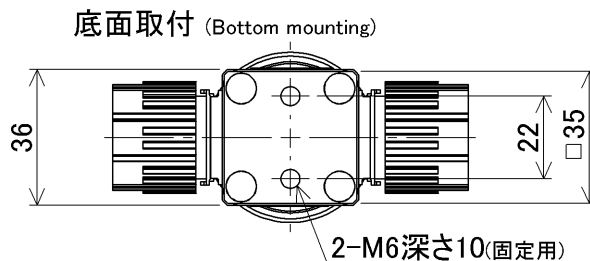
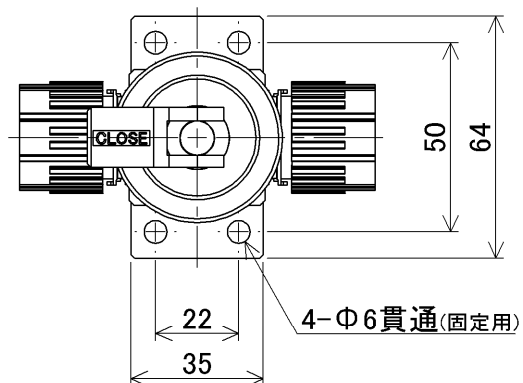


接続方式 (Connection method)	A
Pillar Super 300	86
Pillar Super flare	85.6

尺寸 (Dimensions)

- ▶ $\Phi 12 \times \Phi 10$
- ▶ 1/2" (× 3/8")

MPTV2 - 15 F - □□ - □ - □



接続方式 (Connection method)	A
Pillar Super 300	94
Pillar Super flare	93.6

PFA

Flare Type
Flowell 60series

Pillar Super 300
Pillar Super flare

PTFE

Tube Fitting

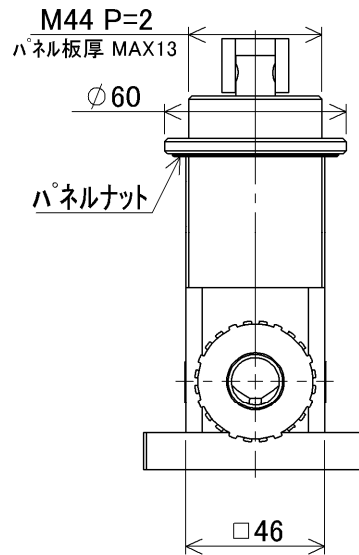
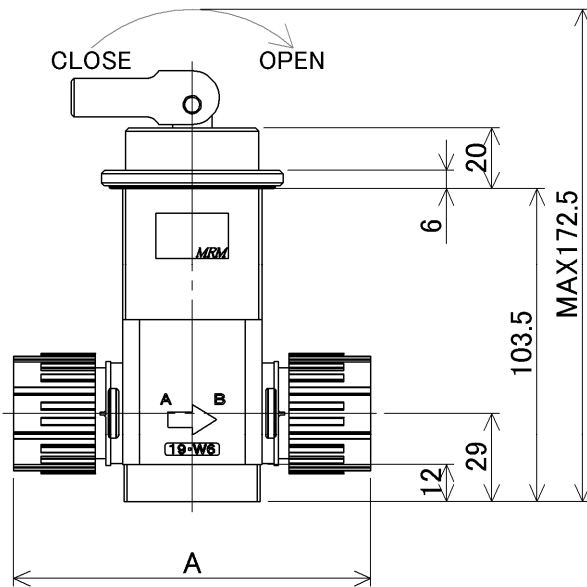
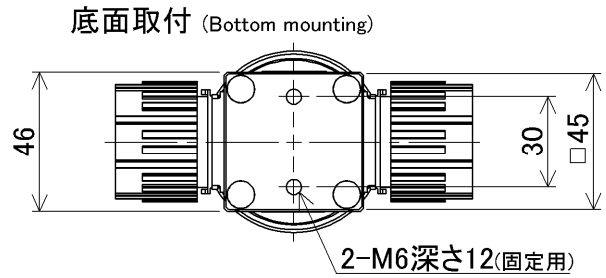
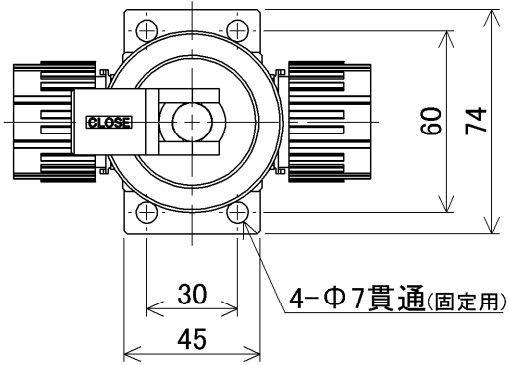
Other

Union

尺寸 (Dimensions)

- ▶ $\Phi 19 \times \Phi 16$
- ▶ $3/4" (\times 5/8")$

MPTV2 - 20 F - □□ - □ - □



接続方式 (Connection method)	A
Pillar Super 300	118
Pillar Super flare	117.6

PFA	Flare Type Flowell 60series	Pillar Super 300 Pillar Super flare	PTFE	Tube Fitting	Other	Union
-----	--------------------------------	--	------	--------------	-------	-------