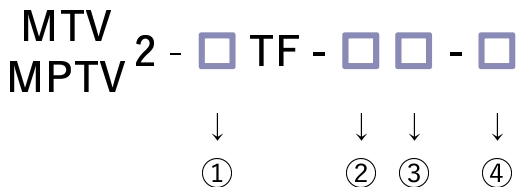


## 肘節閥 (Toggle Valves)

- 可對應各種接續方式。
- 配管時省空間。
- 接流體部分為氟化乙烯樹脂(PTFE)，抗腐蝕。
- 低粉塵清理(高面粗度加工、精密洗淨、積液少設計)。



## 型番表示方法 (How to order)



MAV : 0.5MPa規格 (0.5MPa specification)  
MPAV : 0.7MPa規格 (0.7MPa specification)

型番選定例 (Model Number Selection example)

MTV2-8TF6-SA-P-B

: 0.5MPa specification,  $\Phi 8 \times \Phi 6$ (mm), Pillar Super 300, Panel mounting + Bottom mounting

- ◎ : 標準在庫品 (Standard stock)  
○ : 受注生産品 (Made to order)  
— : 無在庫 (Not stock)

① 閥門尺寸 (Valve size)		6		4TF3 ※1		8		8TF6 ※1	
	mm	$\Phi 3 \times \Phi 2$		$\Phi 4 \times \Phi 3$		$\Phi 6 \times \Phi 4$ , N4		$\Phi 8 \times \Phi 6$ , N6	
	inch	1/8" (×0.086")				1/4" (×5/32")			
② 接續方式 (Connection method)		mm	inch	mm	inch	mm	inch	mm	inch
F	Flowell 20series	○	○	○	—	◎	◎ ※2	○	—
R	Flowell 60series	○	○	○	—	◎	◎	○	—
H	Flowell 80series	—	—	—	—	○	○	—	—
P	Pillar Super fitting	○	○	○	—	○	○	—	—
S	Pillar Super 300	◎	◎	○	—	◎	◎	○	—
L	Pillar Super flare	—	—	—	—	○	○	○	—
K	Kurabo Final lock	—	—	—	—	○	○	—	—
C	Kurabo K-Fitter	—	—	—	—	○	○	—	—
B	Bueno Fit-One	—	—	—	—	○	○	○	—
X	Flare Type	—	—	—	—	—	◎	—	—
NL	Yodogawa Nano Link system	—	—	—	—	○ ※3	—	○ ※3	—
T	Tube Type	—	—	—	—	○	○	○	—

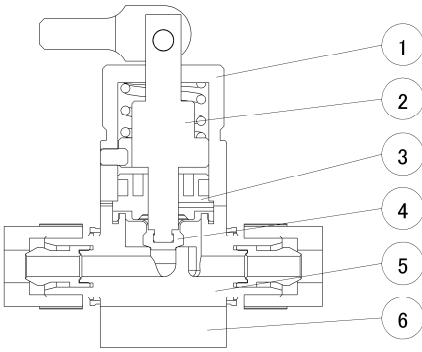
③ 管道規格 (Tube Standard)	
A	mm
B	inch

④ 固定 (Mounting)	
(No sign)	法蘭固定 (Flange mounting)
P	面板固定 (Panel mounting) + 法蘭固定 (Flange mounting)
B-B	底面固定 (Bottom mounting)
P-B	面板固定 (Panel mounting) + 底面固定 (Bottom mounting)

**注記 (Note)**

- ※1: "TF"前後請記入"4"與"3"或者"8"和"6"。
- ※2: 配管尺寸為1/4"(× $\Phi 4.3$ )。
- ※3: 管道規格並不記載, 只記載NL。(例) N4 : 8TF-NL

**內部構造 (Internal structure)**



品番 (No)	零件名 (Parts name)	材質 (Material)
①	外殼 (Case)	PVDF
②	升降件 (Shaft)	PP
③	填料式旋塞閥 (Stuffing)	PP
④	薄膜 (Diaphragm)	PTFE
⑤	本體 (Body)	PTFE
⑥	底座 (Base)	PP

**規格 (Specifications)**

使用流體 (Fluid)	化學品・純水・氣體 (Chemical liquid, DIW, Gas) ※1			
流體溫度 (Fluid temperature range)	10~100°C			
大氣溫度 (Atmospheric temperature)	0~40°C			
液體流動部的材質 (Materials of liquid flowed parts)	本體 (Body)	: PTFE		
	薄膜 (Diaphragm)	: PTFE		
操作方式 (Operating system)	手動式 (Toggle type)			
閥門尺寸 (Valve size)	6 (1/8")	4TF3	8 (1/4")	8TF6
通氣孔 (Orifice)	Φ5	Φ5	Φ5	Φ6
流體壓力 (Fluid pressure range)				
0.5MPa規格 (0.5MPa specification)	IN→OUT	0~0.5MPa		
	背壓 (Back pressure)	0~0.4MPa		
0.7MPa規格 (0.7MPa specification)	IN→OUT	0~0.7MPa		
	背壓 (Back pressure)	0~0.7MPa		

PFA
Flare Type Flowell 60series
Pillar Super 300 Pillar Super flare
PTFE
Tube Fittings
Other
Union

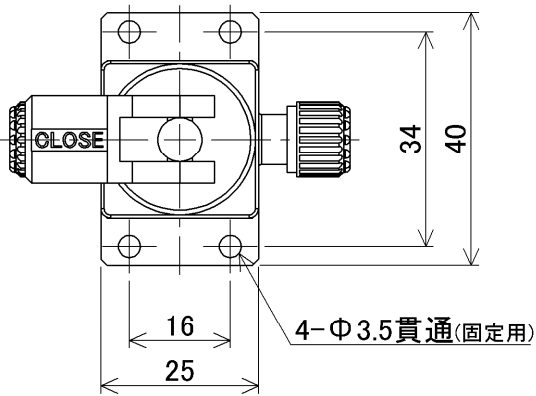
注記 (Note)

※1: 氣體在最大1cm<sup>3</sup>/min時, 有發生閥底泄露的可能性。

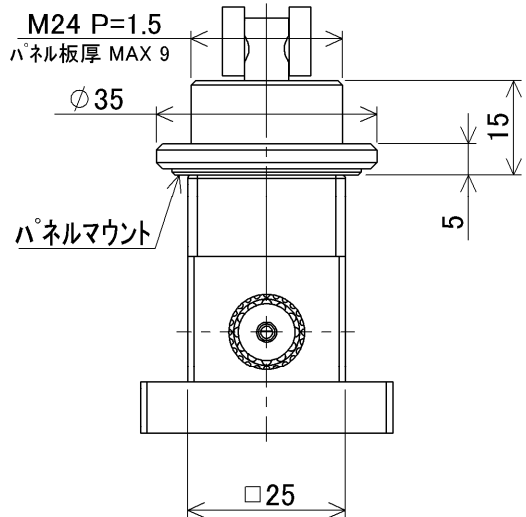
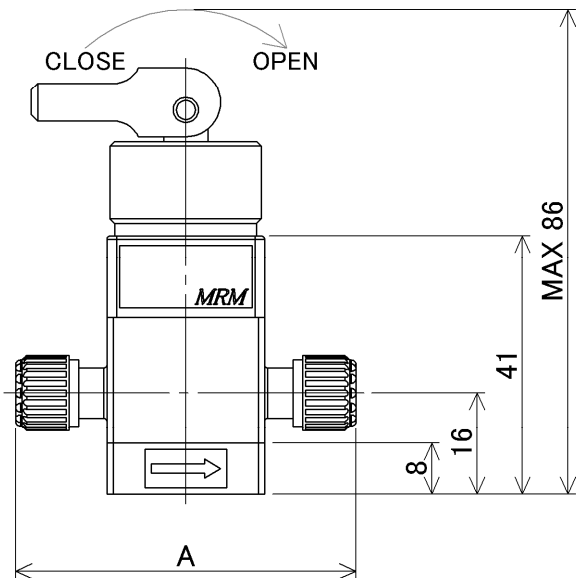
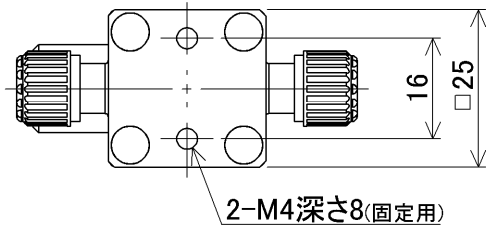
尺寸 (Dimensions)

- ▶  $\Phi 3 \times \Phi 2$
- ▶ 1/8" ( $\times 0.086$ " )

MTV  
MPTV 2 - 6 TF - □□ - □



底面取付 (Bottom mounting)

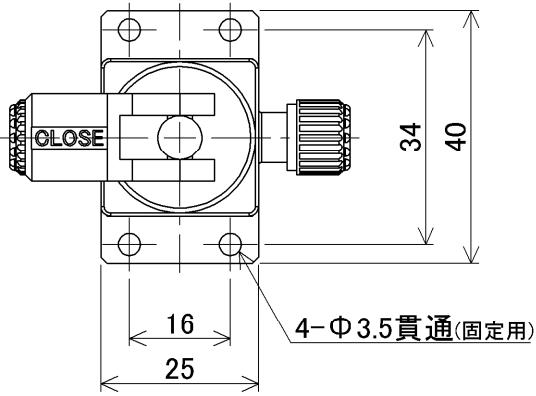


接続方式 (Connection method)	A
Flowell 20series	43
Flowell 60series	60
Pillar Super fitting	54
Pillar Super 300	54

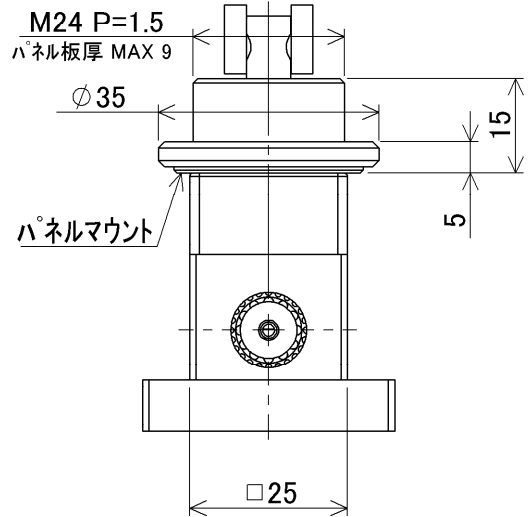
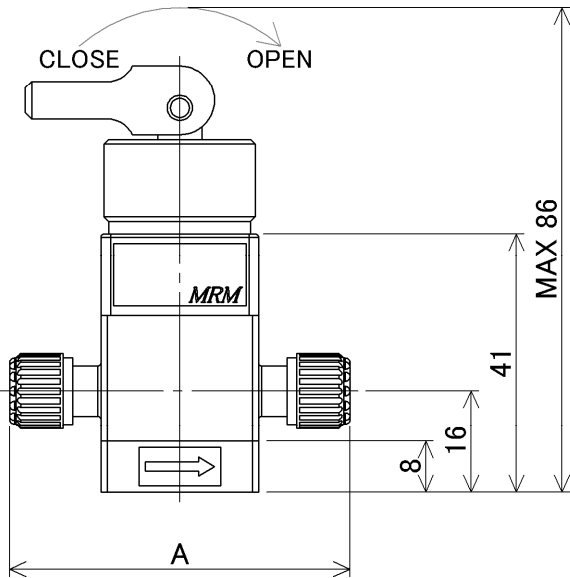
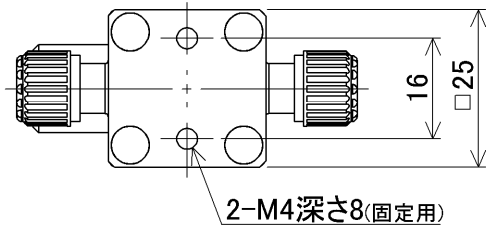
尺寸 (Dimensions)

▶  $\Phi 4 \times \Phi 3$

MTV  
MPTV 2 - 4 TF 3 - □□ - □



底面取付 (Bottom mounting)



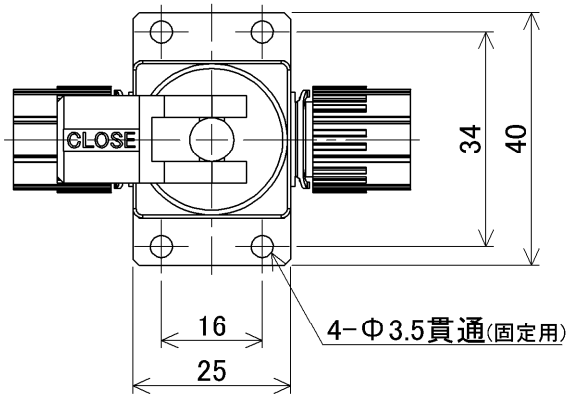
接続方式 (Connection method)	A
Flowell 20series	47
Flowell 60series	66
Pillar Super fitting	54
Pillar Super 300	54

PFA
Flare Type Flowell 60series
Pillar Super 300 Pillar Super flare
PTFE
Tube Fitting
Other
Union

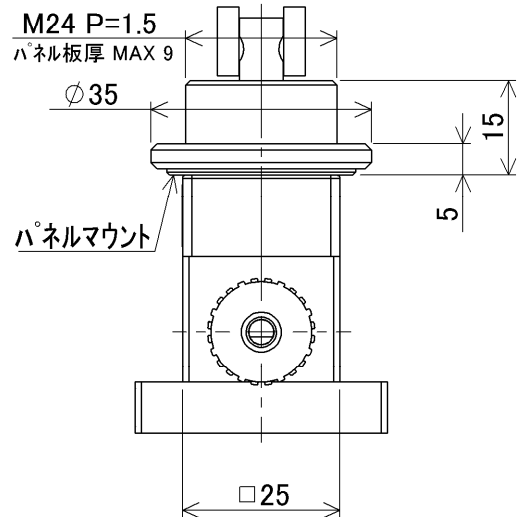
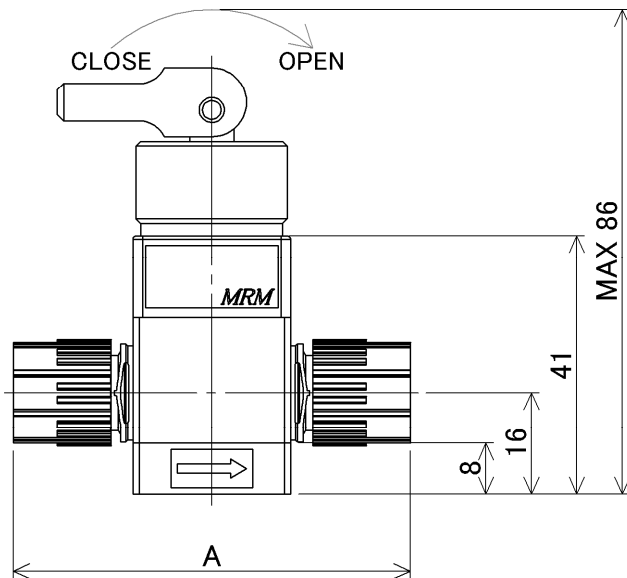
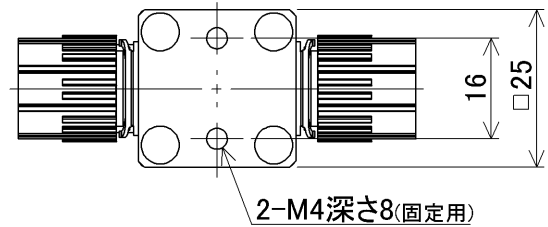
尺寸 (Dimensions)

- ▶  $\Phi 6 \times \Phi 4$ , N4
- ▶  $1/4''(\times 5/32'')$ ,  $1/4''(\times \Phi 4.3)$

MTV  
MPTV 2 - 8 TF - □□ - □



底面取付 (Bottom mounting)

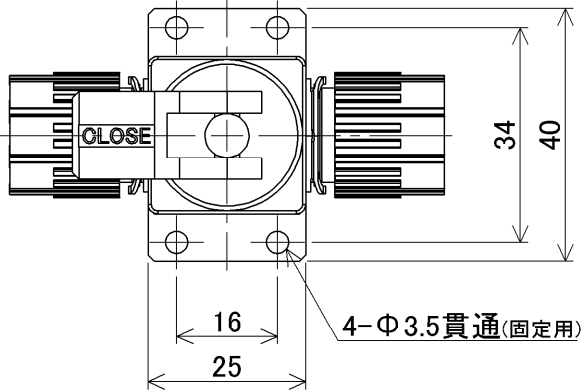


接続方式 (Connection method)	A
Flowell 20series	59
Flowell 60series	87
Flowell 80series	65
Pillar Super fitting	64
Pillar Super 300	63
Pillar Super flare	62.8
Kurabo Final lock	66
Kurabo K-Fitter	65
Bueno Fit-One	72
Flare Type	83
Nano Link system	47.4
Tube Type	59

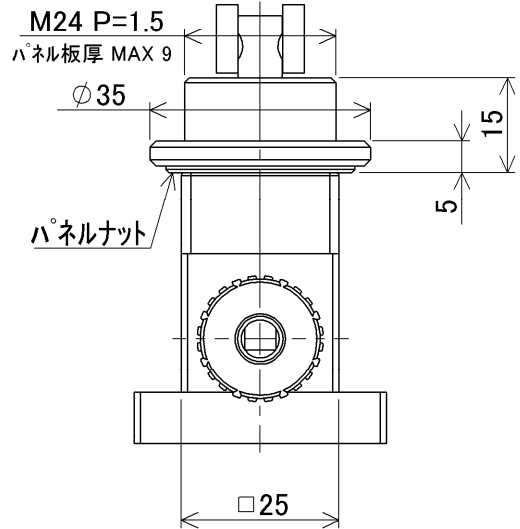
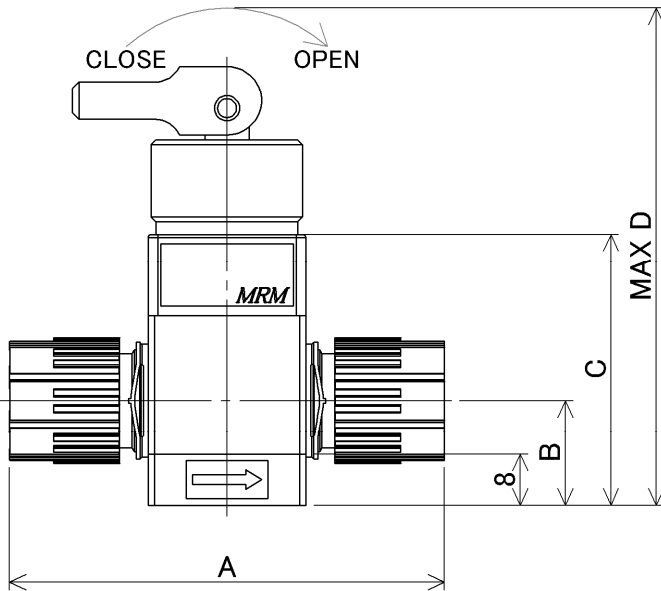
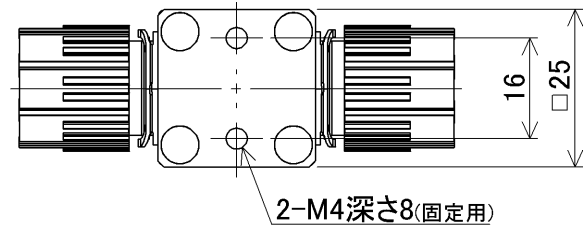
尺寸 (Dimensions)

▶  $\Phi 8 \times \Phi 6$ , N6

MTV  
MPTV 2 - 8 TF 6 - □□ - □



底面取付 (Bottom mounting)



接続方式 (Connection method)	A	B	C	D
Flowell 20series	61	16.5	43	88
Flowell 60series	87	16.5	43	88
Pillar Super 300	69	16.5	43	88
Pillar Super flare	66	16.5	43	88
Bueno Fit-One	80.4	16.5	43	88
Nano Link system	55.2	18.5	45	90
Tube Type	61	16.5	43	88

PFA
Flare Type Flowell 60series
Pillar Super 300 Pillar Super flare
PTFE
Tube Fitting
Other
Union