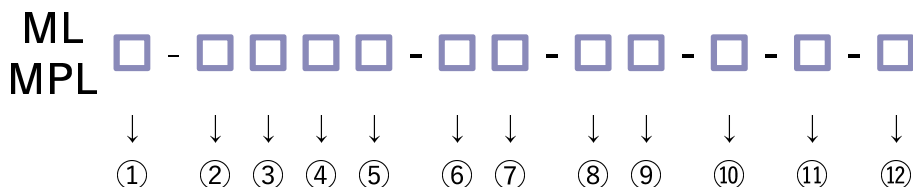


## 歧管閥 (Manifold Valves)

- 分離型本體的生產效率更高，比一體型的價格更低，交期更短。
- 接流體部為氟化乙烯樹脂(PTFE)，抗腐蝕。
- 低粉塵清理(高面粗度加工、精密洗淨、平面構造)。
- MRM獨自的安全構造(高壓對策及熱循環對策)。

## 型番表示方法 (How to order)



ML : 0.3MPa規格 (0.3MPa specification)  
MPL : 0.5/0.7MPa規格 (0.5/0.7MPa specification)

型番選擇例子 (Model Number Selection example)

MPL2-20SA15-29-T10-E-5K

: 0.5MPa specification, Pillar Super 300, EPDM  
A port – Right position,  $\Phi 19 \times \Phi 16$ (mm)  
B port1 –  $\Phi 12 \times \Phi 10$ (mm), Toggle  
B port2 –  $\Phi 12 \times \Phi 10$ (mm), NC, Flow adjustment  
B port3 –  $\Phi 12 \times \Phi 10$ (mm), NO, ON/OFF

ML3-20SB15-MMT

: 0.3MPa specification, Pillar Super 300  
A port – Both position,  $3/4" (\times 5/8")$   
B port1 –  $1/2" (\times 3/8")$ , Manual  
B port2 –  $1/2" (\times 3/8")$ , Manual  
B port3 –  $1/2" (\times 3/8")$ , Toggle

### ① A port 位置 (A port position)

1	左側 (Left position)	
2	右側 (Right position)	
3	兩側 (Both position)	

◎ : 標準在庫品 (Standard stock)  
○ : 受注生產品 (Made to order)  
— : 無在庫 (Not stock)

② A port 尺寸 (A port size)		10		15		20		25	
⑤ B port 尺寸 (B port size)									
	mm	Φ 10 × Φ 8		Φ 12 × Φ 10		Φ 19 × Φ 16		Φ 25 × Φ 22	
	inch	3/8" (× 1/4")		1/2" (× 3/8")		3/4" (× 5/8")		1" (× 7/8")	
③ 接續方式 (Connection method)		mm	inch	mm	inch	mm	inch	mm	inch
F	Flowell 20series	○	○	○	○	○	○	○	○
FA	Flowell 20Aseries	○	○	○	○	○	○	○	○
R	Flowell 60series	○	○	○	○	○	○	○	○
H	Flowell 80series	○	○	○	○	○	○	○	○
P	Pillar Super fitting	○	○	○	○	○	○	○	○
S	Pillar Super 300	○	○	○	○	○	○	○	○
L	Pillar Super flare	○	○	○	○	○	○	○	○
K	Kurabo Final lock	○	○	○	○	○	○	○	○
C	Kurabo K-Fitter	○	○	○	○	○	○	○	○
B	Bueno Fit-One	○	○	○	○	○	○	○	○
X	Flare Type	—	○	—	○	—	○	—	○
T	Tube Type	○	○	○	○	○	○	○	○

④ 管道規格 (Tube Standard)	
A	mm
B	inch

⑥ B port1 動作方式 (B port1 operation method) ※1 ※2	
2	NC (Normal Close)
9	NO (Normal Open)
(No sign)	Manual or Toggle

⑧ B port1 附加機能 (B port1 additional function) ※1 ※2	
0	ON/OFF
1	流量調整機能 (Flow adjustment)
M	手動式 (Manual type)
T	手動肘節式 (Toggle type) ※3

⑩ O-Ring ※4	
(No sign)	FKM
V	DAI-EL G902
E	EPDM

⑦ B port2 動作方式 (B port2 operation method) ※1 ※2	
2	NC (Normal Close)
9	NO (Normal Open)
(No sign)	Manual or Toggle

⑨ B port2 附加機能 (B port2 additional function) ※1 ※2	
0	ON/OFF
1	流量調整機能 (Flow adjustment)
M	手動式 (Manual type)
T	手動肘節式 (Toggle type) ※3

⑪ 流體壓力 (Fluid pressure range) ※5	
5K	0.5MPa規格 (0.5MPa specification)
(No sign)	0.7MPa規格 (0.7MPa specification) ※6

⑫ 螺母塗層 (Bolt coating) ※4	
(No sign)	無塗層 (Not coated)
Y	有塗層 (Coated)

#### 注記 (Note)

- ※1 : 請指定閥門的連接數。(例子) 3連, NC, ON/OFF : 222-000
- ※2 : 請參照①A port位置、來指定B port1。
- ※3 : B port尺寸“25”的肘節不生產。
- ※4 : 雖不接觸流體, 但有腐蝕性高的流體時請選擇。
- ※5 : 請只在MPL時選擇。
- ※6 : B port尺寸“25”的0.7MPa的規格不生產。

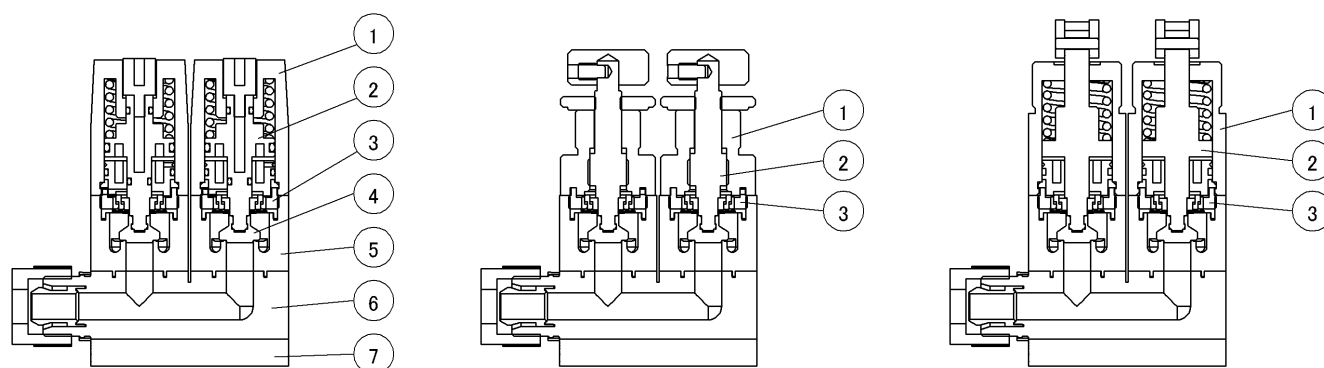
Manifold

Tube Fitting

3-Way

Tube Fitting

## 內部構造 (Internal structure)



品番 (No)	零件名 (Parts name)	材質 (Material)
①	外殼 (Case)	PP
②	活塞 (Piston), 升降件 (Shaft)	PP
③	填料式旋塞閥 (Stuffing)	PP
④	薄膜 (Diaphragm)	PTFE
⑤	子體 (Sub body)	PTFE
⑥	主體 (Main body)	PTFE
⑦	底座 (Base)	PP

## 規格 (Specifications)

使用流體 (Fluid)	化學品・純水・氣體 (Chemical liquid, DIW, Gas) ※1			
流體溫度 (Fluid temperature range)	10~100°C			
大氣溫度 (Atmospheric temperature)	0~40°C			
接液體部分材質 (Materials of liquid flowed parts)	本體 (Body)	: PTFE		
	薄膜 (Diaphragm)	: PTFE		
B port 尺寸 (B port size)	10 (3/8")	15 (1/2")	20 (3/4")	25 (1")
通氣孔 (Orifice)	Φ8	Φ10	Φ16	Φ22

付加機能 (Additional function)	ON/OFF / Flow adjustment	Manual	Toggle	
操作方式 (Operating system)	單動式 (Spring return actuation)	手動式 (Manual type)	手動肘節式 (Toggle type)	
操作壓力 (Pneumatic supply pressure)				
0.3MPa規格 (0.3MPa specification)				0.3~0.6MPa
0.5MPa規格 (0.5MPa specification)				0.45~0.6MPa
0.7MPa規格 (0.7MPa specification)				

流體壓力 (Fluid pressure range)	ON/OFF / Flow adjustment / Toggle ※2				Manual
	10 (3/8")	15 (1/2")	20 (3/4")	25 (1")	
0.3MPa規格 (0.3MPa specification)	A port→B port	0~0.3MPa			0~0.5MPa
	B port→A port	0~0.3MPa	0~0.2MPa	0~0.1MPa	
0.5MPa規格 (0.5MPa specification)	A port→B port	0~0.5MPa			0~0.5MPa
	B port→A port	0~0.5MPa			
0.7MPa規格 (0.7MPa specification)	A port→B port	0~0.7MPa		—	0~0.7MPa
	B port→A port	0~0.7MPa		—	

注記 (Note)

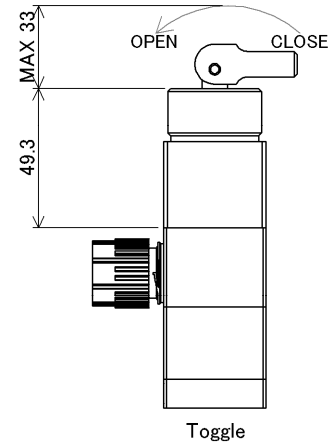
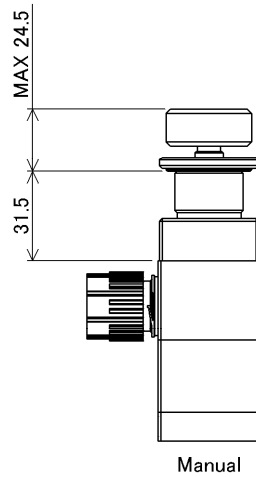
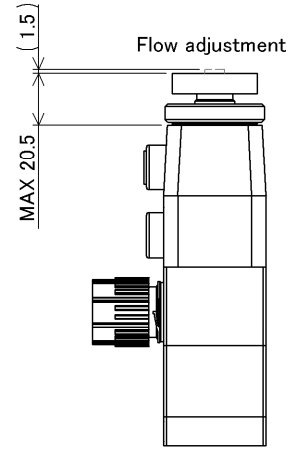
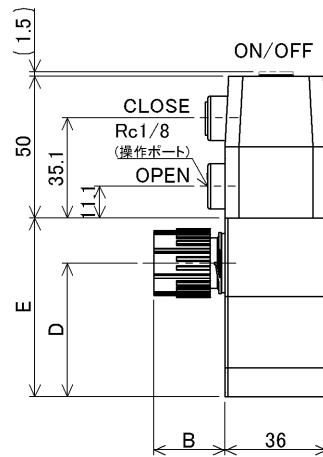
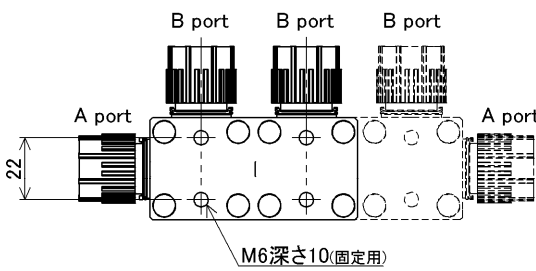
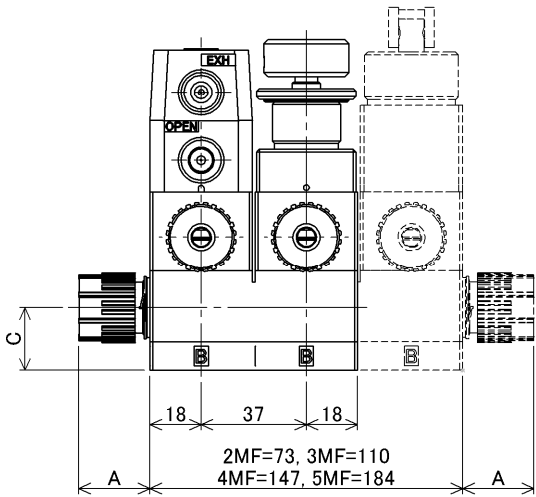
※1: 氣體在最大1cm<sup>3</sup>/min時, 有發生閥底泄露的可能性。

※2: B port尺寸“25”的肘節不生產。

尺寸 (Dimensions)

- ▶ B port size :  $\Phi 10 \times \Phi 8$
- ▶ B port size :  $3/8" (\times 1/4")$

ML MPL □ - □□□ 10 - □□ - □□ - □ - □ - □



Manifold

Tube Fitting

3-Way

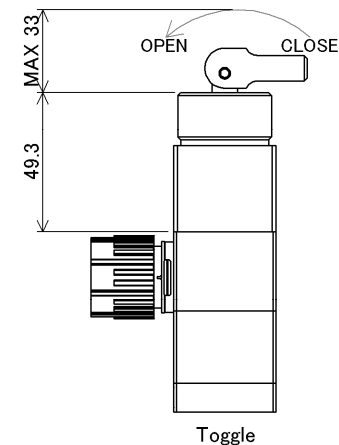
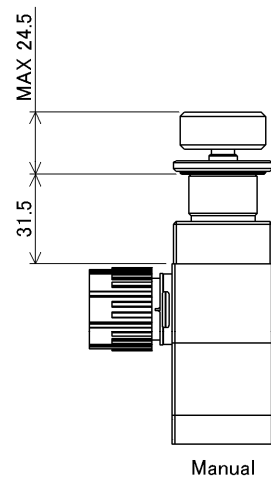
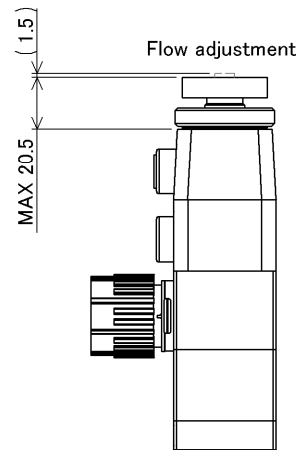
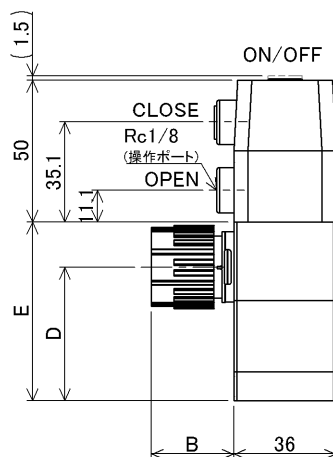
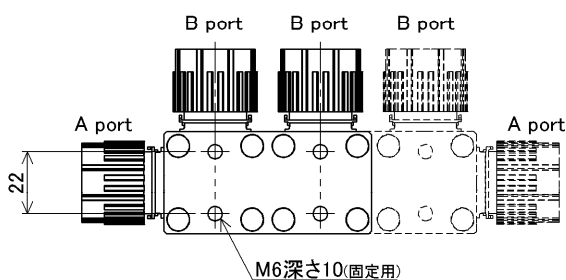
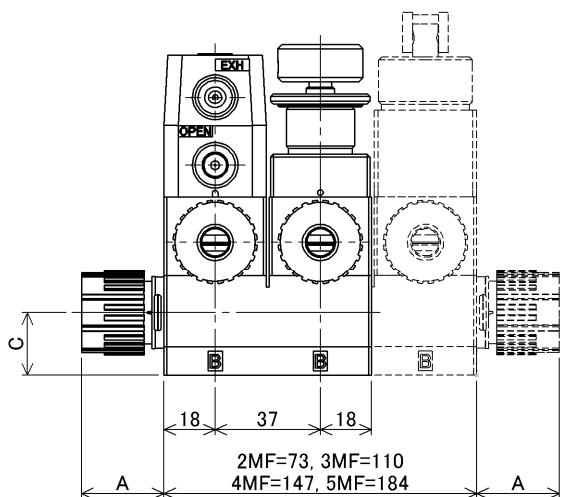
Tube Fitting

接続方式 (Connection method)	A port size			B	A port size								
	10	15	20		10			15			20		
	A				C	D	E	C	D	F	C	D	E
Flowell 20series	21	25	31	21	22	47	63	22	47	63	26	57	73
Flowell 20Aseries	21	25	31	21	22	47	63	22	47	63	26	57	73
Flowell 60series	39	39	44	39	22	47	63	22	47	63	26	57	73
Flowell 80series	25.5	29	36.5	25.5	22	47	63	24	50	66	26	57	73
Pillar Super fitting	26.5	30	39.5	26.5	22	47	63	22	47	63	26	57	73
Pillar Super 300	25	29	36	25	22	47	63	22	47	63	26	57	73
Pillar Super flare	24.8	28.8	35.8	24.8	22	47	63	22	47	63	26	57	73
Kurabo Final lock	29	30	34.5	29	22	47	63	22	47	63	26	57	73
Kurabo K-Fitter	20	23	27	20	22	47	63	22	47	63	26	57	73
Bueno Fit-One	27.7	32	41	27.7	22	47	63	22	47	63	26	57	73
Flare Type	31.8	33.8	36.8	31.8	22	47	63	22	47	63	26	57	73
Tube Type	24	25	30	24	22	47	63	22	47	63	26	57	73

尺寸 (Dimensions)

- ▶ B port size :  $\Phi 12 \times \Phi 10$
- ▶ B port size : 1/2" ( $\times 3/8$ " )

ML   -      15 -    -     -   -    -  



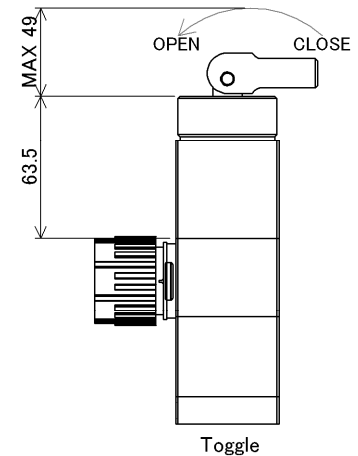
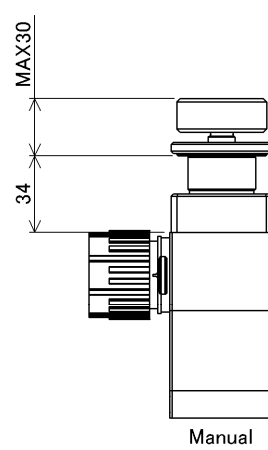
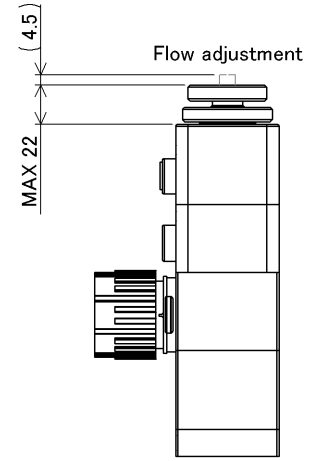
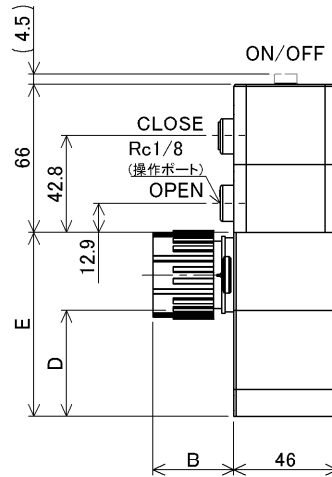
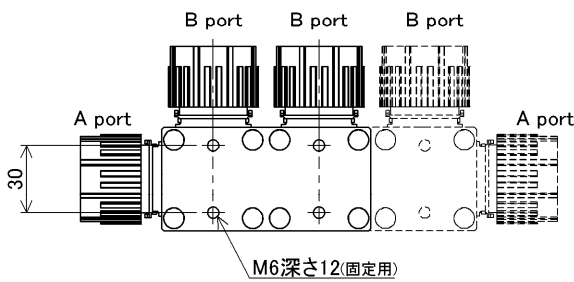
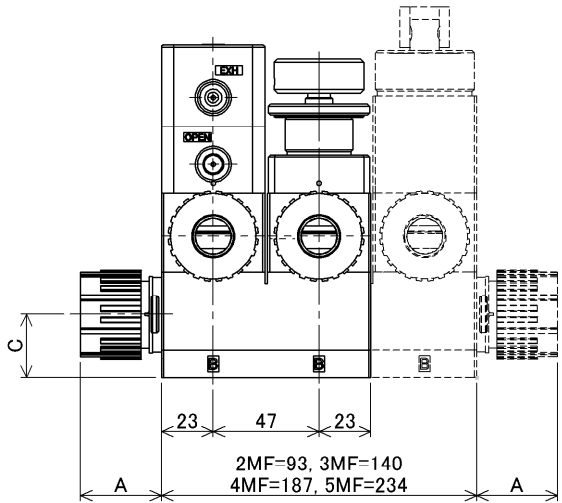
接続方式 (Connection method)	A port size		A port size						
	15	20	15			20			
	A	B	C	D	F	C	D	E	
Flowell 20series	25	31	25	22	47	63	26	57	73
Flowell 20Aseries	25	31	25	22	47	63	26	57	73
Flowell 60series	39	44	39	22	47	63	26	57	73
Flowell 80series	29	36.5	29	24	52	68	26	59	75
Pillar Super fitting	30	39.5	30	22	47	63	26	57	73
Pillar Super 300	29	36	29	22	47	63	26	57	73
Pillar Super flare	28.8	35.8	28.8	22	47	63	26	57	73
Kurabo Final lock	30	34.5	30	22	47	63	26	57	73
Kurabo K-Fitter	23	27	23	22	47	63	26	57	73
Bueno Fit-One	32	41	32	22	47	63	26	57	73
Flare Type	33.8	36.8	33.8	22	47	63	26	57	73
Tube Type	25	30	25	22	47	63	26	57	73

尺寸 (Dimensions)

- ▶ B port size :  $\Phi 19 \times \Phi 16$
- ▶ B port size :  $3/4" (\times 5/8")$

ML □ - □□□ 20 - □□ - □□ - □ - □ - □

MPL □ - □□□ 20 - □□ - □□ - □ - □ - □



接続方式 (Connection method)	A port size		B	A port size					
	20	25		20			25		
	A			C	D	E	C	D	E
Flowell 20series	31	42	31	28	63	82	34	73	92
Flowell 20Aseries	31	42	31	28	63	82	34	73	92
Flowell 60series	44	51	44	28	63	82	34	73	92
Flowell 80series	36.5	39	36.5	28	63	82	34	73	92
Pillar Super fitting	39.5	45	39.5	28	63	82	34	73	92
Pillar Super 300	36	43	36	28	63	82	34	73	92
Pillar Super flare	35.8	41.5	35.8	28	63	82	34	73	92
Kurabo Final lock	34.5	39.5	34.5	28	63	82	34	73	92
Kurabo K-Fitter	27	31	27	28	63	82	34	73	92
Bueno Fit-One	41	48	41	28	63	82	34	73	92
Flare Type	36.8	45	36.8	28	63	82	34	73	92
Tube Type	30	40	30	28	63	82	34	73	92

Manifold

Tube Fitting

3-Way

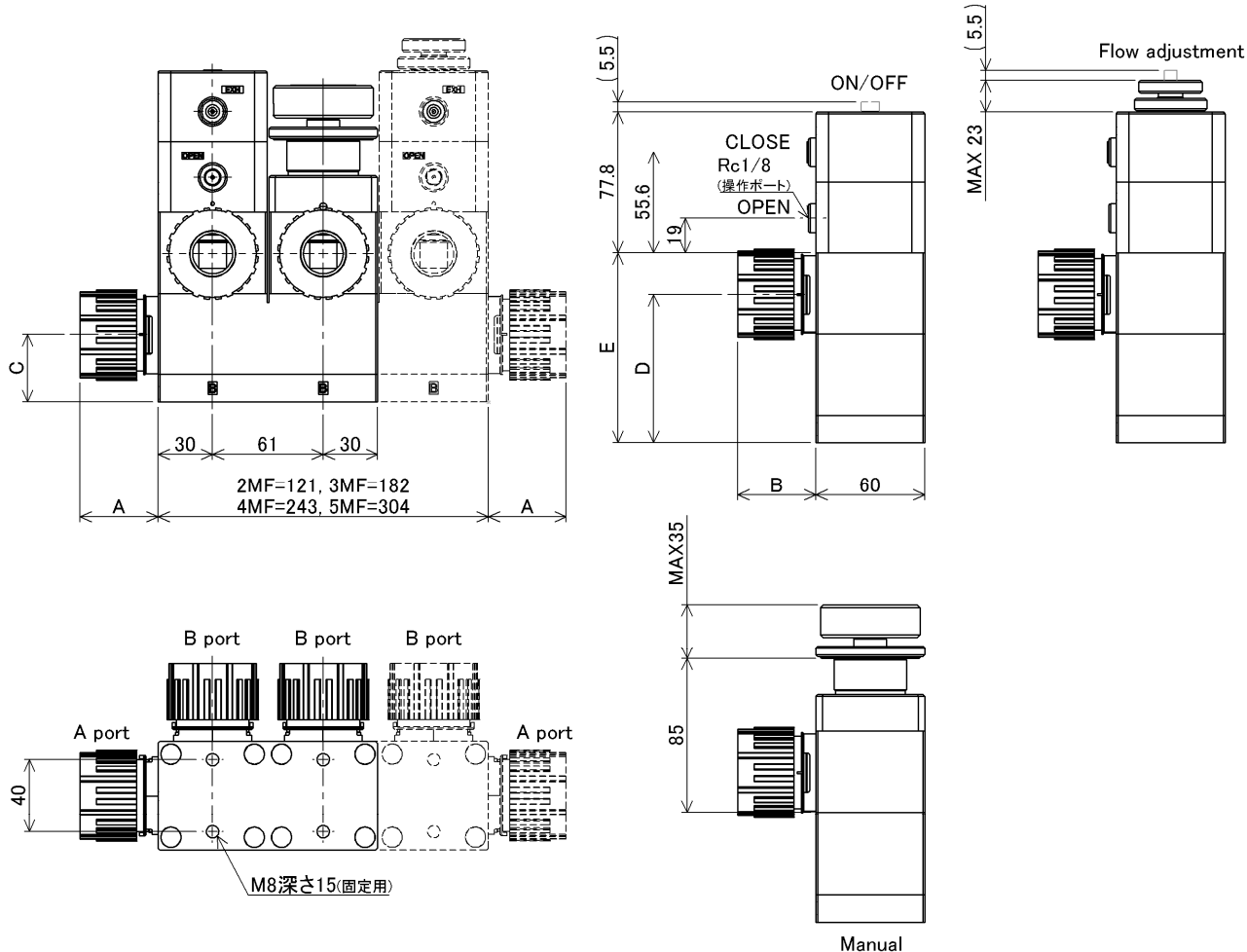
Tube Fitting

尺寸 (Dimensions)

- ▶ B port size :  $\Phi 25 \times \Phi 22$
- ▶ B port size : 1" ( $\times 7/8$ " )

ML □ - □□□ 25 - □□ - □□ - □ - □ - □

MPL



接続方式 (Connection method)	A	B	C	D	E
Flowell 20series	42	42	37	82	105
Flowell 20Aseries	42	42	37	82	105
Flowell 60series	51	51	37	82	105
Flowell 80series	39	39	37	82	105
Pillar Super fitting	45	45	37	82	105
Pillar Super 300	43	43	37	82	105
Pillar Super flare	41.5	41.5	37	82	105
Kurabo Final lock	39.5	39.5	37	82	105
Kurabo K-Fitter	31	31	37	82	105
Bueno Fit-One	48	48	37	82	105
Flare Type	45	45	37	82	105
Tube Type	40	40	37	82	105

ML, MPL