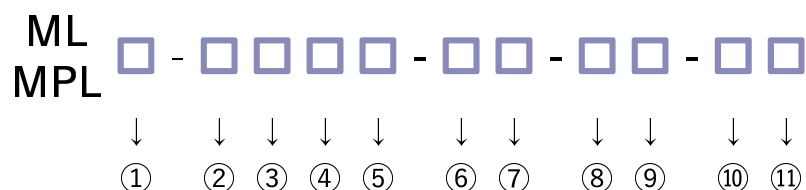


## 歧管閥 (Manifold Valves)

- 分離型本體的生產效率更高，比一體型價格更低，交期更短。
- 配管時更節省空間。
- 接流體部為氟化乙烯樹脂(PTFE)，抗腐蝕。
- 低粉塵清理(高面粗度加工、精密洗淨、積液少設計)。

## 型番表示方法 (How to order)



ML : 0.5MPa規格 (0.5MPa specification)  
MPL : 0.7MPa規格 (0.7MPa specification)

型番選擇例子 (Model Number Selection example)

ML2-8SA43-29-T10-EM

: 0.7MPa specification, Pillar Super 300, EPDM, M5  
A port – Right position,  $\Phi 8 \times \Phi 6$ (mm)  
B port1 –  $\Phi 4 \times \Phi 3$ (mm), Toggle  
B port2 –  $\Phi 4 \times \Phi 3$ (mm), NC, Flow adjustment  
B port3 –  $\Phi 4 \times \Phi 3$ (mm), NO, ON/OFF

ML3-8SB6-MMT

: 0.5MPa specification, Pillar Super 300  
A port – Both position,  $1/4" (\times 1/8")$   
B port1 –  $1/8" (\times 0.086")$ , Manual  
B port2 –  $1/8" (\times 0.086")$ , Manual  
B port3 –  $1/8" (\times 0.086")$ , Toggle

### ① A port 位置 (A port position)

1	左側 (Left position)	
2	右側 (Right position)	
3	兩側 (Both position)	

◎ : 標準在庫品 (Standard stock)  
○ : 受注生產品 (Made to order)  
— : 無在庫 (Not stock)

② A port 尺寸 (A port size)		—				8		86		10		15	
⑤ B port 尺寸 (B port size)		6		43		8		86		—			
	mm	Φ3 × Φ2		Φ4 × Φ3		Φ6 × Φ4		Φ8 × Φ6		Φ10 × Φ8		Φ12 × Φ10	
	inch	1/8" (×0.086")				1/4" (×5/32")				3/8" (×1/4")		1/2" (×3/8")	
③ 接續方式 (Connection method)		mm	inch	mm	inch	mm	inch	mm	inch	mm	inch	mm	inch
F	Flowell 20series	○	○	○	—	○	○ ※1	○	—				
R	Flowell 60series	○	○	○	—	○	○	○	—	○	○	○	○
H	Flowell 80series	—	—	—	—	○	○	—	—	○	○	○	○
P	Pillar Super fitting	○	○	○	—	○	○	—	—	○	○	○	○
S	Pillar Super 300	○	○	○	—	○	○	○	—	○	○	○	○
L	Pillar Super flare	—	—	—	—	○	○	○	—	○	○	○	○
K	Kurabo Final lock	—	—	—	—	○	○	—	—	○	○	○	○
C	Kurabo K-Fitter	—	—	—	—	○	○	—	—	○	○	○	○
B	Bueno Fit-One	—	—	—	—	○	○	○	—	○	○	○	○
X	Flare Type	—	—	—	—	—	○	—	—	—	○	—	○
T	Tube Type	—	—	—	—	○	○	○	—	○	○	○	○

#### ④ 管道規格 (Tube Standard)

A	mm
B	inch

#### ⑥ B port1 動作方式 (B port1 operation method) ※2 ※3

2	NC (Normal Close)
9	NO (Normal Open)
(No sign)	Manual or Toggle

#### ⑧ B port1 附加機能 (B port1 additional function) ※2 ※3

0	ON/OFF
1	流量調整機能 (Flow adjustment)
M	手動式 (Manual type)
T	手動肘節式 (Toggle type)

#### ⑩ O-Ring ※5

(No sign)	FKM
V	DAI-EL G902
E	EPDM

#### ⑦ B port2 動作方式 (B port2 operation method) ※2 ※3

2	NC (Normal Close)
9	NO (Normal Open)
(No sign)	Manual or Toggle

#### ⑨ B port2 附加機能 (B port2 additional function) ※2 ※3

0	ON/OFF
1	流量調整機能 (Flow adjustment)
M	手動式 (Manual type)
T	手動肘節式 (Toggle type)

#### ⑪ 操作 (Operation port)

(No sign)	Rc1/8
M	M5

#### 注記 (Note)

- ※1 : 配管尺寸為1/4" (× Φ 4.3)。
- ※2 : 請指定閥門的連接數。(例) 3連, NC, ON/OFF : 222-000
- ※3 : 請參照① A port的位置, 指定B port1。
- ※4 : 雖不接觸流體, 但有腐蝕性強的流體時請選擇。

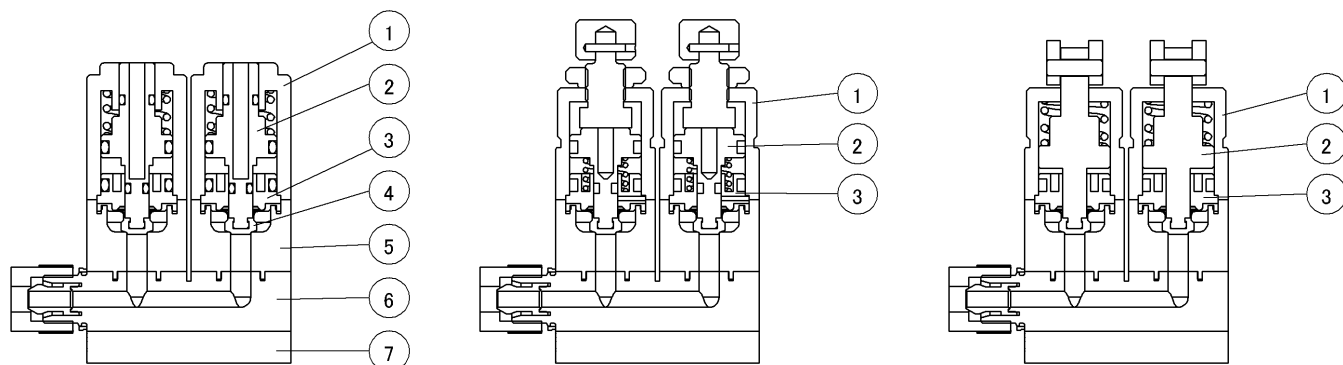
Manifold

Tube Fitting

3-Way

Tube Fitting

## 內部構造 (Internal structure)



品番 (No)	零件名 (Parts name)	材質 (Material)
①	外殼 (Case)	PP ※1
②	活塞 (Piston), 升降件 (Shaft)	PP
③	填料式旋塞閥 (Stuffing)	PP
④	薄膜 (Diaphragm)	PTFE
⑤	子體 (Sub body)	PTFE
⑥	主體 (Main body)	PTFE
⑦	底座 (Base)	PP

## 規格 (Specifications)

使用流體 (Fluid)	化學品・純水・氣體 (Chemical liquid, DIW, Gas) ※2			
流體溫度 (Fluid temperature range)	10~100°C			
雰囲気溫度 (Atmospheric temperature)	0~40°C			
接液體部分材質 (Materials of liquid flowed parts)	本體 (Body)	: PTFE		
	薄膜 (Diaphragm)	: PTFE		
B port 尺寸 (B port size)	6 (1/8")	43	8 (1/4")	86
通氣孔 (Orifice)	Φ5	Φ5	Φ5	Φ6

付加機能 (Additional function)	ON/OFF / Flow adjustment		Manual	Toggle
操作方式 (Operating system)	單動式 (Spring return actuation)		手動式 (Manual type)	手動肘節式 (Toggle type)
操作壓力 (Pneumatic supply pressure)				
0.5MPa規格 (0.5MPa specification)	0.35~0.6MPa			
0.7MPa規格 (0.7MPa specification)	0.4~0.6MPa			
流體壓力 (Fluid pressure range)				
0.5MPa規格 (0.5MPa specification)	A port→B port	0~0.5MPa	0~0.5MPa	0~0.5MPa
	B port→A port	0~0.4MPa	0~0.5MPa	0~0.4MPa
0.7MPa規格 (0.7MPa specification)	A port→B port	0~0.7MPa	0~0.7MPa	0~0.7MPa
	B port→A port	0~0.7MPa	0~0.7MPa	0~0.7MPa

**注記 (Note)**

※1: 手動形與肘節形的材質為PVDF。

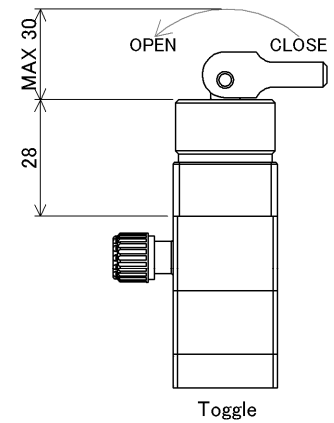
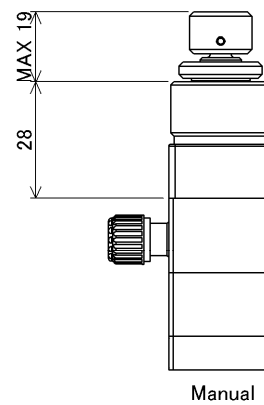
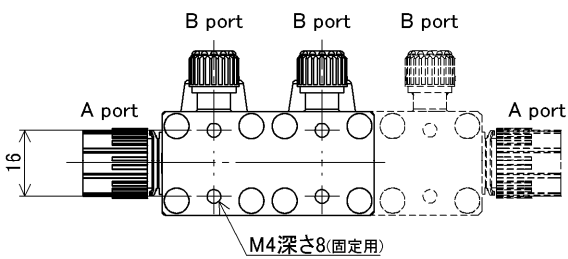
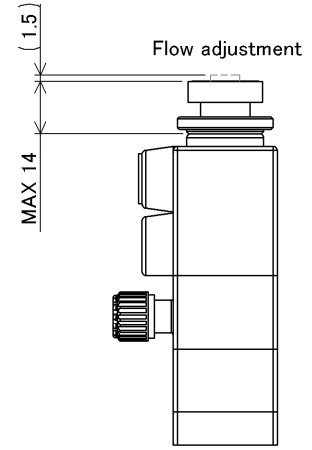
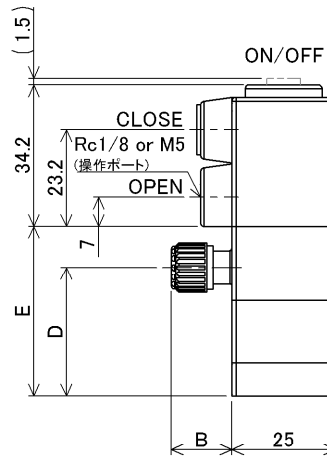
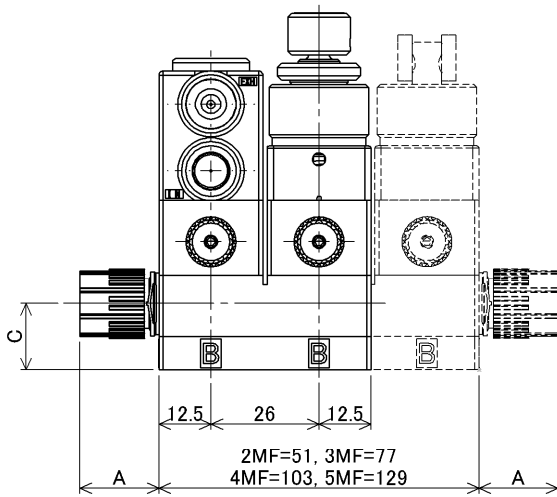
※2: 氣體在最大1cm<sup>3</sup>/min時, 有發生閥底泄露的可能性。

尺寸 (Dimensions)

- ▶ B port size :  $\Phi 3 \times \Phi 2$
- ▶ B port size : 1/8" ( $\times 0.086$ ")

ML □ - □□□6 - □□ - □□ - □ - □ - □

MPL □ - □□□6 - □□ - □□ - □ - □ - □



接続方式 (Connection method)	A port size				B	A port size								
	8	86	10	15		8			86			10 / 15		
	A					C	D	E	C	D	F	C	D	E
Flowell 20series	17	18	21	25	9	16	31	41	16.5	36	46	20	41	51
Flowell 60series	31	31	39	39	17.5	16	31	41	16.5	36	46	20	41	51
Pillar Super fitting	19.5	—	26.5	30	14.5	16	31	41	—	—	—	20	41	51
Pillar Super 300	19	22	25	29	14.5	16	31	41	16.5	36	46	20	41	51

Manifold

Tube Fitting

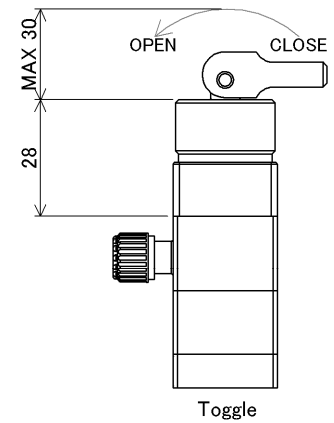
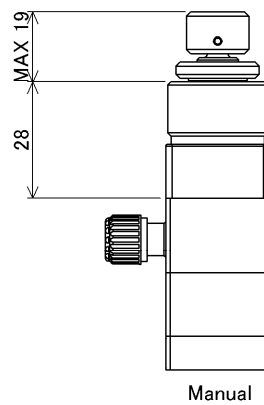
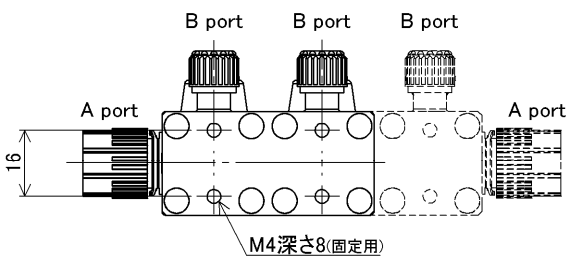
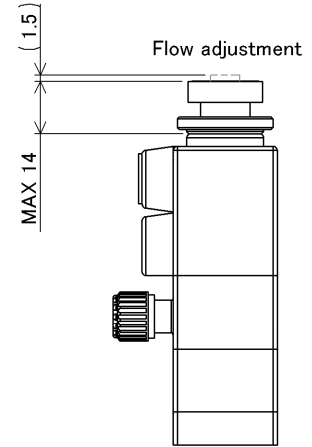
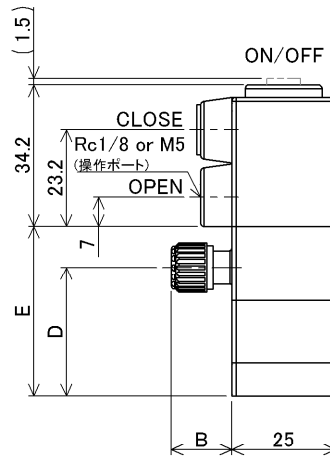
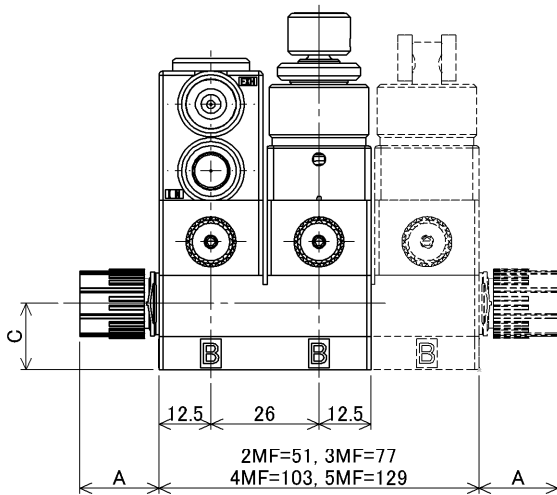
3-Way

Tube Fitting

尺寸 (Dimensions)

▶ B port size :  $\Phi 4 \times \Phi 3$

ML □ - □□□ **43** - □□ - □□ - □ - □ - □  
 MPL

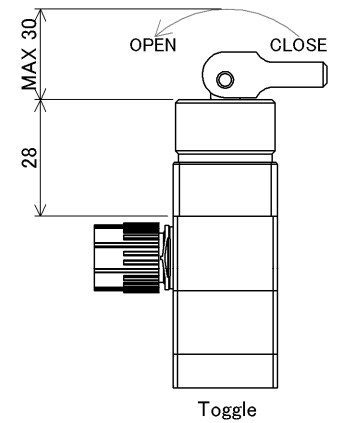
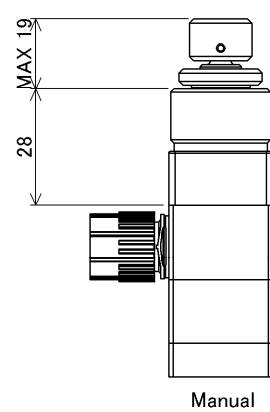
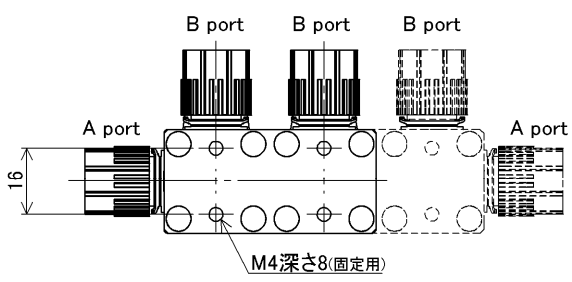
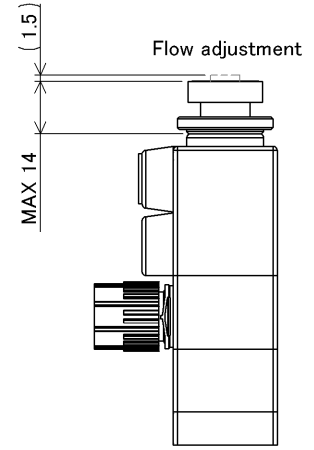
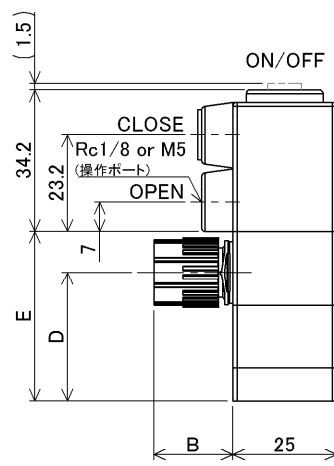
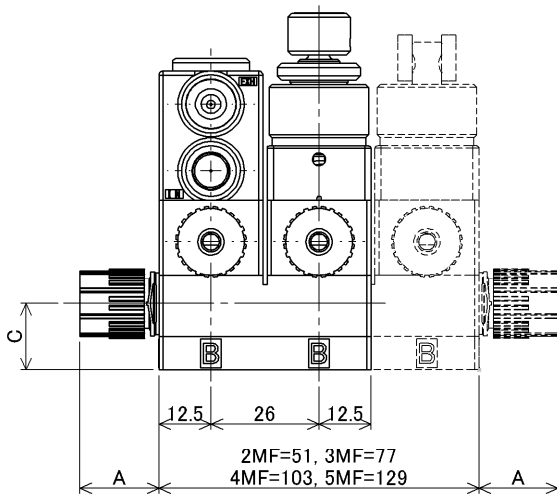


接続方式 (Connection method)	A port size				B	A port size								
	8	86	10	15		8			86			10 / 15		
	A					C	D	E	C	D	F	C	D	E
Flowell 20series	17	18	21	25	11	16	31	41	16.5	36	46	20	41	51
Flowell 60series	31	31	39	39	20.5	16	31	41	16.5	36	46	20	41	51
Pillar Super fitting	19.5	—	26.5	30	14.5	16	31	41	—	—	—	20	41	51
Pillar Super 300	19	22	25	29	14.5	16	31	41	16.5	36	46	20	41	51

尺寸 (Dimensions)

- ▶ B port size :  $\Phi 6 \times \Phi 4$
- ▶ B port size :  $1/4" (\times 5/32")$  ,  $1/4" (\times \Phi 4.3)$

ML  -    8 -   -   -  -  - 



接続方式 (Connection method)	A port size				B	A port size								
	8	86	10	15		8			86			10 / 15		
	A					C	D	E	C	D	F	C	D	E
Flowell 20series	17	18	21	25	17	16	31	41	16.5	36	46	20	41	51
Flowell 60series	31	31	39	39	31	16	31	41	16.5	36	46	20	41	51
Flowell 80series	20	—	25.5	29	20	16	31	41	—	—	—	20/ 20.5	41	51
Pillar Super fitting	19.5	—	26.5	30	19.5	16	31	41	—	—	—	20	41	51
Pillar Super 300	19	22	25	29	19	16	31	41	16.5	36	46	20	41	51
Pillar Super flare	18.9	20.5	24.8	28.8	18.9	16	31	41	16.5	36	46	20	41	51
Kurabo Final lock	20.5	—	29	30	20.5	16	31	41	—	—	—	20	41	51
Kurabo K-Fitter	20	—	20	23	20	16	31	41	—	—	—	20	41	51
Bueno Fit-One	23.5	27.7	27.7	32	23.5	16	31	41	16.5	36	46	20	41	51
Flare Type	29	—	31.8	33.8	29	16	31	41	—	—	—	20	41	51
Tube Type	17	18	24	25	17	16	31	41	16.5	36	46	20	41	51

Manifold

Tube Fitting

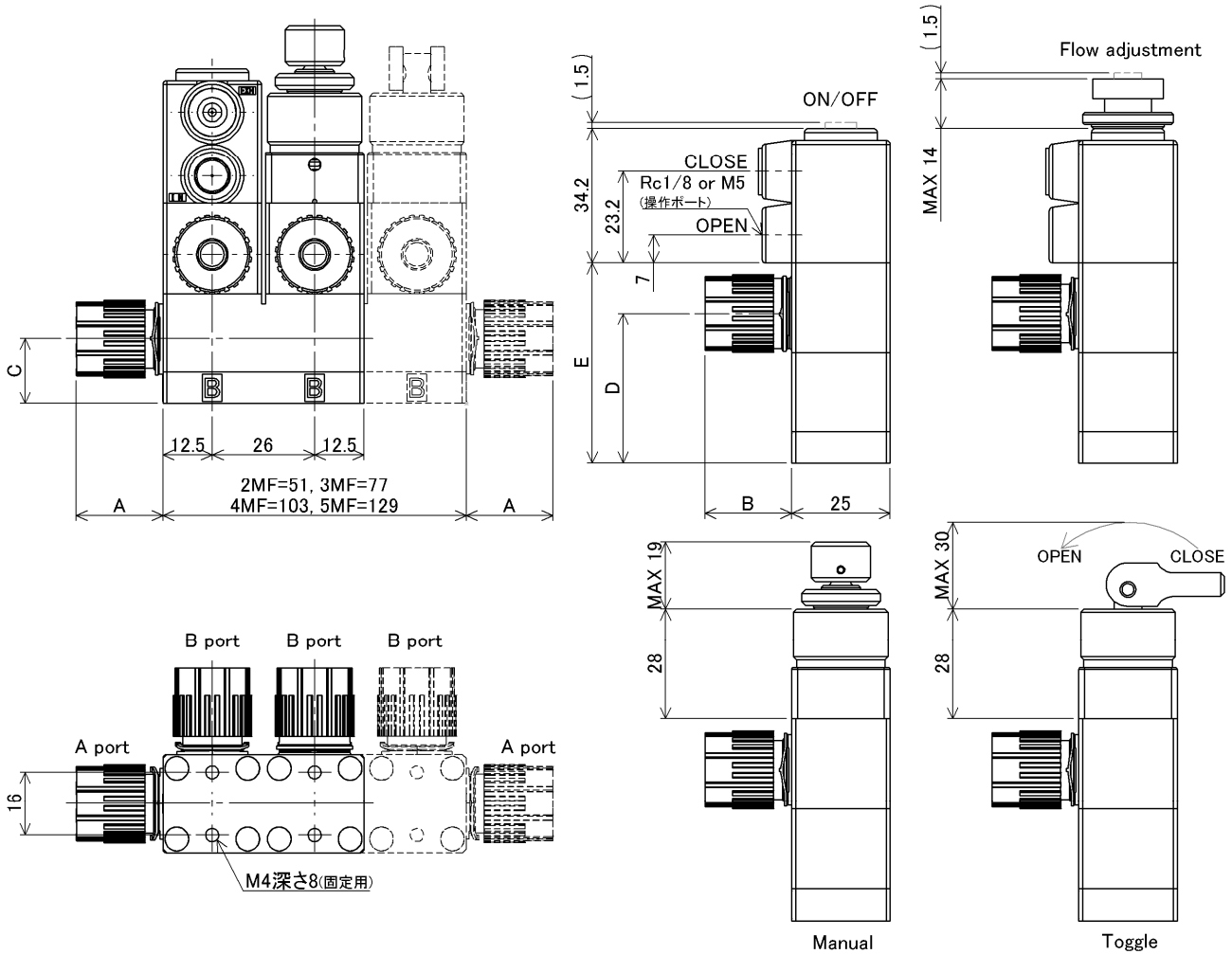
3-Way

Tube Fitting

尺寸 (Dimensions)

▶ B port size :  $\Phi 8 \times \Phi 6$

ML   -     **86** -    -    -   -   -  



接続方式 (Connection method)	A port size				B	86			10 / 15		
	8	86	10	15		C	D	F	C	D	E
Flowell 20series	17	18	21	25	18	16.5	38	51	20	43	56
Flowell 60series	31	31	39	39	31	16.5	38	51	20	43	56
Pillar Super 300	19	22	25	29	22	16.5	38	51	20	43	56
Pillar Super flare	18.9	20.5	24.8	28.8	20.5	16.5	38	51	20	43	56
Bueno Fit-One	23.5	27.7	27.7	32	27.7	16.5	38	51	20	43	56
Tube Type	17	18	24	25	18	16.5	38	51	20	43	56

ML, MPL