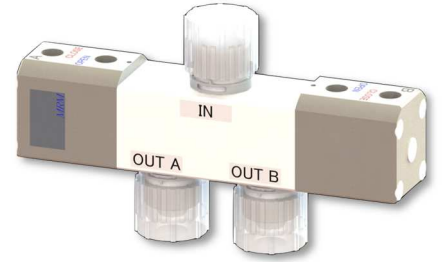
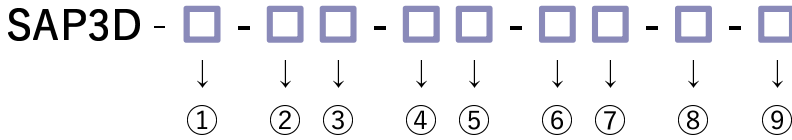


三通閥 (3-Way Valves)

- 可對應各種接續方式。
- 接流體部為氟化乙烯樹脂(PFA/PTFE)，抗腐蝕。
- 低粉塵清理(高面粗度加工、精密洗淨、平面構造)。
- MRM獨自的安全構造(高壓對策及熱循環對策)。



型番表示方法 (How to order)



型番選擇例子 (Model Number Selection example)

SAP3D-15-SB-29-10-Y
 : 1/2"(×3/8"), Pillar Super 300, FKM, Bolt coating
 OUT A – NC, Flow adjustment
 OUT B – NO, ON/OFF

◎ : 標準在庫品 (Standard stock)
 ○ : 受注生産品 (Made to order)
 — : 無在庫 (Not stock)

① 閥門尺寸 (Valve size)		10		15		20		25	
	mm	Φ 10 × Φ 8		Φ 12 × Φ 10		Φ 19 × Φ 16		Φ 25 × Φ 22	
	inch	3/8"(×1/4")		1/2"(×3/8")		3/4"(×5/8")		1"(×7/8")	
② 接續方式 (Connection method)		mm	inch	mm	inch	mm	inch	mm	inch
F	Flowell 20series	○	○	○	○	○	○	○	○
FA	Flowell 20Aseries	○	○	○	○	○	○	○	○
R	Flowell 60series	○	○	○	○	○	○	○	○
H	Flowell 80series	○	○	○	○	○	○	○	○
P	Pillar Super fitting	○	○	○	○	○	○	○	○
S	Pillar Super 300	○	○	○	○	○	○	○	○
L	Pillar Super flare	○	○	○	○	○	○	○	○
K	Kurabo Final lock	○	○	○	○	○	○	○	○
C	Kurabo K-Fitter	○	○	○	○	○	○	○	○
B	Bueno Fit-One	○	○	○	○	○	○	○	○
X	Flare Type	—	○	—	○	—	○	—	○
T	Tube Type	○	○	○	○	○	○	○	○

③ 管道規格 (Tube Standard)	
A	mm
B	inch

④ OUT A 動作方式 (Operation method)	
2	NC (Normal Close)
9	NO (Normal Open)

⑤ OUT B 動作方式 (Operation method)	
2	NC (Normal Close)
9	NO (Normal Open)

⑥ OUT A 付加機能 (Additional function)	
0 / 5 ※1	ON/OFF
1 / 6 ※1	流量調整機能 (Flow adjustment)

⑦ OUT B 付加機能 (Additional function)	
0 / 5 ※1	ON/OFF
1 / 6 ※1	流量調整機能 (Flow adjustment)

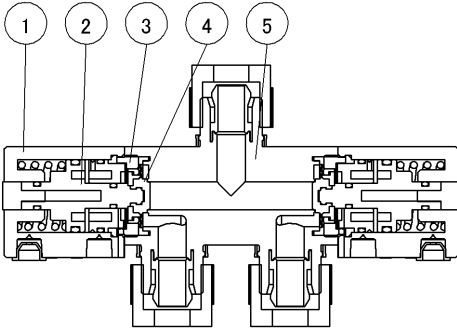
注記 (Note)

※1: 閥門尺寸是10/15的時候或者為0、1或20/25時請選擇5或者6。

⑧ O-Ring ※1	
(No sign)	FKM
V	DAI-EL G902
E	EPDM

⑨ 螺母塗層 (Bolt coating) ※1	
(No sign)	無塗層 (Not coated)
Y	有塗層 (Coated)

內部構造 (Internal structure)



品番 (No)	零件名 (Parts name)	材質 (Material)
①	外殼 (Case)	PP
②	活塞 (Piston)	PP
③	填料式旋塞閥 (Stuffing)	PP
④	薄膜 (Diaphragm)	PTFE
⑤	本體 (Body)	PTFE

規格 (Specifications)

使用流體 (Fluid)	化學品・純水・氣體 (Chemical liquid, DIW, Gas) ※2			
流體溫度 (Fluid temperature range)	10~100°C			
大氣溫度 (Atmospheric temperature)	0~40°C			
接液體部分材質 (Materials of liquid flowed parts)	本體 (Body)	: PTFE		
	薄膜 (Diaphragm)	: PTFE		
操作方式 (Operating system)	單動式 (Spring return actuation)			
操作壓力 (Pneumatic supply pressure)	0.3~0.6MPa			
閥門尺寸 (Valve size)	10 (3/8")	15 (1/2")	20 (3/4")	25 (1")
通氣孔 (Orifice)	Φ8	Φ10	Φ16	Φ22
流體壓力 (Fluid pressure range)				
0.3MPa規格 (0.3MPa specification)	IN→OUT	0~0.3MPa		
	背壓 (Back pressure)	0~0.3MPa	0~0.2MPa	0~0.1MPa

注記 (Note)

- ※1: 雖不接觸流體, 但有腐食性的流體時請選擇。
- ※2: 氣體在最大1cm³/min時, 有發生閥底泄露之可能性。

Manifold

Tube Fitting

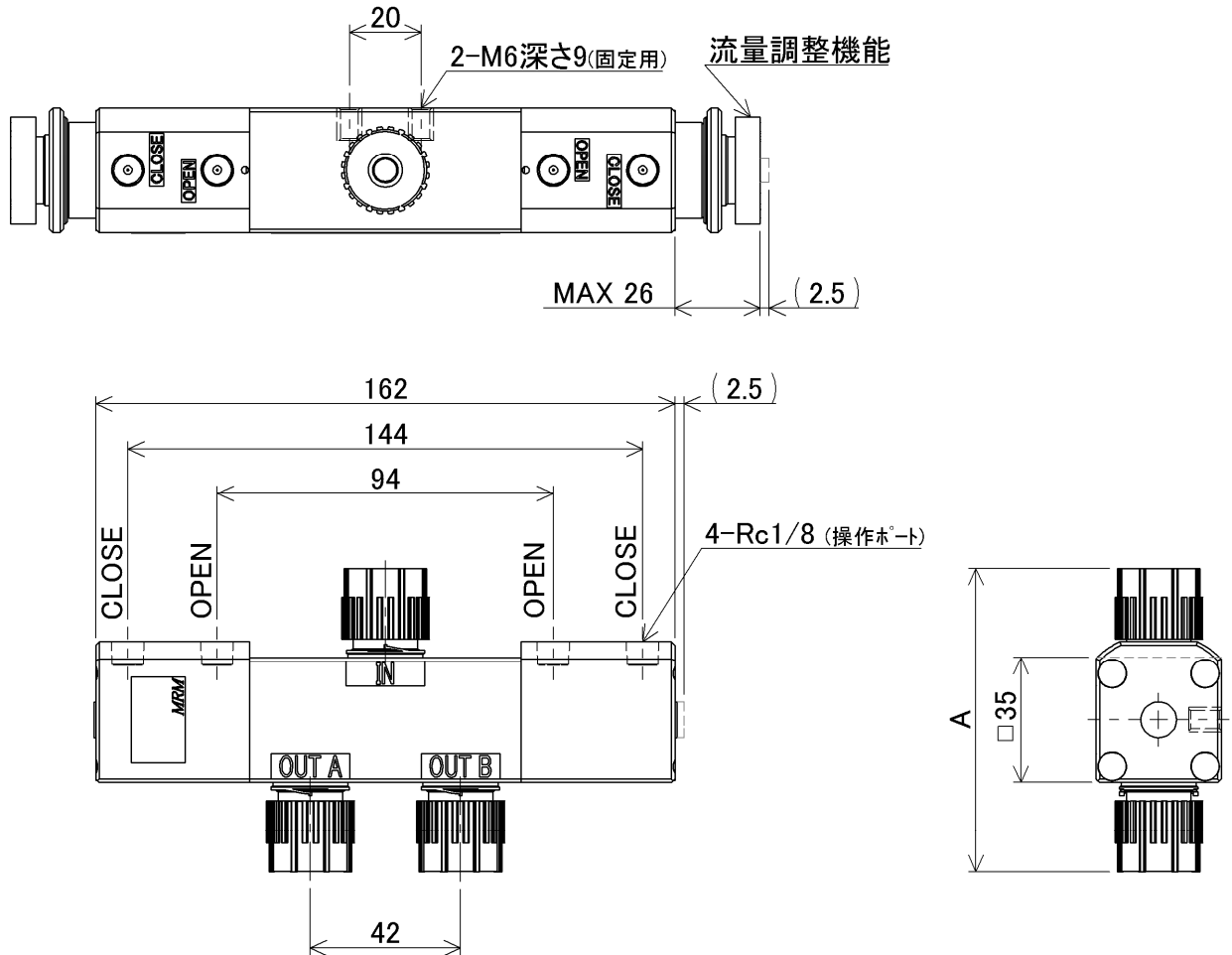
3-Way

Tube Fitting

尺寸 (Dimensions)

- ▶ $\Phi 10 \times \Phi 8$
- ▶ $3/8" (\times 1/4")$

SAP3D - 10 - □□ - □□ - □□ - □ - □

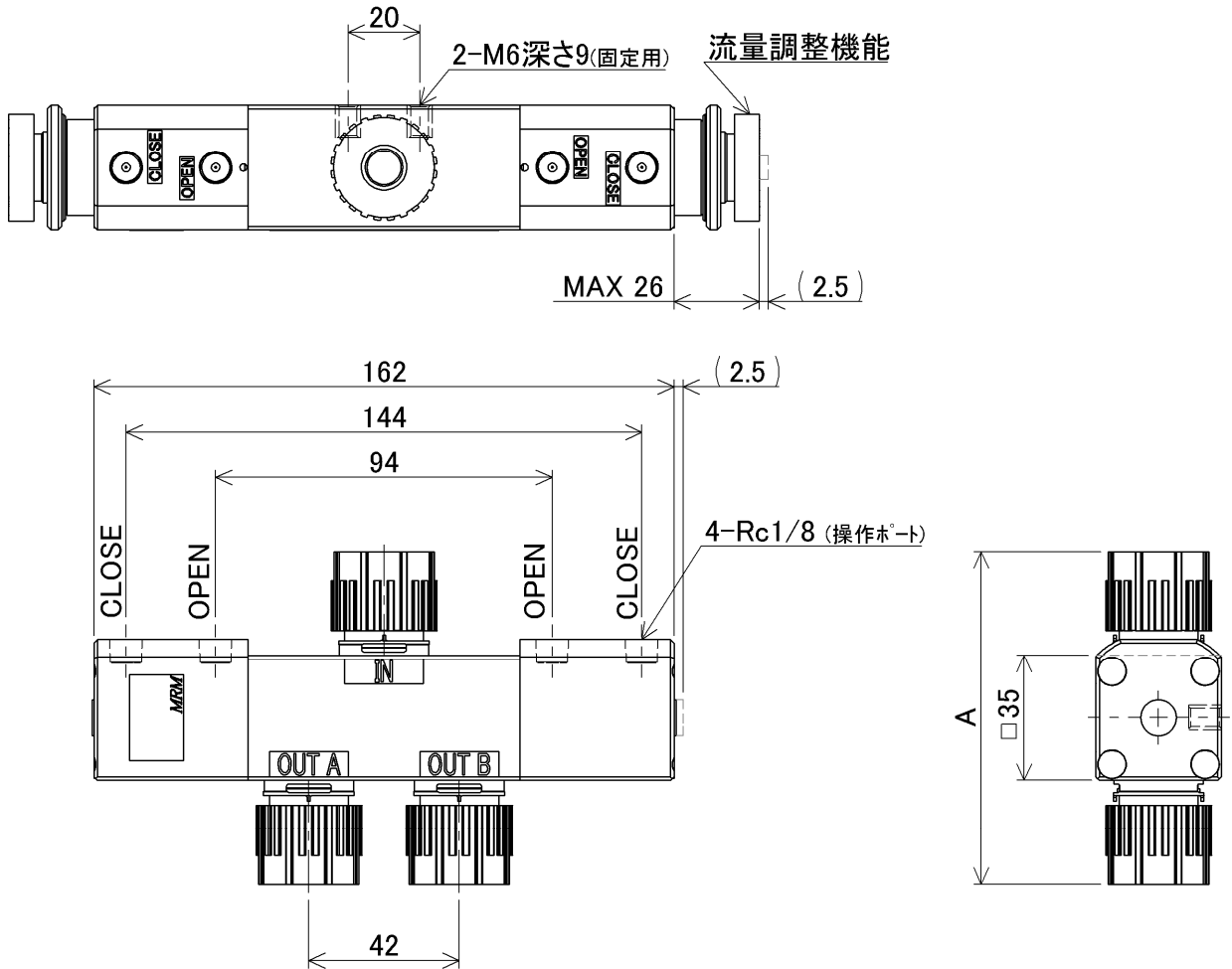


接続方式 (Connection method)	A
Flowell 20series	77
Flowell 20Aseries	77
Flowell 60series	113
Flowell 80series	86
Pillar Super fitting	88
Pillar Super 300	85
Pillar Super flare	84.6
Kurabo Final lock	93
Kurabo K-Fitter	75
Bueno Fit-One	90.4
Flare Type	98.6
Tube Type	83

尺寸 (Dimensions)

- ▶ $\Phi 12 \times \Phi 10$
- ▶ 1/2" ($\times 3/8$ ")

SAP3D - 15 - □□ - □□ - □□ - □ - □



Manifold

Tube Fitting

3-Way

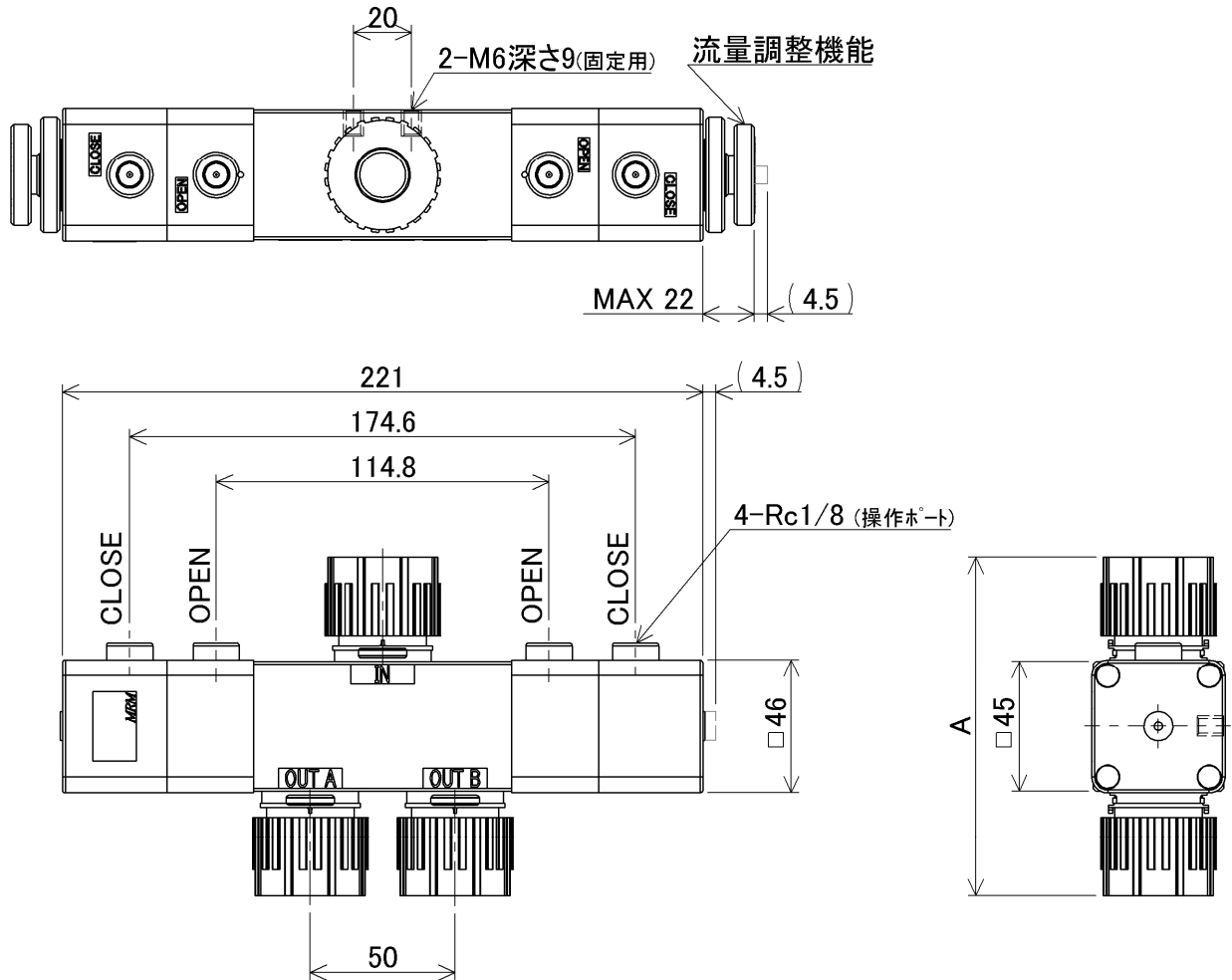
Tube Fitting

接續方式 (Connection method)	A
Flowell 20series	85
Flowell 20Aseries	85
Flowell 60series	113
Flowell 80series	93
Pillar Super fitting	95
Pillar Super 300	93
Pillar Super flare	92.6
Kurabo Final lock	95
Kurabo K-Fitter	81
Bueno Fit-One	99
Flare Type	102.6
Tube Type	85

尺寸 (Dimensions)

- ▶ $\Phi 19 \times \Phi 16$
- ▶ $3/4" (\times 5/8")$

SAP3D - 20 - □□ - □□ - □□ - □ - □

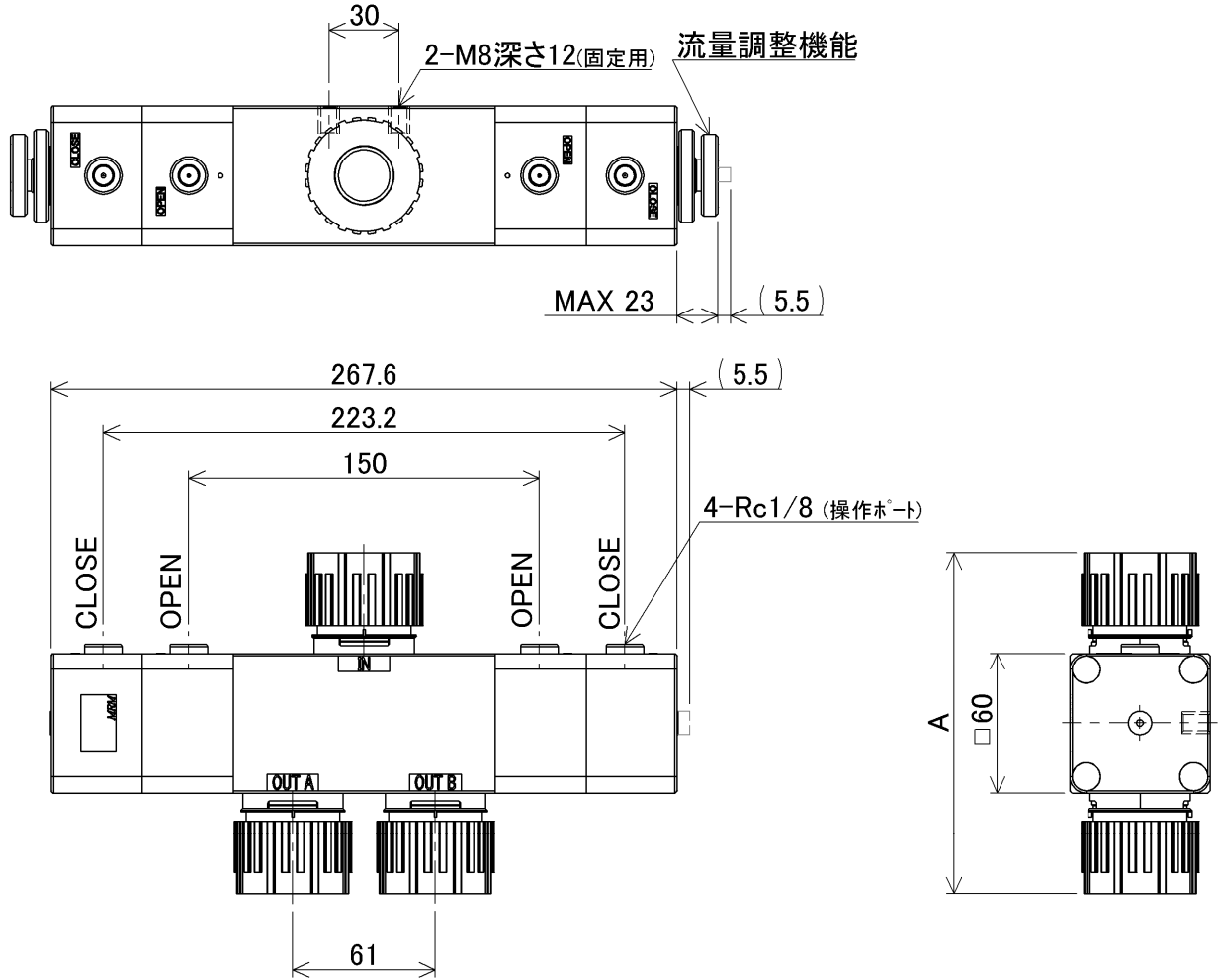


接続方式 (Connection method)	A
Flowell 20series	107
Flowell 20Aseries	107
Flowell 60series	133
Flowell 80series	118
Pillar Super fitting	124
Pillar Super 300	117
Pillar Super flare	116.6
Kurabo Final lock	114
Kurabo K-Fitter	99
Bueno Fit-One	127
Flare Type	118.6
Tube Type	105

尺寸 (Dimensions)

- ▶ $\Phi 25 \times \Phi 22$
- ▶ 1" ($\times 7/8$ ")

SAP3D - 25 - □□ - □□ - □□ - □ - □



Manifold

Tube Fitting

3-Way

Tube Fittings

接續方式 (Connection method)	A
Flowell 20series	144
Flowell 20Aseries	144
Flowell 60series	162
Flowell 80series	138
Pillar Super fitting	150
Pillar Super 300	146
Pillar Super flare	143
Kurabo Final lock	139
Kurabo K-Fitter	122
Bueno Fit-One	156
Flare Type	150
Tube Type	140