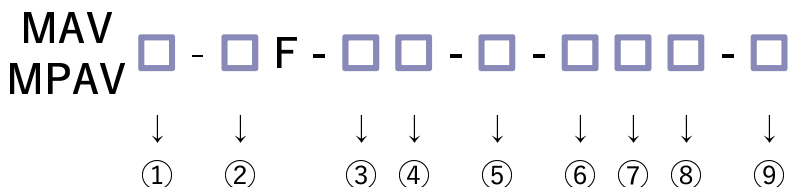


气动阀 (Air-Operated Valves)

- 可对应Flowell 60series/Flare Type。
- 接流体部全部都是氟化乙烯树脂(PFA/PTFE)，抗腐蚀。
- 超低粉尘清理(表面粗糙度加工、精密洗净、全平构造)。
- MRM独自的安全构造(高压对策及循环加热对策)。



型号表示方法 (How to order)



MAV : 0.3MPa规格 (0.3MPa specification)
 MPAV : 0.5/0.7MPa规格 (0.5/0.7MPa specification)

型号选择例 (Model Number Selection example)

MPAV2-15F-XB-0-E1B-5K

: NC, 1/2" (×3/8"), Flare Type, ON/OFF, EPDM, Bottom mounting, 0.5MPa specification

| ① 制动方式 (Operation method) | |
|---------------------------|-------------------|
| 2 | NC (Normal Close) |
| 9 | NO (Normal Open) |

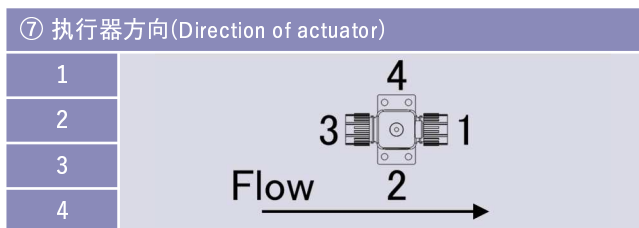
◎ : 标准在库品 (Standard stock)
 ○ : 受注生产产品 (Made to order)
 — : 无在库 (Not stock)

| ② 阀门尺寸 (Valve size) | | 10 | | 15 | | 20 | | 25 | |
|----------------------------|------------------|--------------|------|--------------|------|--------------|------|------------|------|
| | mm | Φ10 × Φ8 | | Φ12 × Φ10 | | Φ19 × Φ16 | | Φ25 × Φ22 | |
| | inch | 3/8" (×1/4") | | 1/2" (×3/8") | | 3/4" (×5/8") | | 1" (×7/8") | |
| ③ 连接方式 (Connection method) | | mm | inch | mm | inch | mm | inch | mm | inch |
| R | Flowell 60series | — | ◎ ※1 | ◎ ※1 | ◎ ※1 | ◎ ※1 | ◎ ※1 | ◎ ※1 | ◎ ※1 |
| X | Flare Type | — | ◎ | — | ◎ | — | ◎ | — | ◎ |

| ④ 管道规格 (Tube Standard) | |
|------------------------|------|
| A | mm |
| B | inch |

| ⑤ 附加功能 (Additional function) | |
|------------------------------|--------------------------|
| 0 | ON/OFF |
| 1 | 流量调节功能 (Flow adjustment) |

| ⑥ O-Ring ※2 | |
|-------------|-------------|
| (No sign) | FKM |
| V | DAI-EL G902 |
| E | EPDM |



| ⑧ 固定 (Mounting) | |
|-----------------|------------------------|
| (No sign) | 法兰固定 (Flange mounting) |
| B | 底座固定 (Bottom mounting) |

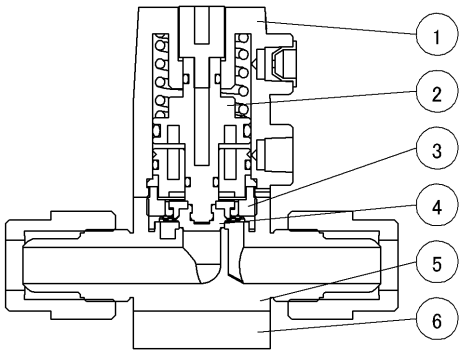
| ⑨ 流体压力 (Fluid pressure range) ※3 | |
|----------------------------------|------------------------------------|
| 5K | 0.5MPa规格 (0.5MPa specification) |
| (No sign) | 0.7MPa规格 (0.7MPa specification) ※4 |

注释 (Note)

- ※1 : 0.5/0.7MPa的规格属于受注生产产品。
- ※2 : 虽不接触流体，但有腐蚀性高的流体时请选择。
- ※3 : 只在选用MPAV型号时，选择使用。
- ※4 : 阀门尺寸“25”的0.7MPa规格的详细请另行咨询。

MAV, MPAV (ON/OFF, Flow adjustment)

内部构造 (Internal structure) ※1



| 品号 (No) | 零件名 (Parts name) | 材质 (Material) |
|---------|-------------------|---------------|
| ① | 外盒 (Case) | PP |
| ② | 活塞 (Piston) | PP |
| ③ | 填料式旋塞阀 (Stuffing) | PP |
| ④ | 薄膜 (Diaphragm) | PTFE |
| ⑤ | 本体 (Body) | PFA |
| ⑥ | 底座 (Base) | PP |

规格 (Specifications)

| | | | | |
|--|--|---------------|-----------|----------|
| 使用流体 (Fluid) | 化学品·纯水·气体 (Chemical liquid, DIW, Gas) ※2 | | | |
| 流体温度 (Fluid temperature range) | 10~100°C | | | |
| 大气温度 (Atmospheric temperature) | 0~40°C | | | |
| 液体流动部分的材质 (Materials of liquid flowed parts) | 本体 (Body) | : PFA | | |
| | 薄膜 (Diaphragm) | : PTFE | | |
| 操作方式 (Operating system) | 单动 (Spring return actuation) | | | |
| 气压压力 (Pneumatic supply pressure) | 0.3MPa规格 (0.3MPa specification) | : 0.3~0.6MPa | | |
| | 0.5MPa规格 (0.5MPa specification) | : 0.45~0.6MPa | | |
| | 0.7MPa规格 (0.7MPa specification) | : 0.45~0.6MPa | | |
| 阀门尺寸 (Valve size) | 10 (3/8") | 15 (1/2") | 20 (3/4") | 25 (1") |
| 流通孔 (Orifice) | Φ8 | Φ10 | Φ16 | Φ22 |
| 流体压力 (Fluid pressure range) | | | | |
| 0.3MPa规格 (0.3MPa specification) | IN→OUT | 0~0.3MPa | | |
| | 背压 (Back pressure) | 0~0.3MPa | 0~0.2MPa | 0~0.1MPa |
| 0.5MPa规格 (0.5MPa specification) | IN→OUT | 0~0.5MPa | | |
| | 背压 (Back pressure) | 0~0.5MPa | | |
| 0.7MPa规格 (0.7MPa specification) | IN→OUT | 0~0.7MPa | | ASK |
| | 背压 (Back pressure) | 0~0.7MPa | | ASK |

注释 (Note)

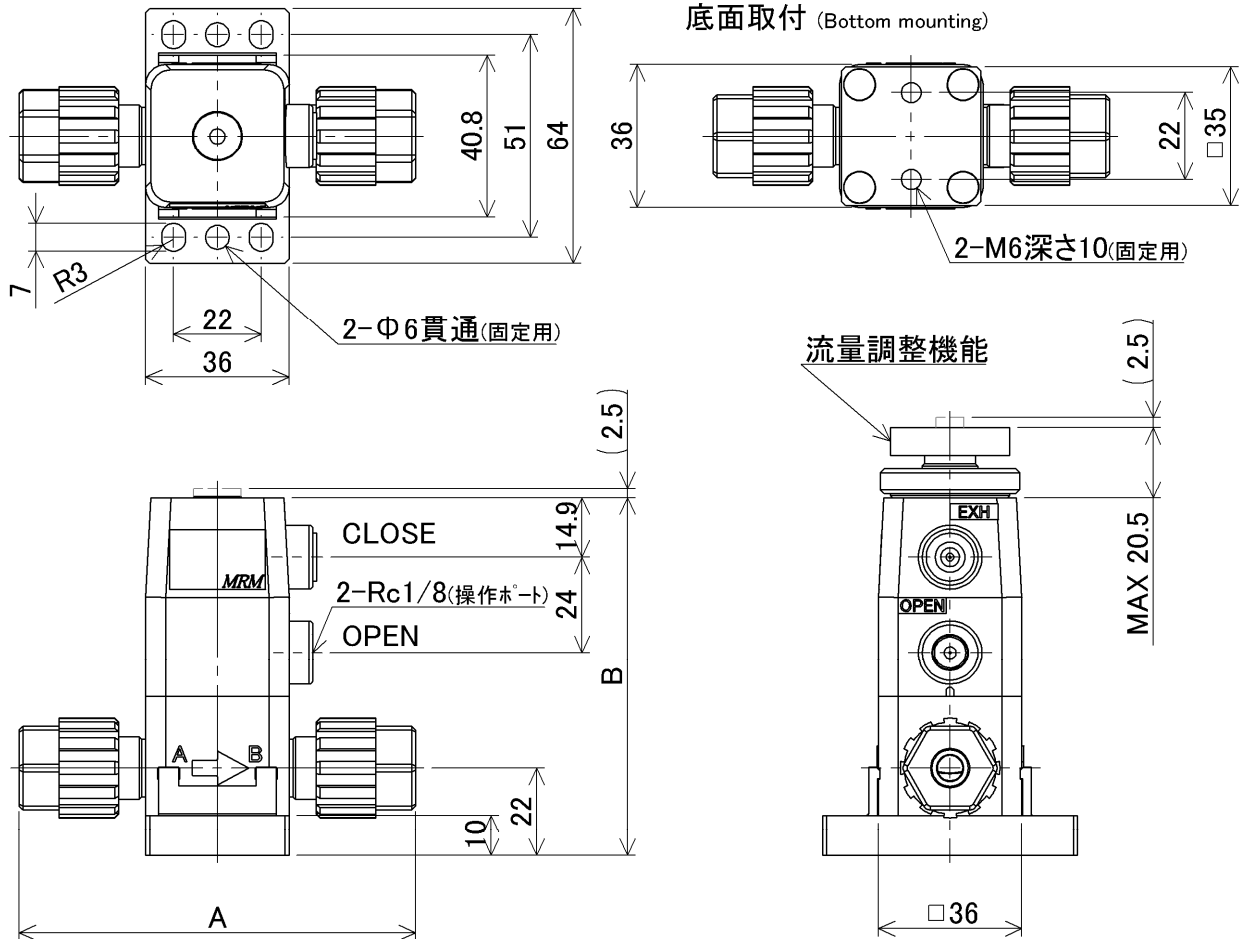
※1: 0.3MPa规格与0.5/0.7MPa规格有部分形状差异。

※2: 气体在最大1cm³/min的时候, 有可能会发生阀底座泄露。

尺寸 (Dimensions)

▶ 3/8" (×1/4")

MAV □ - 10 F - □□ - □ - □ 1 □ - □
MPAV □ - 10 F - □□ - □ - □ 1 □ - □



0.5/0.7MPa规格

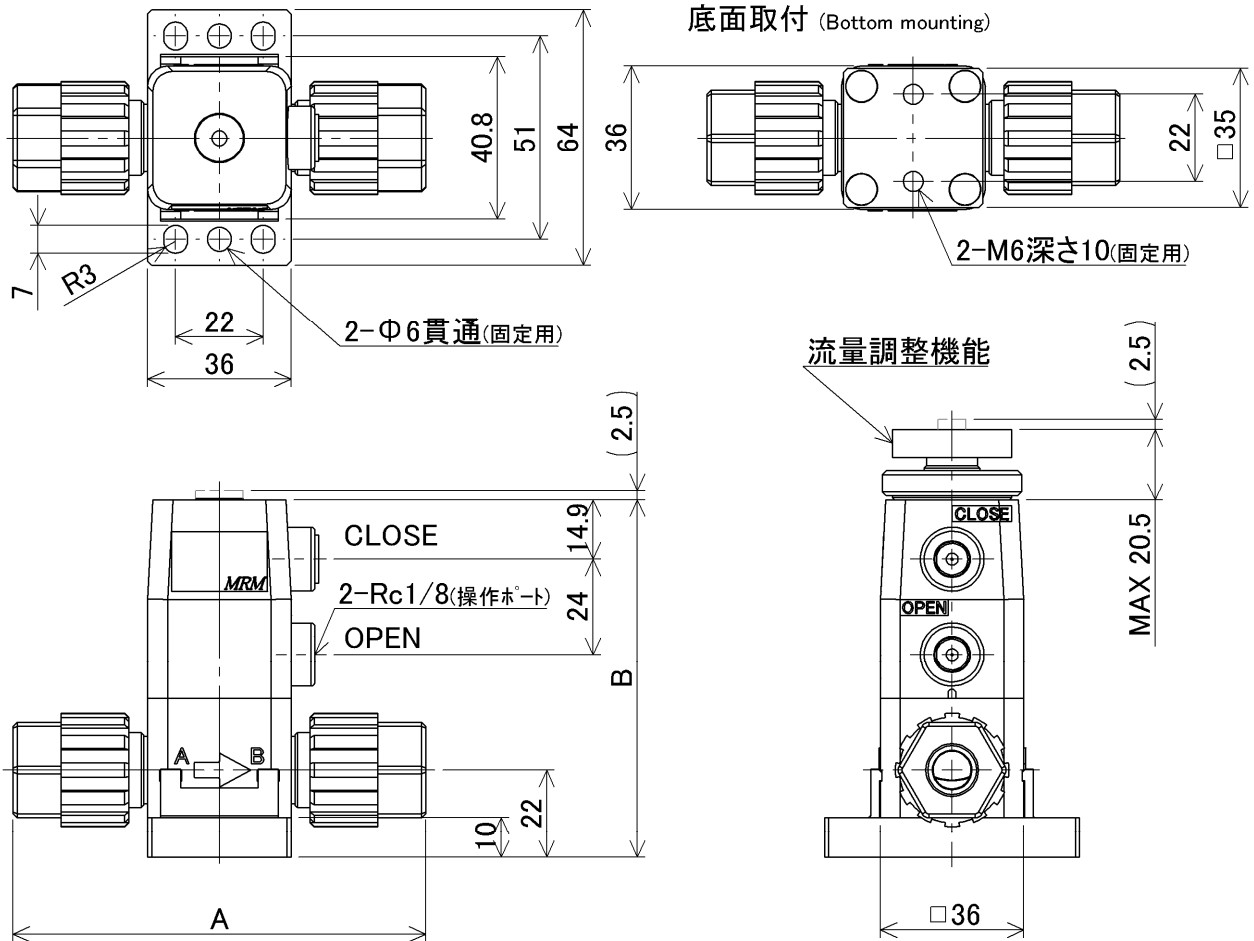
| 连接方式 (Connection method) | A | B | B |
|-----------------------------|------|----|----|
| Flowell 60series | 114 | 90 | 98 |
| Flare Type | 99.6 | 90 | 98 |

MAV, MPAV (ON/OFF, Flow adjustment)

尺寸 (Dimensions)

- ▶ $\Phi 12 \times \Phi 10$, N10
- ▶ 1/2" (×3/8")

MAV □ - 15 F - □□ - □ - □ 1 □ - □
MPAV □ - 15 F - □□ - □ - □ 1 □ - □



0.5/0.7MPa规格

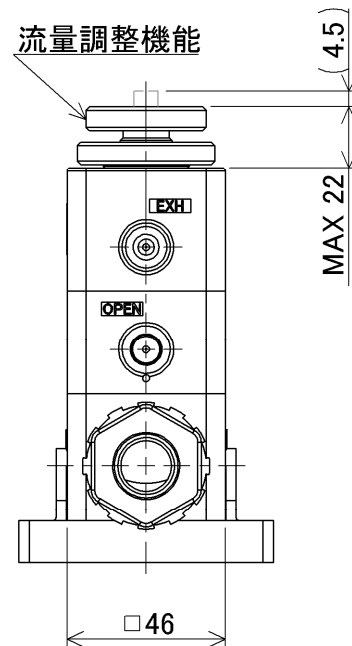
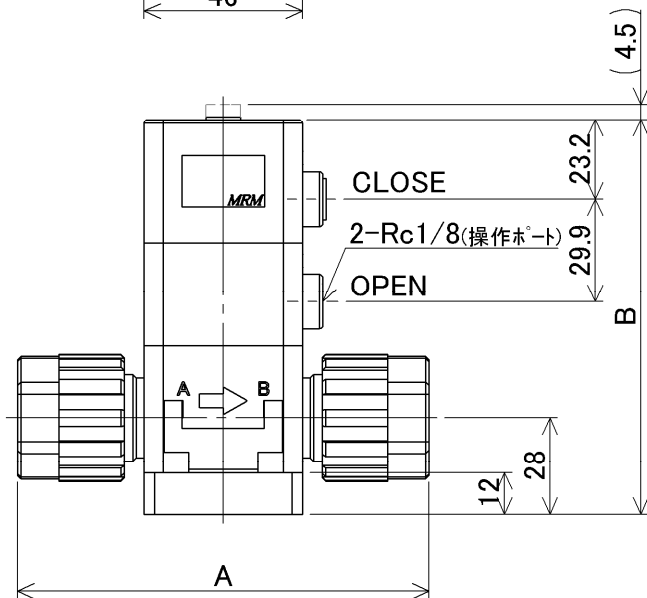
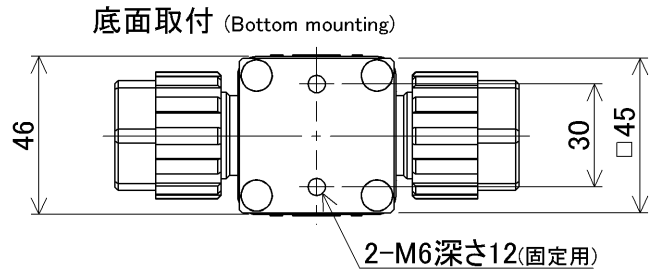
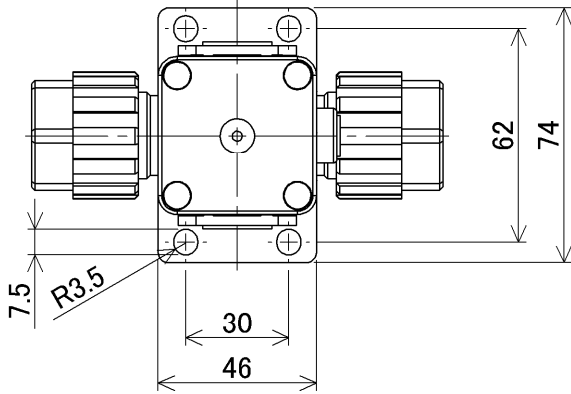
| 连接方式 (Connection method) | A | B | B |
|-----------------------------|-------|----|----|
| Flowell 60series | 114 | 90 | 98 |
| Flare Type | 103.6 | 90 | 98 |

| |
|--|
| PFA |
| Flare Type Flowell 60series |
| Pillar Super 300 Pillar Super flare |
| PTFE |
| Tube Fitting |
| PTFE (HI-TEMP) |
| Tube Fitting |
| Other |
| Union |

尺寸 (Dimensions)

- ▶ $\Phi 19 \times \Phi 16$, N16
- ▶ 3/4" (×5/8")

MAV □ - 20 F - □□ - □ - □ 1 □ - □
 MPAV □ - 20 F - □□ - □ - □ 1 □ - □



0.5/0.7MPa规格

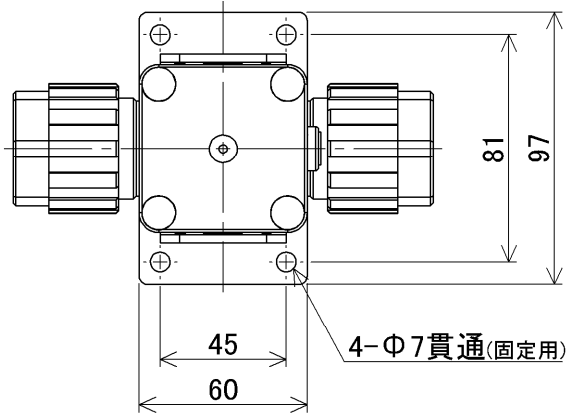
| 连接方式 (Connection method) | A | B | B |
|-----------------------------|-------|-----|-----|
| Flowell 60series | 134 | 115 | 125 |
| Flare Type | 119.6 | 115 | 125 |

MAV, MPAV (ON/OFF, Flow adjustment)

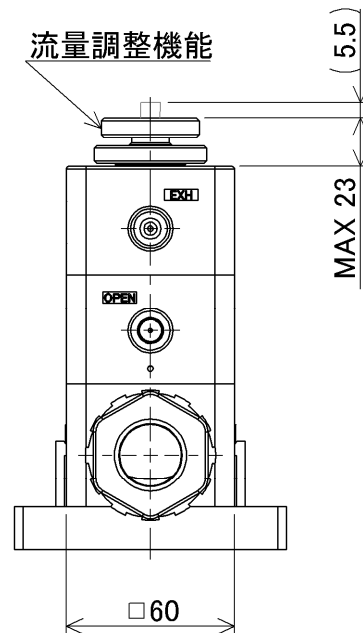
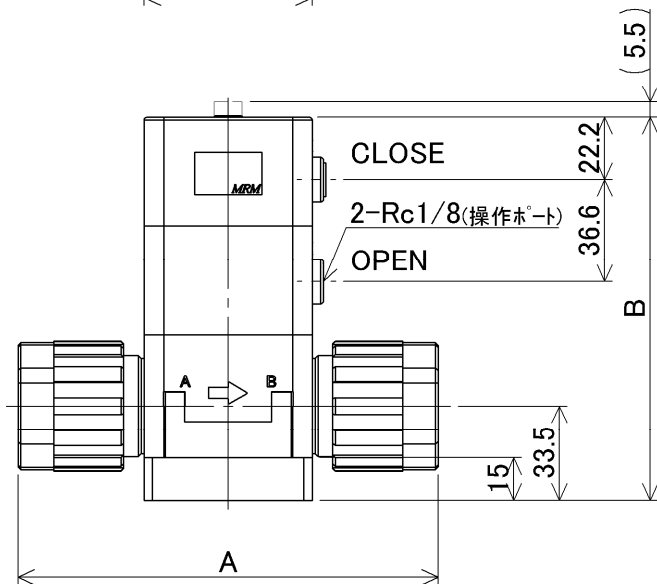
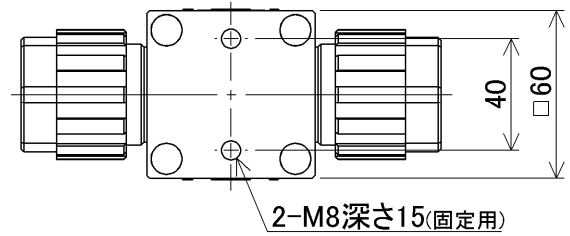
尺寸 (Dimensions)

- ▶ $\Phi 25 \times \Phi 22$, N22
- ▶ 1" ($\times 7/8$ ")

MAV □ - 25 F - □□ - □ - □ 1 □ - □
MPAV □ - 25 F - □□ - □ - □ 1 □ - □



底面取付 (Bottom mounting)



0.5/0.7MPa规格

| 连接方式 (Connection method) | A | B | C |
|-----------------------------|-----|-------|-------|
| Flowell 60series | 162 | 136.8 | 144.8 |
| Flare Type | 150 | 136.8 | 144.8 |

| | | | | | | | | |
|------------------|------------|--------------------|------|--------------|----------------|--------------|-------|-------|
| PFA | Flare Type | Pillar Super 300 | PTFE | Tube Fitting | PTFE (HI-TEMP) | Tube Fitting | Other | Union |
| Flowell 60series | | Pillar Super flare | | | | | | |