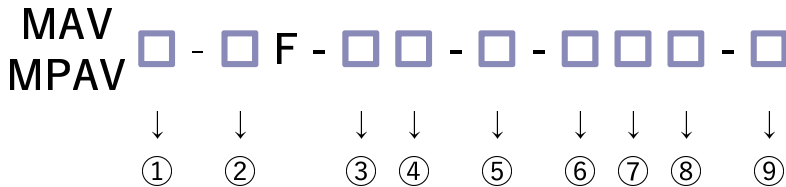


## 氣動閥(Air-Operated Valves)

- 可對應Flowell 60series/Flare Type。
- 接流體部全部都是氟化乙烯樹脂(PFA/PTFE)，抗腐蝕。
- 超低粉塵清理(表面粗糙度加工、精密洗淨、全平構造)。
- MRM獨自的安全構造(高壓對策及循環加熱對策)。



## 型番表示方法 (How to order)



MAV : 0.3MPa規格 (0.3MPa specification)  
MPAV : 0.5/0.7MPa規格 (0.5/0.7MPa specification)

型番選擇例子 (Model Number Selection example)

MPAV2-15F-XB-0-E1B-5K

: NC, 1/2" (×3/8"), Flare Type, ON/OFF, EPDM, Bottom mounting, 0.5MPa specification

① 動作方式 (Operation method)									
2	NC (Normal Close)								
9	NO (Normal Open)								

② 閥門尺寸 (Valve size)		10		15		20		25	
	mm	Φ10 × Φ8		Φ12 × Φ10		Φ19 × Φ16		Φ25 × Φ22	
	inch	3/8" (×1/4")		1/2" (×3/8")		3/4" (×5/8")		1" (×7/8")	

③ 接續方式 (Connection method)		mm		inch		mm		inch	
R	Flowell 60series	—	◎ ※1	◎ ※1	◎ ※1	◎ ※1	◎ ※1	◎ ※1	◎ ※1
X	Flare Type	—	◎	—	◎	—	◎	—	◎

④ 管道規格 (Tube Standard)									
A	mm								
B	inch								

⑤ 付加機能 (Additional function)									
0	ON/OFF								
1	流量調整機能 (Flow adjustment)								

⑥ O-Ring ※2									
(No sign)	FKM								
V	DAI-EL G902								
E	EPDM								

⑦ 執行器方向 (Direction of actuator)									
1									
2									
3									
4									

⑧ 固定 (Mounting)									
(No sign)	法蘭固定 (Flange mounting)								
B	底面固定 (Bottom mounting)								

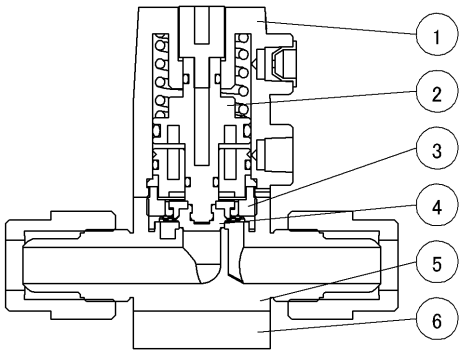
⑨ 流體壓力 (Fluid pressure range) ※3									
5K	0.5MPa規格 (0.5MPa specification)								
(No sign)	0.7MPa規格 (0.7MPa specification) ※4								

**注記 (Note)**

- ※1 : 0.5/0.7MPa的規格屬於受注生產品。
- ※2 : 雖不接觸流體，但有使用腐蝕性高的流體時請選擇使用。
- ※3 : 只在選用MPAV型番時，請選擇使用。
- ※4 : 閥門尺寸是25"，0.7MPa規格的詳細情況請另行諮詢。

## MAV, MPAV (ON/OFF, Flow adjustment)

### 內部構造 (Internal structure) ※1



品番 (No)	零件名 (Parts name)	材質 (Material)
①	外殼 (Case)	PP
②	活塞 (Piston)	PP
③	填料式旋塞閥 (Stuffing)	PP
④	薄膜 (Diaphragm)	PTFE
⑤	本體 (Body)	PFA
⑥	底座 (Base)	PP

### 規格 (Specifications)

使用流體 (Fluid)	化學品・純水・氣體 (Chemical liquid, DIW, Gas) ※2			
流體溫度 (Fluid temperature range)	10~100°C			
大氣溫度 (Atmospheric temperature)	0~40°C			
液體流動部分材質 (Materials of liquid flowed parts)	本體 (Body)	: PFA		
	薄膜 (Diaphragm)	: PTFE		
操作方式 (Operating system)	單動 (Spring return actuation)			
操作壓力 (Pneumatic supply pressure)	0.3MPa規格 (0.3MPa specification)	: 0.3~0.6MPa		
	0.5MPa規格 (0.5MPa specification)	: 0.45~0.6MPa		
	0.7MPa規格 (0.7MPa specification)	: 0.45~0.6MPa		
閥門尺寸 (Valve size)	10 (3/8")	15 (1/2")	20 (3/4")	25 (1")
通氣孔 (Orifice)	Φ8	Φ10	Φ16	Φ22
流體壓力 (Fluid pressure range)				
0.3MPa規格 (0.3MPa specification)	IN→OUT	0~0.3MPa		
	背壓 (Back pressure)	0~0.3MPa	0~0.2MPa	0~0.1MPa
0.5MPa規格 (0.5MPa specification)	IN→OUT	0~0.5MPa		
	背壓 (Back pressure)	0~0.5MPa		
0.7MPa規格 (0.7MPa specification)	IN→OUT	0~0.7MPa	ASK	
	背壓 (Back pressure)	0~0.7MPa	ASK	

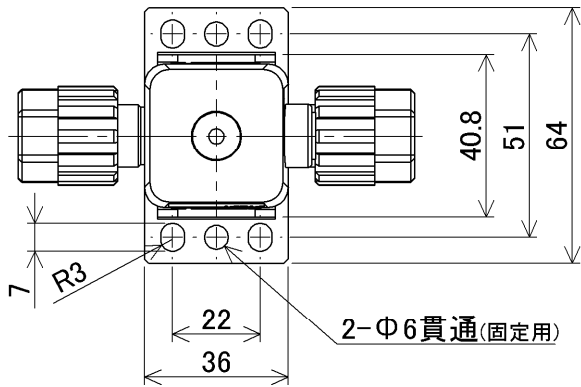
**注記 (Note)**

※1: 0.3MPa規格與0.5/0.7MPa規格有部分形狀差異。  
 ※2: 氣體在最大1cm<sup>3</sup>/min時, 有發生閥底泄露之可能性。

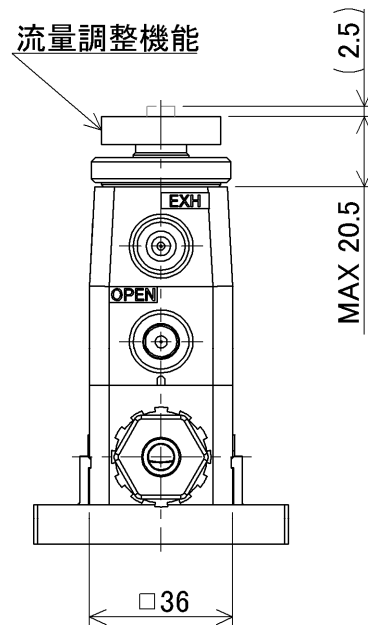
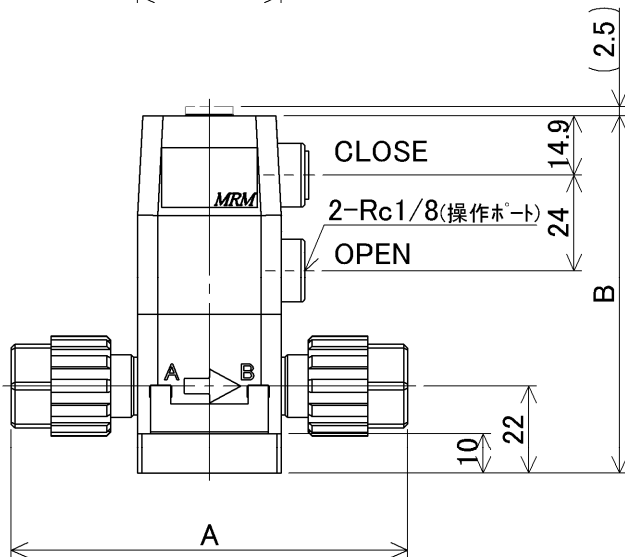
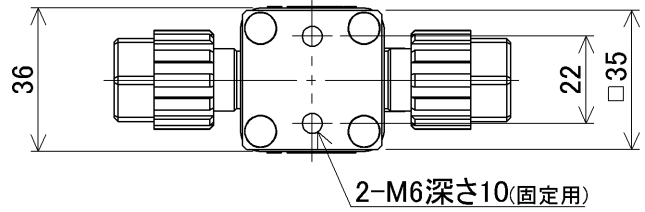
尺寸 (Dimensions)

▶ 3/8" (×1/4")

MAV □ - 10 F - □□ - □ - □ 1 □ - □  
MPAV □ - 10 F - □□ - □ - □ 1 □ - □



底面取付 (Bottom mounting)



0.5/0.7MPa規格

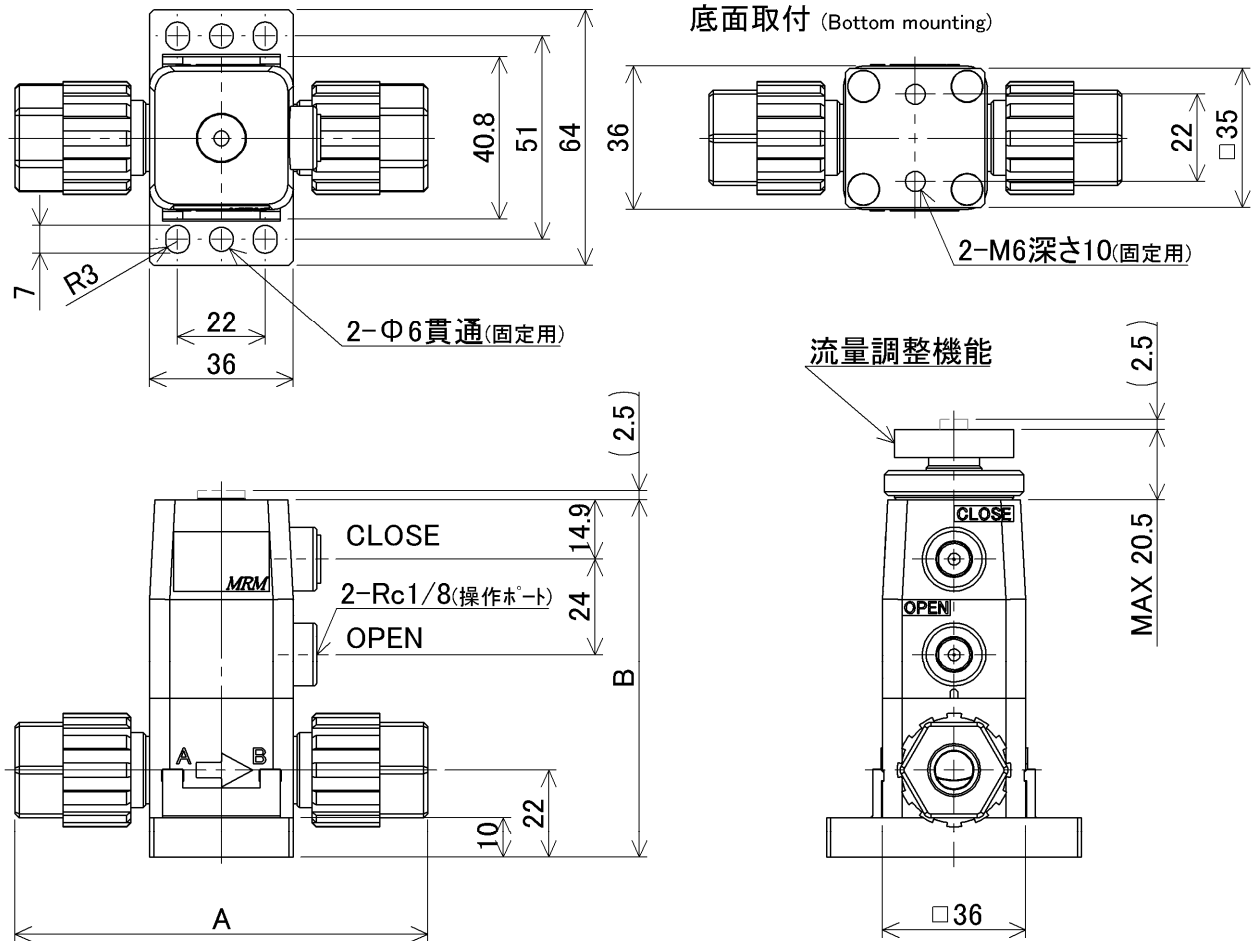
接続方式 (Connection method)	A	B	B
Flowell 60series	114	90	98
Flare Type	99.6	90	98

# MAV, MPAV (ON/OFF, Flow adjustment)

## 尺寸 (Dimensions)

- ▶  $\Phi 12 \times \Phi 10$ , N10
- ▶ 1/2" (×3/8")

MAV □ - 15 F - □□ - □ - □ 1 □ - □  
MPAV □ - 15 F - □□ - □ - □ 1 □ - □



0.5/0.7MPa規格

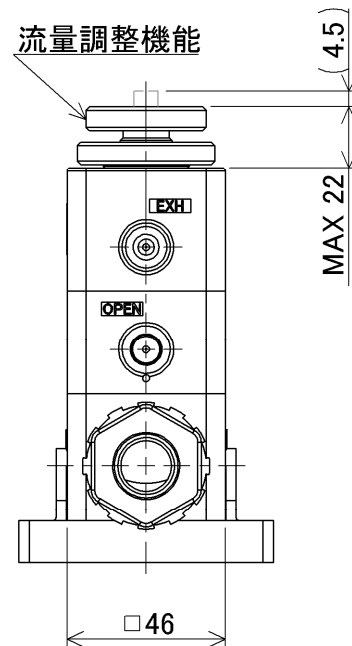
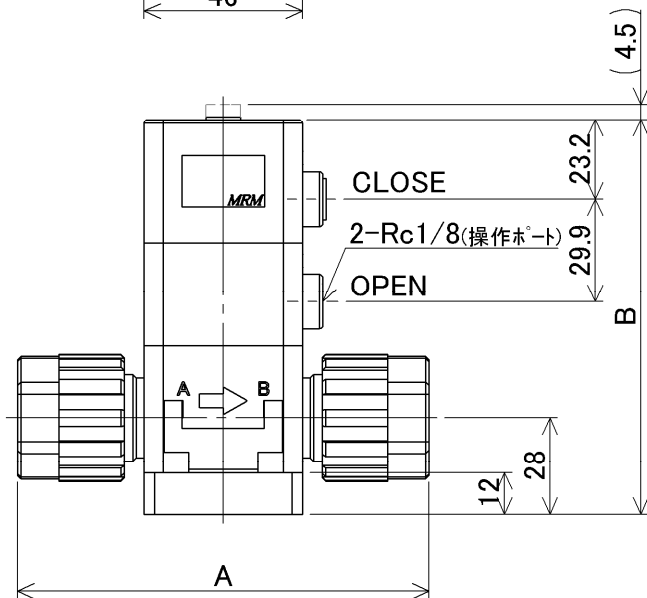
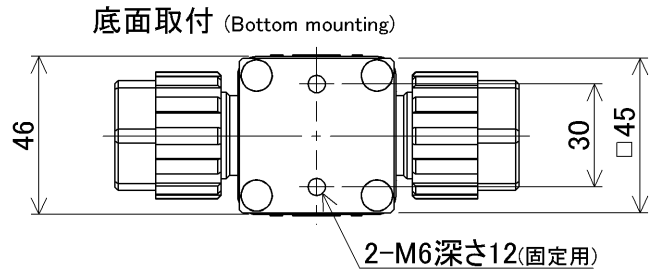
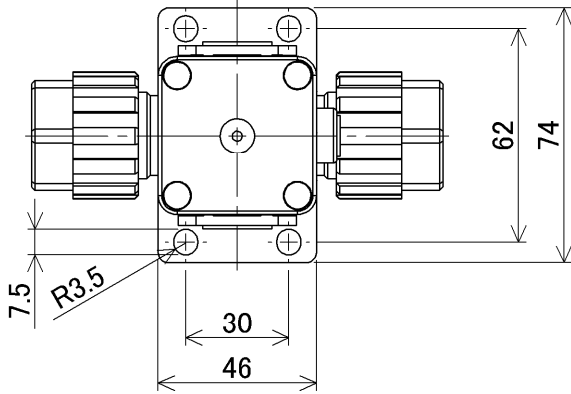
接續方式 (Connection method)	A	B	B
Flowell 60series	114	90	98
Flare Type	103.6	90	98

PFA
Flare Type Flowell 60series
Pillar Super 300 Pillar Super flare
PTFE
Tube Fitting
PTFE (HI-TEMP)
Tube Fitting
Other
Union

尺寸 (Dimensions)

- ▶  $\Phi 19 \times \Phi 16$ , N16
- ▶ 3/4" (×5/8")

MAV □ - 20 F - □□ - □ - □ 1 □ - □  
 MPAV □ - 20 F - □□ - □ - □ 1 □ - □



0.5/0.7MPa規格

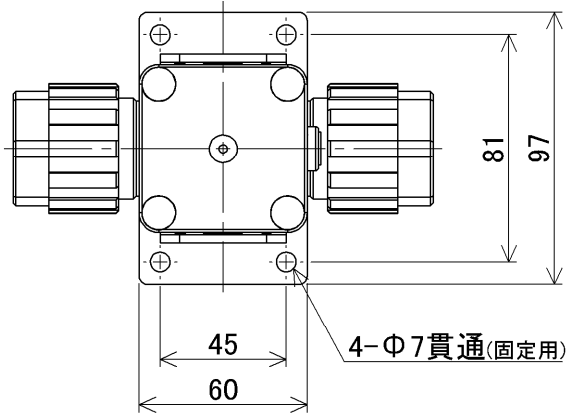
接続方式 (Connection method)	A	B	B
Flowell 60series	134	115	125
Flare Type	119.6	115	125

# MAV, MPAV (ON/OFF, Flow adjustment)

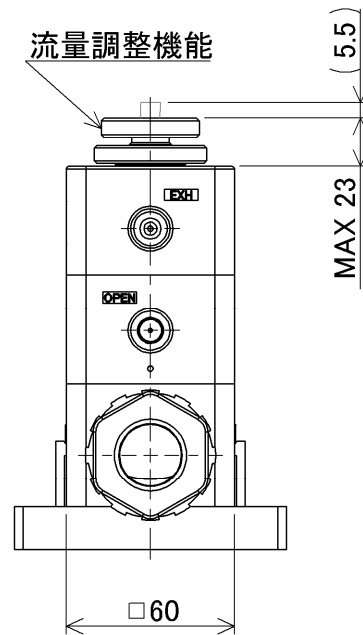
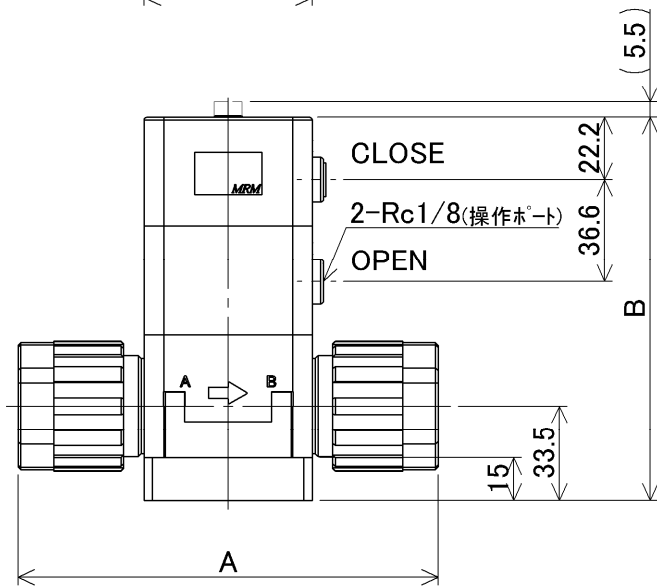
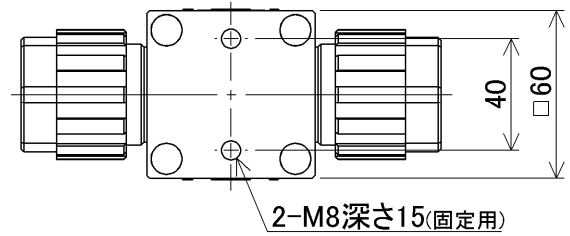
## 尺寸 (Dimensions)

- ▶  $\Phi 25 \times \Phi 22$ , N22
- ▶ 1" ( $\times 7/8$ ")

MAV □ - 25 F - □□ - □ - □ 1 □ - □  
MPAV □ - 25 F - □□ - □ - □ 1 □ - □



底面取付 (Bottom mounting)



0.5/0.7MPa規格

接續方式 (Connection method)	A	B	C
Flowell 60series	162	136.8	144.8
Flare Type	150	136.8	144.8

PFA
Flare Type Flowell 60series
Pillar Super 300 Pillar Super flare
PTFE
Tube Fitting
PTFE (HI-TEMP)
Tube Fitting
Other
Union