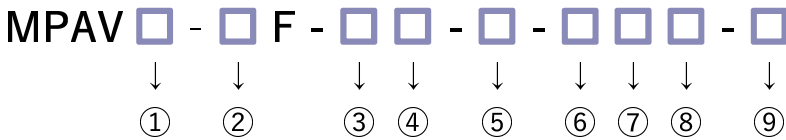


气动阀 (Air-Operated Valves)

- 可对应Pillar Super300/Super flare。
- 接流体部全部都是氟化乙烯树脂(PFA/PTFE)，抗腐蚀。
- 超低粉尘清理(表面粗糙加工、精密洗净、全平构造)。
- MRM独自的安全构造(高压对策及循环加热对策)。



型号表示方法 (How to order)



型号选择例 (Model Number Selection example)

MPAV2-15F-SB-0-E1B-5K

: NC, 1/2" (×3/8"), Pillar Super 300, ON/OFF, EPDM, Bottom mounting, 0.5MPa specification

① 制动方式 (Operation method)	
2	NC (Normal Close)
9	NO (Normal Open)

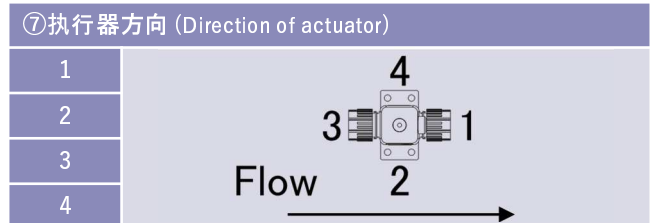
◎ : 标准在库品 (Standard stock)
 ○ : 受注生产产品 (Made to order)
 — : 无在库 (Not stock)

② 阀门尺寸 (Valve size)		10		15		20		25	
	mm	Φ10 × Φ8		Φ12 × Φ10		Φ19 × Φ16		Φ25 × Φ22	
	inch	3/8" (×1/4")		1/2" (×3/8")		3/4" (×5/8")		1" (×7/8")	
③ 连接方式 (Connection method)		mm	inch	mm	inch	mm	inch	mm	inch
S	Pillar Super 300	◎	◎	◎	◎	◎	◎	◎	◎
L	Pillar Super flare	○	○	○	○	○	○	○	○

④ 管道规格 (Tube Standard)	
A	mm
B	inch

⑤ 附加功能 (Additional function)	
0	ON/OFF
1	流量调整功能 (Flow adjustment)

⑥ O-Ring ※1	
(No sign)	FKM
V	DAI-EL G902
E	EPDM



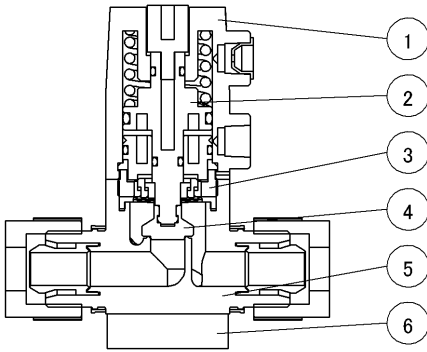
⑧ 固定 (Mounting)	
(No sign)	法兰固定 (Flange mounting)
B	底座固定 (Bottom mounting)

⑨ 流体压力 (Fluid pressure range)	
5K	0.5MPa规格 (0.5MPa specification)
(No sign)	0.7MPa规格 (0.7MPa specification) ※2

注释 (Note)

※1 : 虽不接触流体, 但有腐蚀性高的流体时请选择。
 ※2 : 阀门尺寸“25”的0.7MPa规格的详细请另行咨询。

内部构造 (Internal structure)



品号 (No)	零件名 (Parts name)	材质 (Material)
①	外壳 (Case)	PP
②	活塞 (Piston)	PP
③	填料式旋塞阀 (Stuffing)	PP
④	薄膜 (Diaphragm)	PTFE
⑤	本体 (Body)	PFA
⑥	底座 (Base)	PP

规格 (Specifications)

使用流体 (Fluid)	化学品·纯水·气体 (Chemical liquid, DIW, Gas) ※1			
流体温度 (Fluid temperature range)	10~100°C			
大气温度 (Atmospheric temperature)	0~40°C			
液体流动部分的材质 (Materials of liquid flowed parts)	本体 (Body)	: PFA		
	薄膜 (Diaphragm)	: PTFE		
操作方式 (Operating system)	单动 (Spring return actuation)			
气压压力 (Pneumatic supply pressure)	0.5MPa规格 (0.5MPa specification)	: 0.45~0.6MPa		
	0.7MPa规格 (0.7MPa specification)			
阀门尺寸 (Valve size)	10 (3/8")	15 (1/2")	20 (3/4")	25 (1")
流通孔 (Orifice)	Φ8	Φ10	Φ16	Φ22
流体压力 (Fluid pressure range)				
0.5MPa规格 (0.5MPa specification)	IN→OUT	0~0.5MPa		
	背压 (Back pressure)	0~0.5MPa		
0.7MPa规格 (0.7MPa specification)	IN→OUT	0~0.7MPa	ASK	
	背压 (Back pressure)	0~0.7MPa	ASK	

PFA	Flare Type Flowell 60series	Pillar Super 300 Pillar Super flare
PTFE	Tube Fitting	
PTFE (HI-TEMP)	Tube Fitting	
Other		
Union		

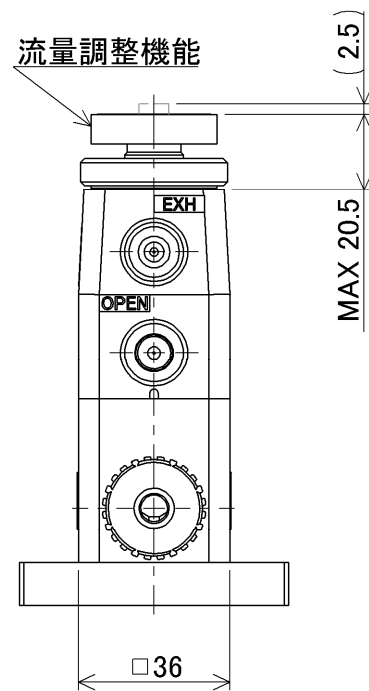
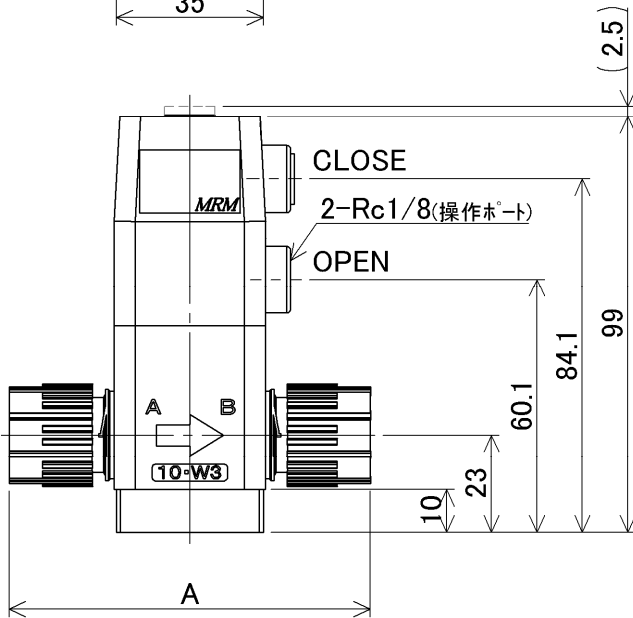
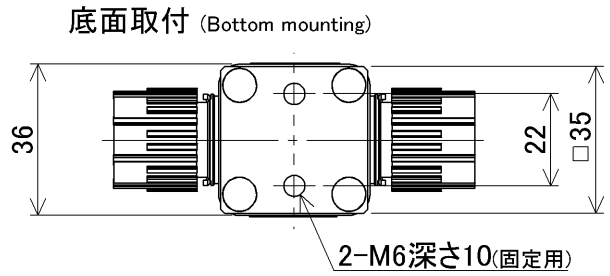
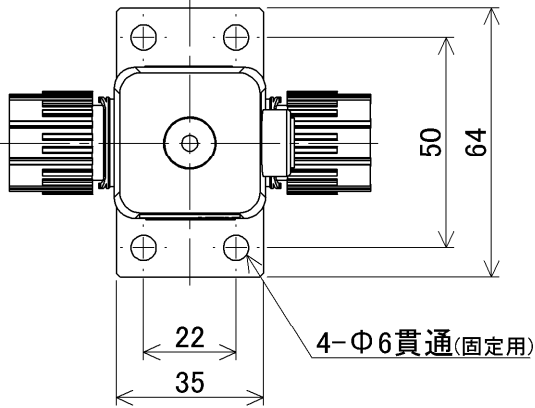
注释 (Note)

※1: 气体在最大1cm³/min的时候, 有可能会发生阀底座泄露。

尺寸 (Dimensions)

- ▶ $\Phi 10 \times \Phi 8$
- ▶ $3/8" (\times 1/4")$

MPAV □ - 10 F - □ □ - □ - □ 1 □ - □



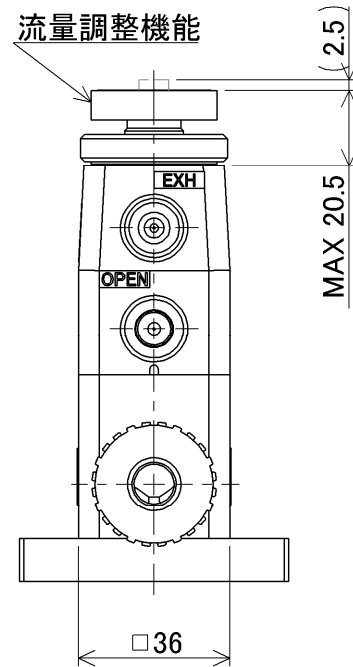
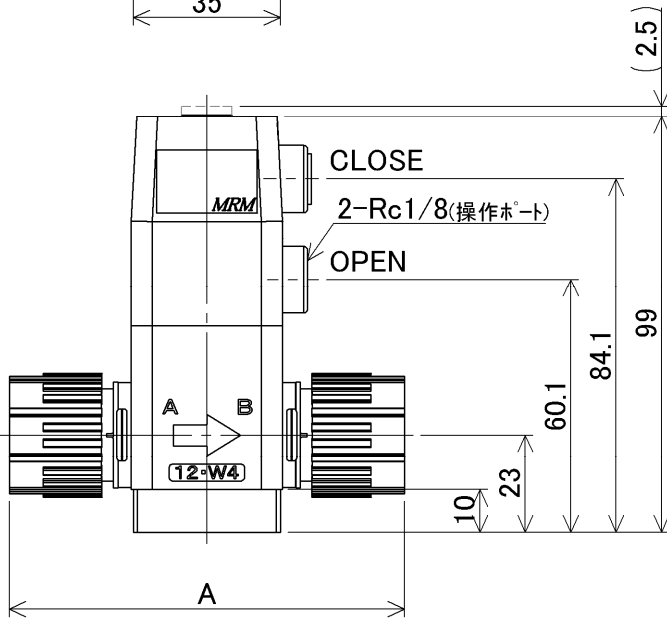
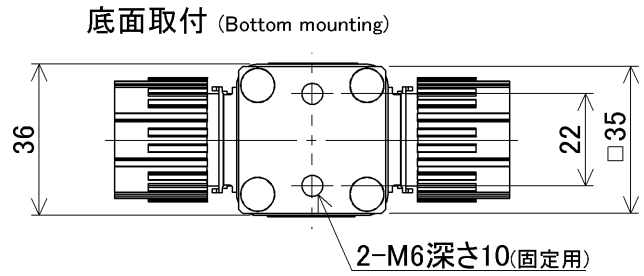
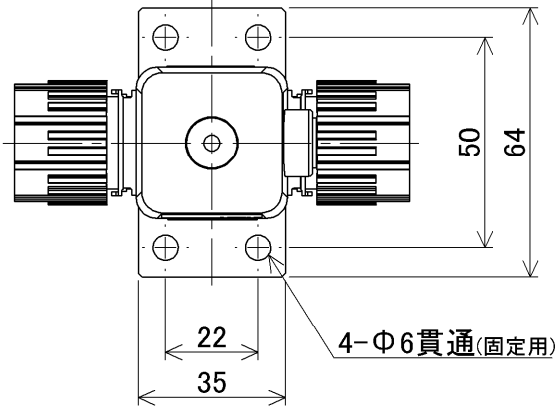
连接方式 (Connection method)	A
Pillar Super 300	86
Pillar Super flare	85.6

MPAV (ON/OFF, Flow adjustment)

尺寸 (Dimensions)

- ▶ $\Phi 12 \times \Phi 10$
- ▶ 1/2" (×3/8")

MPAV □ - 15 F - □ □ - □ - □ 1 □ - □

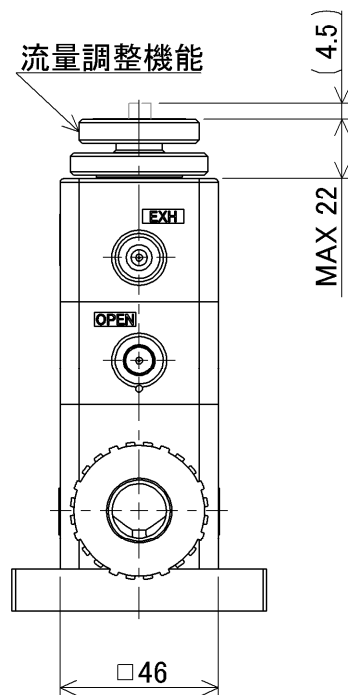
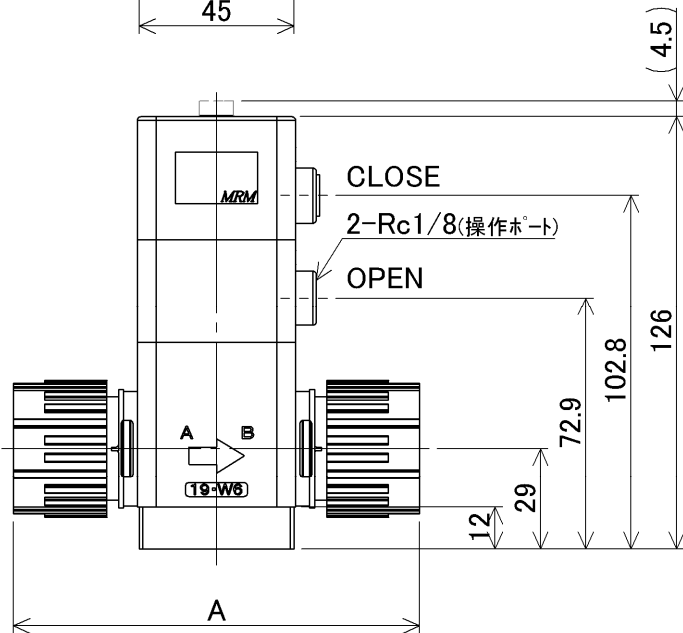
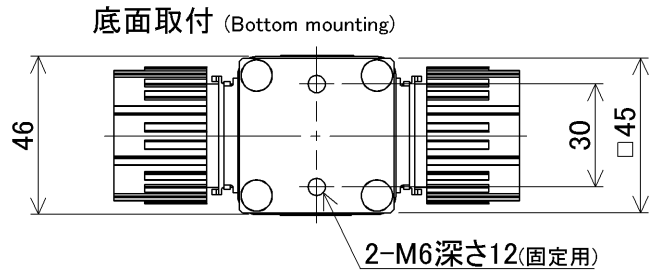
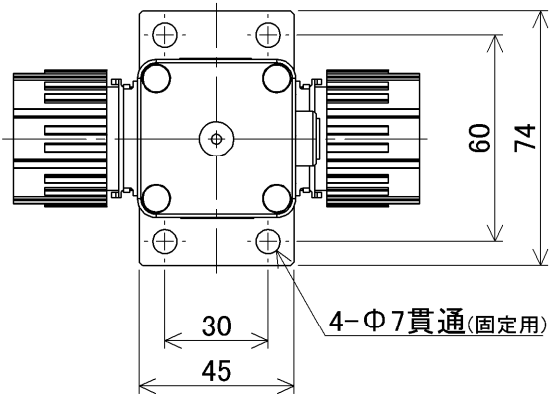


连接方式 (Connection method)	A
Pillar Super 300	94
Pillar Super flare	93.6

尺寸 (Dimensions)

- ▶ $\Phi 19 \times \Phi 16$
- ▶ $3/4" (\times 5/8")$

MPAV □ - 20 F - □ □ - □ - □ 1 □ - □

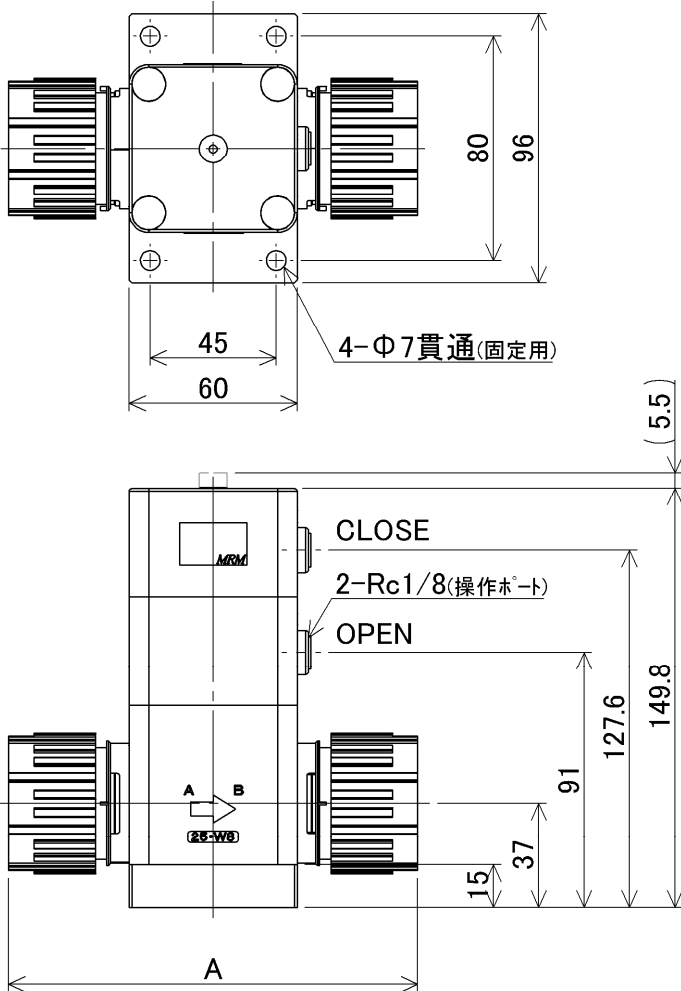


连接方式 (Connection method)	A
Pillar Super 300	118
Pillar Super flare	117.6

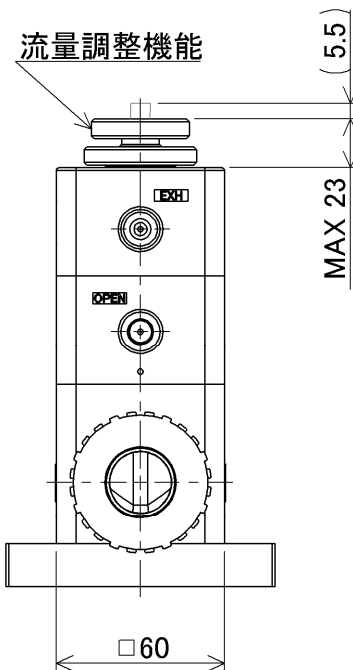
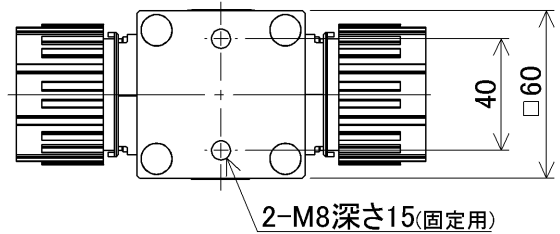
尺寸 (Dimensions)

- ▶ $\Phi 25 \times \Phi 22$
- ▶ 1" ($\times 7/8$ ")

MPAV □ - 25 F - □ □ - □ - □ 1 □ - □



底面取付 (Bottom mounting)



连接方式 (Connection method)	A
Pillar Super 300	146
Pillar Super flare	143

PFA
Flare Type Flowell 60series
Pillar Super 300 Pillar Super flare
PTFE
Tube Fitting
PTFE (HI-TEMP)
Tube Fitting
Other
Union