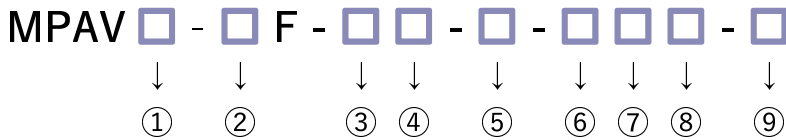


## 氣動閥 (Air-Operated Valves)

- 可對應Pillar Super300/Super flare。
- 接流體部分使用的是氟化乙烯樹脂(PFA/PTFE),抗腐蝕。
- 低粉塵清理(高面粗度加工、精密洗淨、全平構造)。
- MRM獨自的安全構造(高壓對策及循環加熱對策)。



### 型番表示方法 (How to order)



型番選擇例子 (Model Number Selection example)

MPAV2-15F-SB-0-E1B-5K

: NC, 1/2" (×3/8"), Pillar Super 300, ON/OFF, EPDM, Bottom mounting, 0.5MPa specification

① 動作方式 (Operation method)	
2	NC (Normal Close)
9	NO (Normal Open)

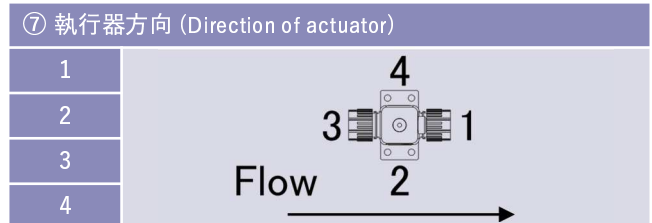
◎ : 標準在庫品 (Standard stock)  
 ○ : 受注生産品 (Made to order)  
 - : 無在庫 (Not stock)

② 閥門尺寸 (Valve size)		10		15		20		25	
	mm	Φ10 × Φ8		Φ12 × Φ10		Φ19 × Φ16		Φ25 × Φ22	
	inch	3/8" (×1/4")		1/2" (×3/8")		3/4" (×5/8")		1" (×7/8")	
③ 接續方式 (Connection method)		mm	inch	mm	inch	mm	inch	mm	inch
S	Pillar Super 300	◎	◎	◎	◎	◎	◎	◎	◎
L	Pillar Super flare	○	○	○	○	○	○	○	○

④ 管道規格 (Tube Standard)	
A	mm
B	inch

⑤ 付加機能 (Additional function)	
0	ON/OFF
1	流量調整機能 (Flow adjustment)

⑥ O-Ring ※1	
(No sign)	FKM
V	DAI-EL G902
E	EPDM



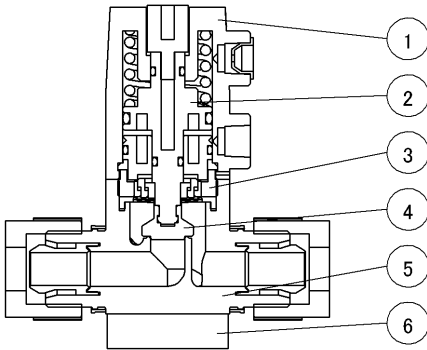
⑧ 固定 (Mounting)	
(No sign)	法蘭固定 (Flange mounting)
B	底面固定 (Bottom mounting)

⑨ 流體壓力 (Fluid pressure range)	
5K	0.5MPa規格 (0.5MPa specification)
(No sign)	0.7MPa規格 (0.7MPa specification) ※2

**注記 (Note)**

※1 : 雖不接觸流體, 但有腐蝕性高的流體時請選擇使用。  
 ※2 : 閥門尺寸為"25", 0.7Mpa規格的詳細情況請另行諮詢。

## 內部構造 (Internal structure)



品番 (No)	零件名 (Parts name)	材質 (Material)
①	外殼 (Case)	PP
②	活塞 (Piston)	PP
③	填料式旋塞閥 (Stuffing)	PP
④	薄膜 (Diaphragm)	PTFE
⑤	本體 (Body)	PFA
⑥	底座 (Base)	PP

## 規格 (Specifications)

使用流體 (Fluid)	化學品・純水・氣體 (Chemical liquid, DIW, Gas) ※1			
流體溫度 (Fluid temperature range)	10~100°C			
大氣溫度 (Atmospheric temperature)	0~40°C			
液體流動部分的材質 (Materials of liquid flowed parts)	本體 (Body)	: PFA		
	薄膜 (Diaphragm)	: PTFE		
操作方式 (Operating system)	單動 (Spring return actuation)			
操作壓力 (Pneumatic supply pressure)	0.5MPa規格 (0.5MPa specification)	: 0.45~0.6MPa		
	0.7MPa規格 (0.7MPa specification)			
閥門尺寸 (Valve size)	10 (3/8")	15 (1/2")	20 (3/4")	25 (1")
通氣孔 (Orifice)	Φ8	Φ10	Φ16	Φ22
流體壓力 (Fluid pressure range)				
0.5MPa規格 (0.5MPa specification)	IN→OUT	0~0.5MPa		
	背壓 (Back pressure)	0~0.5MPa		
0.7MPa規格 (0.7MPa specification)	IN→OUT	0~0.7MPa	ASK	
	背壓 (Back pressure)	0~0.7MPa	ASK	

PFA
Flare Type Flowell 60series
Pillar Super 300 Pillar Super flare
PTFE
Tube Fitting
PTFE (HI-TEMP)
Tube Fitting
Other
Union

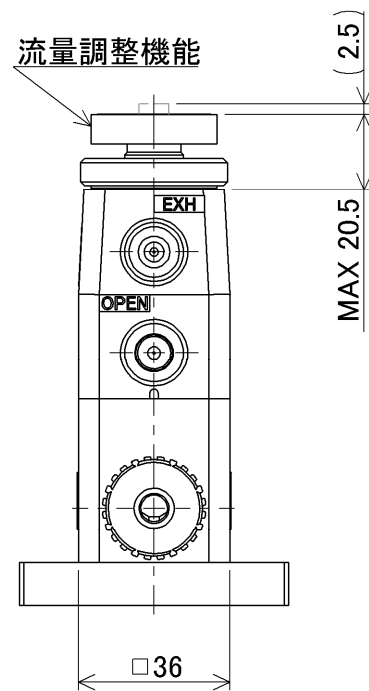
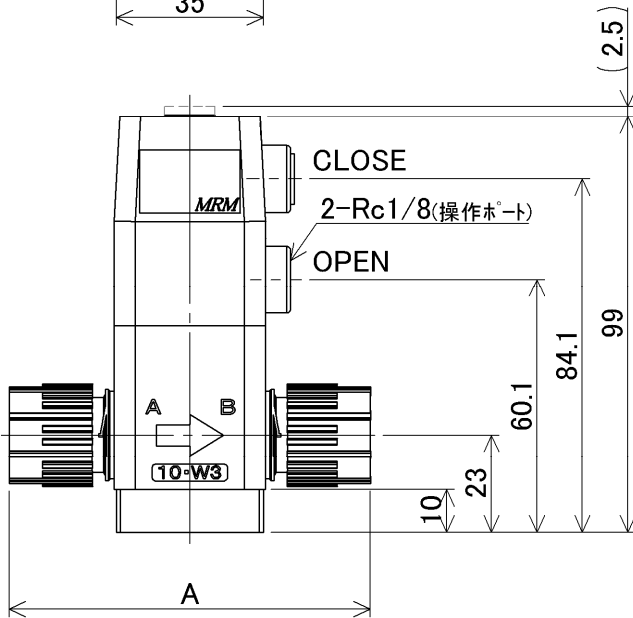
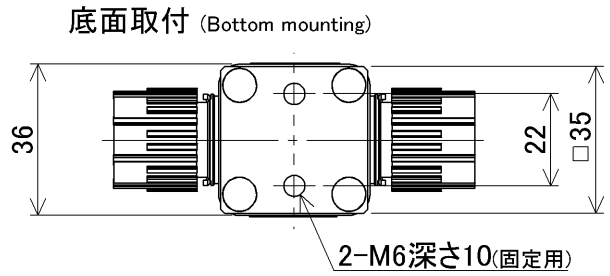
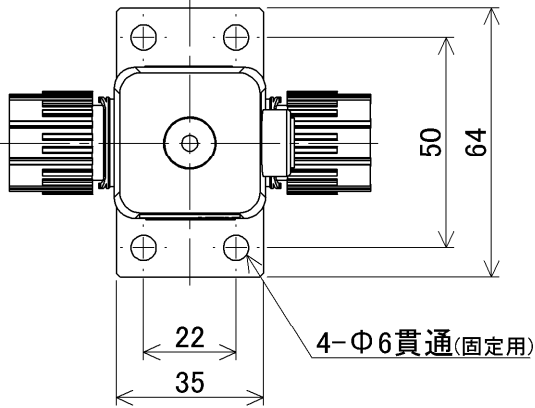
注記 (Note)

※1: 氣體在最大1cm<sup>3</sup>/min時, 有發生閥底泄露之可能性。

尺寸 (Dimensions)

- ▶  $\Phi 10 \times \Phi 8$
- ▶  $3/8" (\times 1/4")$

MPAV □ - 10 F - □ □ - □ - □ 1 □ - □



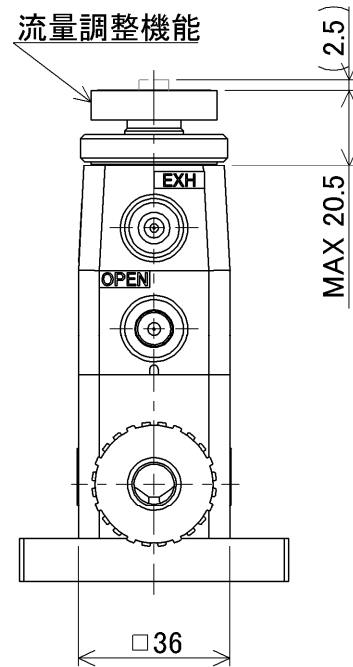
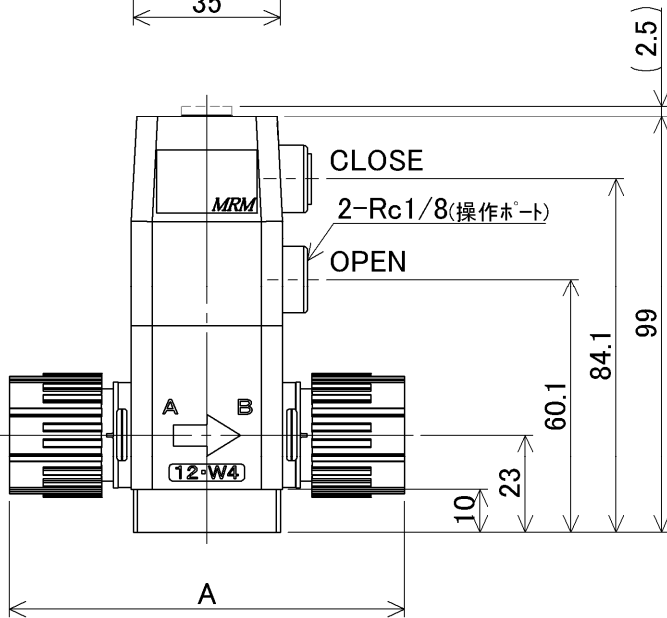
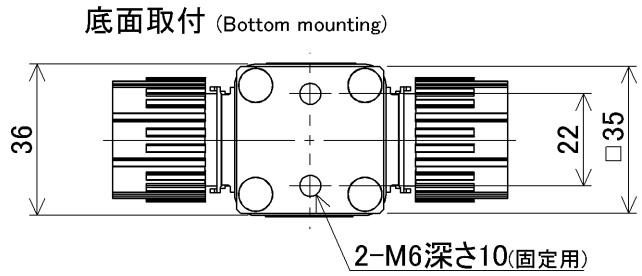
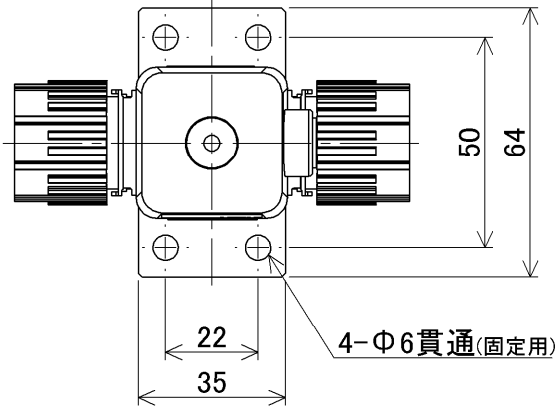
接続方式 (Connection method)	A
Pillar Super 300	86
Pillar Super flare	85.6

**MPAV (ON/OFF, Flow adjustment)**

尺寸 (Dimensions)

- ▶  $\Phi 12 \times \Phi 10$
- ▶ 1/2" ( $\times 3/8$ " )

MPAV □ - 15 F - □ □ - □ - □ 1 □ - □



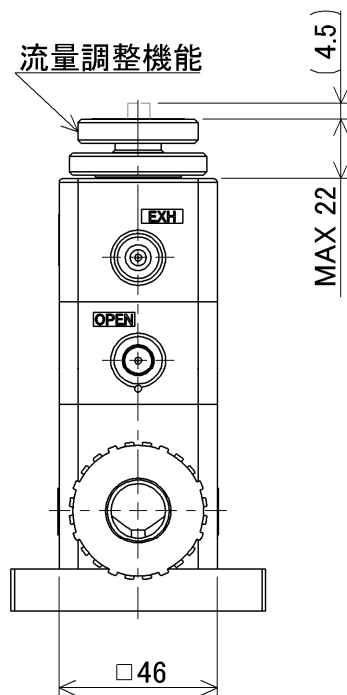
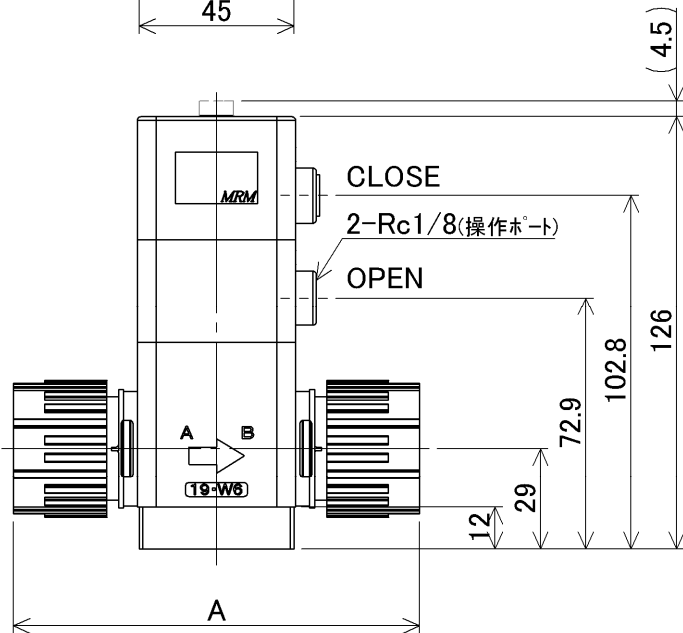
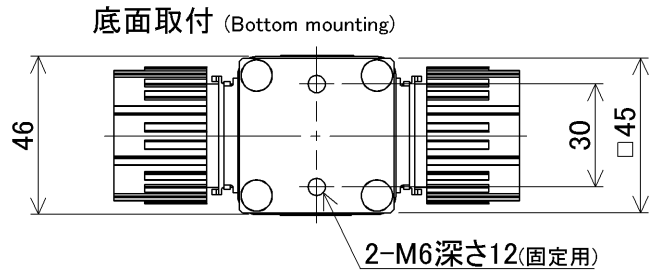
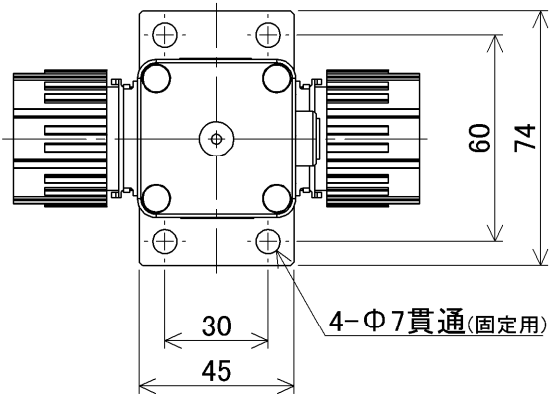
接續方式 (Connection method)	A
Pillar Super 300	94
Pillar Super flare	93.6

PFA	Flare Type Flowell 60series	Pillar Super 300 Pillar Super flare	PTFE	Tube Fitting	PTFE (HI-TEMP)	Tube Fitting	Other	Union
-----	--------------------------------	--	------	--------------	-------------------	--------------	-------	-------

尺寸 (Dimensions)

- ▶  $\Phi 19 \times \Phi 16$
- ▶  $3/4" (\times 5/8")$

MPAV □ - 20 F - □ □ - □ - □ 1 □ - □

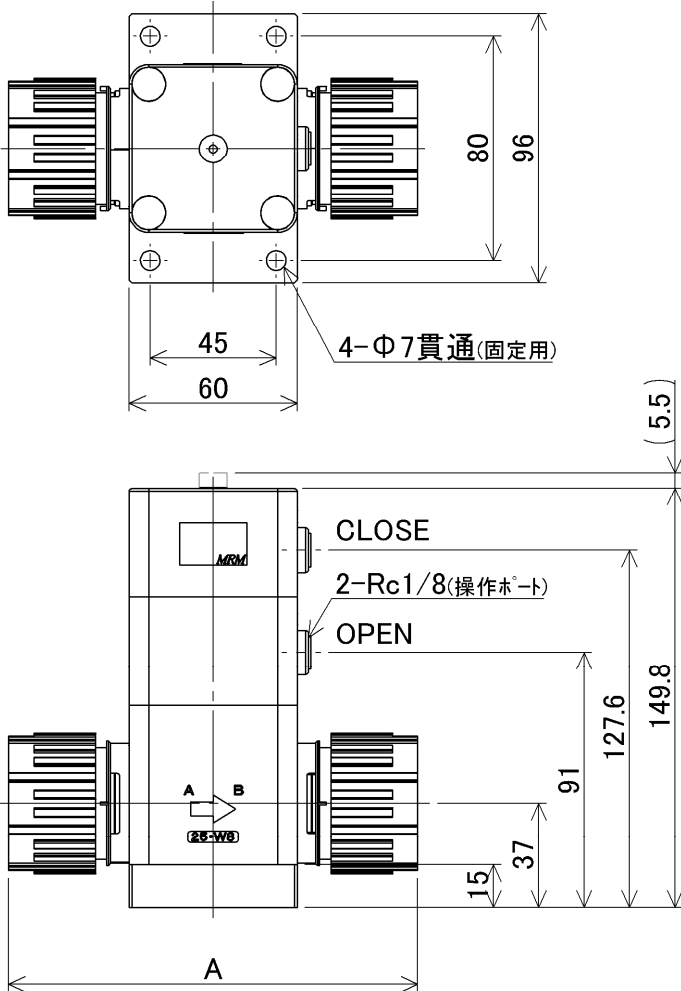


接続方式 (Connection method)	A
Pillar Super 300	118
Pillar Super flare	117.6

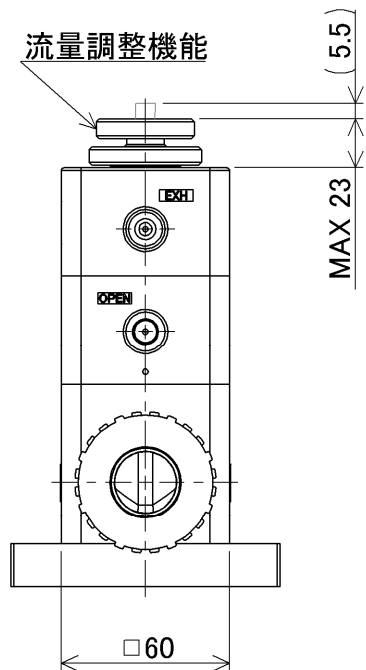
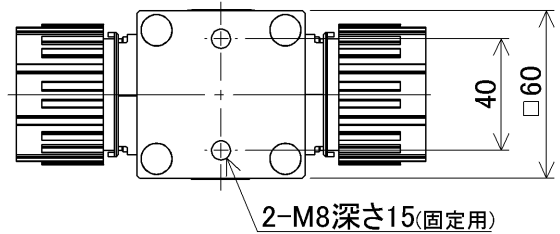
尺寸 (Dimensions)

- ▶  $\Phi 25 \times \Phi 22$
- ▶ 1" ( $\times 7/8$ " )

MPAV □ - 25 F - □ □ - □ - □ 1 □ - □



底面取付 (Bottom mounting)



接續方式 (Connection method)	A
Pillar Super 300	146
Pillar Super flare	143

PFA
Flare Type Flowell 60series
Pillar Super 300 Pillar Super flare
PTFE
Tube Fitting
PTFE (HI-TEMP)
Tube Fitting
Other
Union