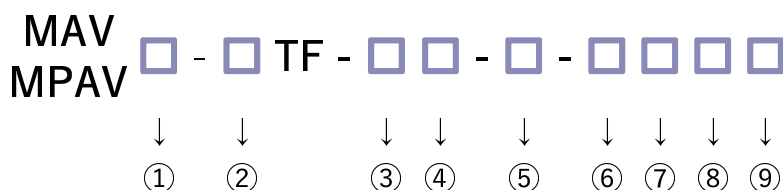


气动阀 (Air-Operated Valves)

- 可对应各种连接方式。
- 在配管时可节约大量空间。
- 接流体部全部都是氟化乙烯树脂(PFA/PTFE)，抗腐蚀。
- 超低粉尘清理(表面粗糙度加工、精密洗净、积水少等设计)。



型号表示方法 (How to order)



MAV : 0.5MPa规格 (0.5MPa specification)
MPAV : 0.7MPa规格 (0.7MPa specification)

型号选择例 (Model Number Selection example)

MAV2-8TF6-SA-0-E1MB

: 0.5MPa specification, NC, $\Phi 8 \times \Phi 6$ (mm), Pillar Super 300, ON/OFF, EPDM, M5, Bottom mounting

① 制动方式 (Operation method)

2	NC (Normal Close)
9	NO (Normal Open)

◎ : 标准在库品 (Standard stock)
○ : 受注生产产品 (Made to order)
— : 无在库 (Not stock)

② 阀门尺寸 (Valve size)

	6	4TF3 ※1	8	8TF6 ※1
mm	$\Phi 3 \times \Phi 2$	$\Phi 4 \times \Phi 3$	$\Phi 6 \times \Phi 4$, N4	$\Phi 8 \times \Phi 6$, N6
inch	1/8" (×0.086")		1/4" (×5/32")	

③ 连接方式 (Connection method)

		mm	inch	mm	inch	mm	inch	mm	inch
F	Flowell 20series	○	○	○	—	◎	◎ ※2	○	—
R	Flowell 60series	○	○	○	—	◎	◎	○	—
H	Flowell 80series	—	—	—	—	○	○	—	—
P	Pillar Super fitting	○	○	○	—	○	○	—	—
S	Pillar Super 300	◎	◎	○	—	◎	◎	○	—
L	Pillar Super flare	—	—	—	—	○	○	○	—
K	Kurabo Final lock	—	—	—	—	○	○	—	—
C	Kurabo K-Fitter	—	—	—	—	○	○	—	—
B	Bueno Fit-One	—	—	—	—	○	○	○	—
X	Flare Type	—	—	—	—	—	◎	—	—
NL	Yodogawa Nano Link system	—	—	—	—	○ ※3	—	○ ※3	—
T	Tube Type	—	—	—	—	○	○	○	—

④ 管道规格 (Tube Standard)

A	mm
B	inch

⑤ 附加功能 (Additional function)

0	ON/OFF
1	流量调整功能 (Flow adjustment)

⑥ O-Ring ※4

(No sign)	FKM
V	DAI-EL G902
E	EPDM

注释 (Note)

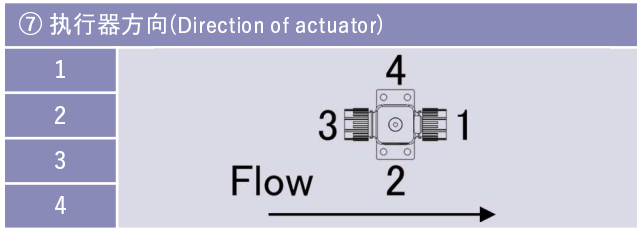
※1 : 请在“TF”的前后记录下“4”和“3”或“8”和“6”。

※2 : 配管尺寸为1/4" (× $\Phi 4.3$)。

※3 : 管道规格并不记载, 只以NL的形式进行记载。(例) N4 : 8TF-NL

※4 : 虽不接触流体, 但有腐蚀性高的流体时请选择。

MAV, MPAV (ON/OFF, Flow adjustment)



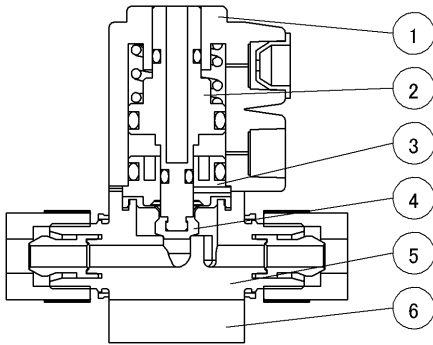
⑧ 操作 (Operation port)

(No sign)	Rc1/8
M	M5

⑨ 固定 (Mounting)

(No sign)	法兰固定 (Flange mounting)
B	底座固定 (Bottom mounting)

内部构造 (Internal structure)



品号 (No)	零件名 (Parts name)	材质 (Material)
①	外壳 (Case)	PP
②	活塞 (Piston)	PP
③	填料式旋塞阀 (Stuffing)	PP
④	薄膜 (Diaphragm)	PTFE
⑤	本体 (Body)	PTFE
⑥	底座 (Base)	PP

规格 (Specifications)

使用流体 (Fluid)	化学品·纯水·气体 (Chemical liquid, DIW, Gas) ※1			
流体温度 (Fluid temperature range)	10~100°C			
大气温度 (Atmospheric temperature)	0~40°C			
液体流动部分的材质 (Materials of liquid flowed parts)	本体 (Body)	: PTFE		
	薄膜 (Diaphragm)	: PTFE		
操作方式 (Operating system)	单动式 (Spring return actuation)			
气压压力 (Pneumatic supply pressure)	0.5MPa规格 (0.5MPa specification)	: 0.35~0.6MPa		
	0.7MPa规格 (0.7MPa specification)	: 0.4~0.6MPa		
阀门尺寸 (Valve size)	6 (1/8")	4TF3	8 (1/4")	8TF6
流通孔 (Orifice)	Φ5	Φ5	Φ5	Φ6
流体压力 (Fluid pressure range)				
0.5MPa规格 (0.5MPa specification)	IN→OUT	0~0.5MPa		
	背压 (Back pressure)	0~0.4MPa		
0.7MPa规格 (0.7MPa specification)	IN→OUT	0~0.7MPa		
	背压 (Back pressure)	0~0.7MPa		

PFA
Flare Type Flowell 60series
Pillar Super 300 Pillar Super flare
PTFE
Tube Fitting
PTFE (HI-TEMP)
Tube Fitting
Other
Union

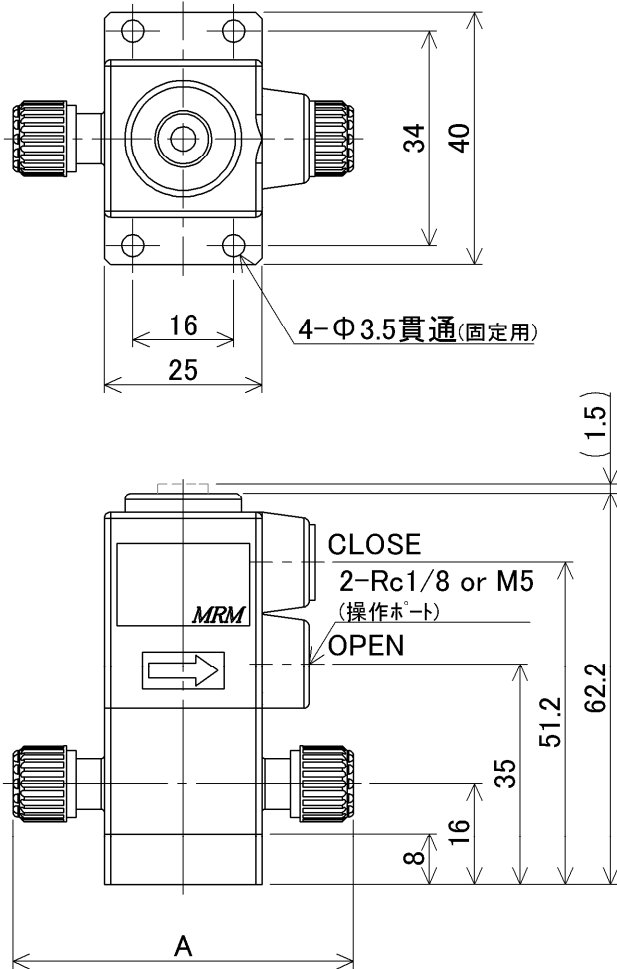
注释 (Note)

※1: 气体在最大1cm³/min的时候, 有可能会发生阀底座泄露。

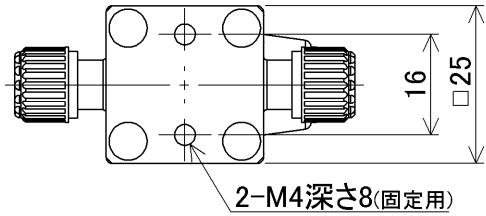
尺寸 (Dimensions)

- ▶ $\Phi 3 \times \Phi 2$
- ▶ 1/8" ($\times 0.086$ ")

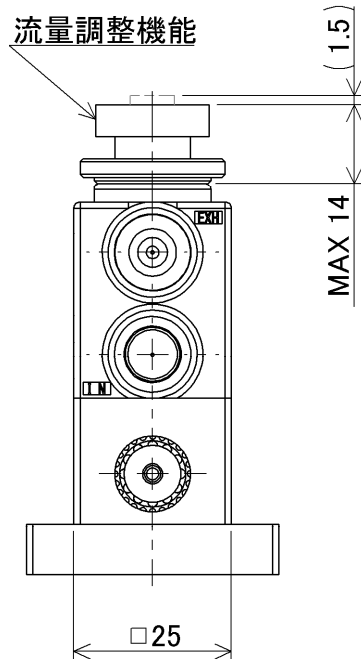
MAV □ - 6 TF - □□ - □ - □ 1 □ □
 MPAV □ - 6 TF - □□ - □ - □ 1 □ □



底面取付 (Bottom mounting)



流量調整機能



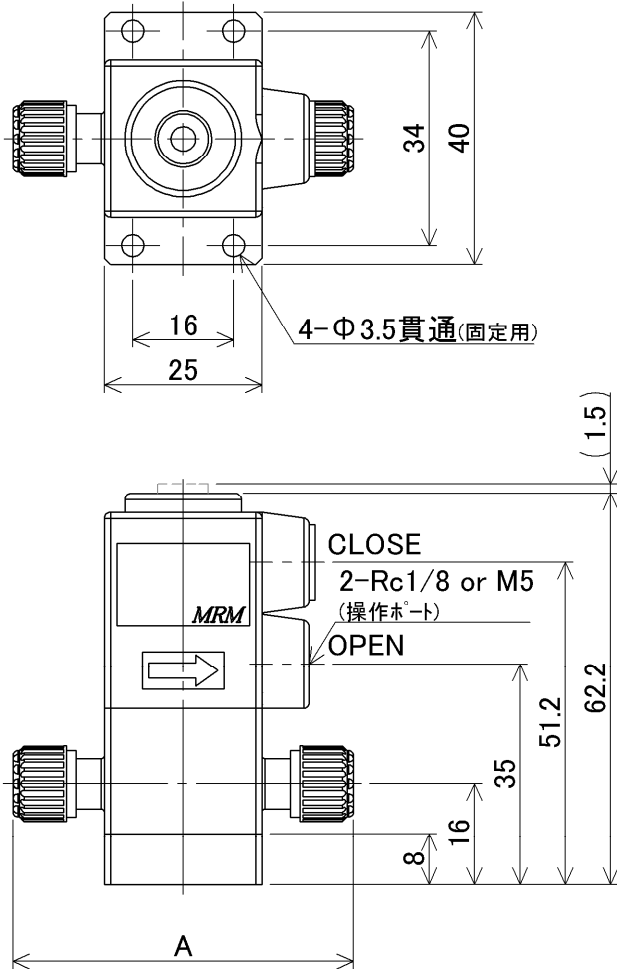
连接方式 (Connection method)	A
Flowell 20series	43
Flowell 60series	60
Pillar Super fitting	54
Pillar Super 300	54

MAV, MPAV (ON/OFF, Flow adjustment)

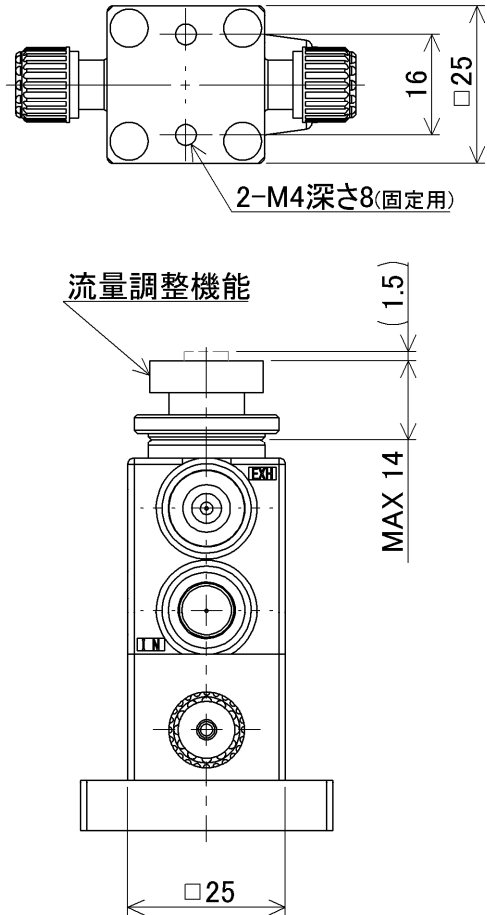
尺寸 (Dimensions)

▶ $\Phi 4 \times \Phi 3$

MAV □ - 4 TF 3 - □ □ - □ - □ 1 □ □
MPAV □ - 4 TF 3 - □ □ - □ - □ 1 □ □



底面取付 (Bottom mounting)



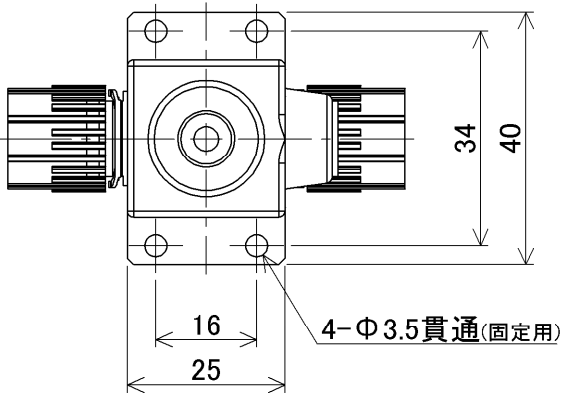
连接方式 (Connection method)	A
Flowell 20series	47
Flowell 60series	66
Pillar Super fitting	54
Pillar Super 300	54

PFA	Flare Type Flowell 60series	Pillar Super 300 Pillar Super flare	PTFE	Tube Fitting	PTFE (HI-TEMP)	Tube Fitting	Other	Union
-----	--------------------------------	--	------	--------------	-------------------	--------------	-------	-------

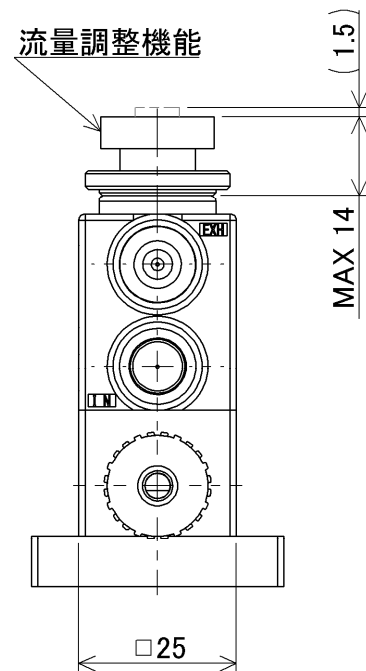
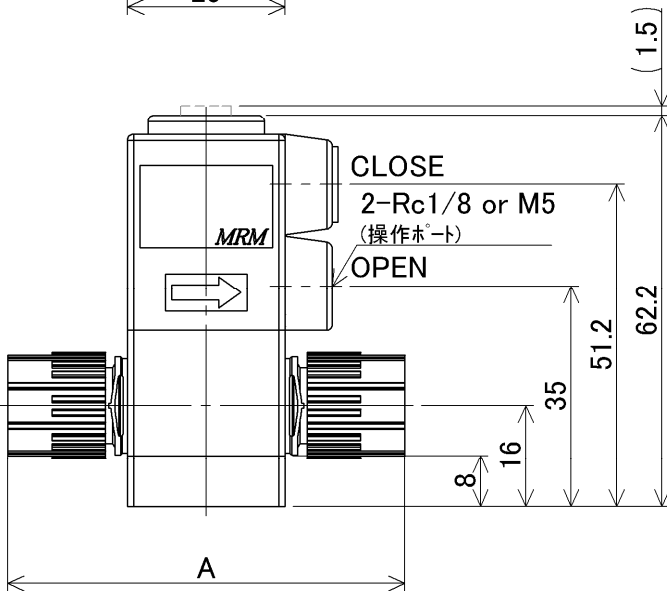
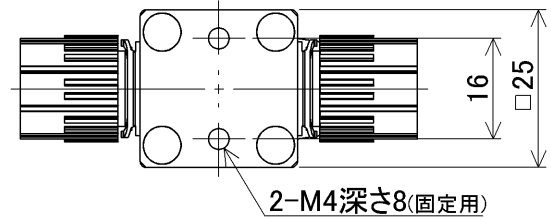
尺寸 (Dimensions)

- ▶ $\Phi 6 \times \Phi 4$, N4
- ▶ 1/4"($\times 5/32$ "), 1/4"($\times \Phi 4.3$)

MAV □ - 8 TF - □□ - □ - □ 1 □ □
 MPAV □ - 8 TF - □□ - □ - □ 1 □ □



底面取付 (Bottom mounting)



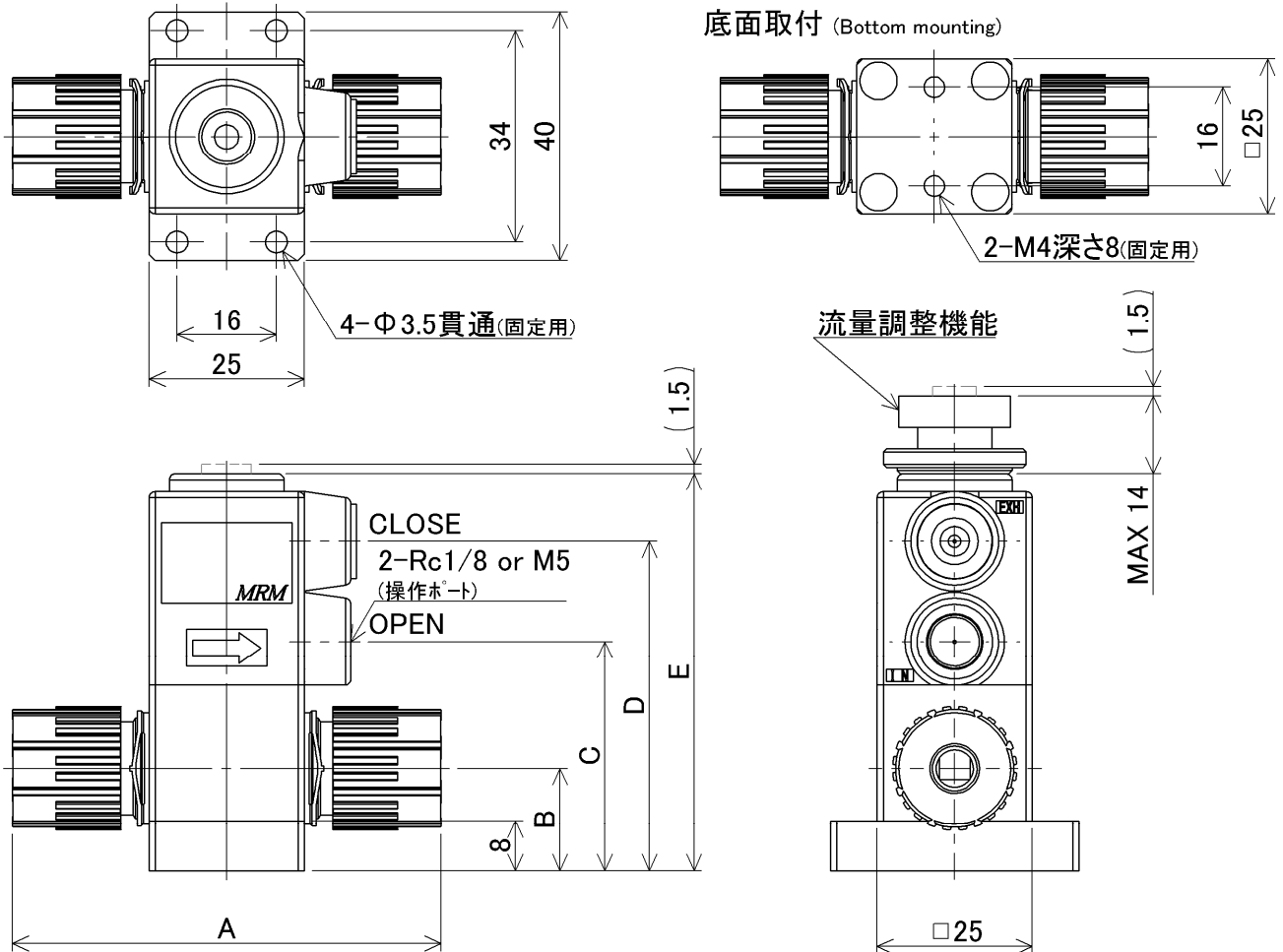
连接方式 (Connection method)	A
Flowell 20series	59
Flowell 60series	87
Flowell 80series	65
Pillar Super fitting	64
Pillar Super 300	63
Pillar Super flare	62.8
Kurabo Final lock	66
Kurabo K-Fitter	65
Bueno Fit-One	72
Flare Type	83
Nano Link system	47.4
Tube Type	59

MAV, MPAV (ON/OFF, Flow adjustment)

尺寸 (Dimensions)

▶ $\Phi 8 \times \Phi 6$, N6

MAV □ - 8 TF 6 - □□ - □ - □ 1 □ □
MPAV □ - 8 TF 6 - □□ - □ - □ 1 □ □



连接方式 (Connection method)	A	B	C	D	E
Flowell 20series	61	16.5	37	53.2	64.2
Flowell 60series	87	16.5	37	53.2	64.2
Pillar Super 300	69	16.5	37	53.2	64.2
Pillar Super flare	66	16.5	37	53.2	64.2
Bueno Fit-One	80.4	16.5	37	53.2	64.2
Nano Link system	55.2	18.5	39	55.2	66.2
Tube Type	61	16.5	37	53.2	64.2

PFA	Flare Type Flowell 60series	Pillar Super 300 Pillar Super flare	PTFE	PTFE (HI-TEMP)	Other
	Tube Fitting	Tube Fitting	Union		