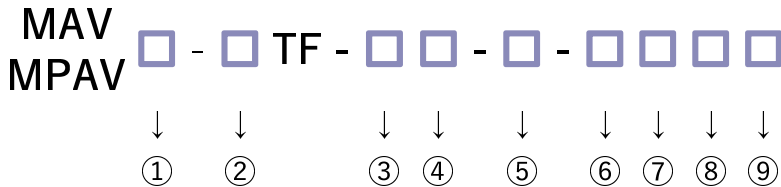


氣動閥 (Air-Operated Valves)

- 可對應各種連接方式。
- 在配管時可節約大量空間。
- 接流體部使用的是氟化乙烯樹脂(PTFE)，抗腐蝕。
- 低粉塵清理(高面粗度加工、精密洗淨、積水少的設計)。



型番表示方法 (How to order)



MAV : 0.5MPa規格 (0.5MPa specification)
MPAV : 0.7MPa規格 (0.7MPa specification)

型番選擇例子 (Model Number Selection example)

MAV2-8TF6-SA-0-E1MB

: 0.5MPa specification, NC, $\Phi 8 \times \Phi 6$ (mm), Pillar Super 300, ON/OFF, EPDM, M5, Bottom mounting

① 動作方式 (Operation method)

| | |
|---|-------------------|
| 2 | NC (Normal Close) |
| 9 | NO (Normal Open) |

◎ : 標準在庫品 (Standard stock)
○ : 受注生産品 (Made to order)
— : 無在庫 (Not stock)

② 閥門尺寸 (Valve size)

| | 6 | 4TF3 ※1 | 8 | 8TF6 ※1 |
|------|------------------------|------------------------|-----------------------------|-----------------------------|
| mm | $\Phi 3 \times \Phi 2$ | $\Phi 4 \times \Phi 3$ | $\Phi 6 \times \Phi 4$, N4 | $\Phi 8 \times \Phi 6$, N6 |
| inch | 1/8" (×0.086") | | 1/4" (×5/32") | |

③ 接續方式 (Connection method)

| | | mm | | inch | | mm | | inch | |
|----|---------------------------|----|---|------|---|------|------|------|---|
| F | Flowell 20series | ○ | ○ | ○ | — | ◎ | ◎ ※2 | ○ | — |
| R | Flowell 60series | ○ | ○ | ○ | — | ◎ | ◎ | ○ | — |
| H | Flowell 80series | — | — | — | — | ○ | ○ | — | — |
| P | Pillar Super fitting | ○ | ○ | ○ | — | ○ | ○ | — | — |
| S | Pillar Super 300 | ◎ | ◎ | ○ | — | ◎ | ◎ | ○ | — |
| L | Pillar Super flare | — | — | — | — | ○ | ○ | ○ | — |
| K | Kurabo Final lock | — | — | — | — | ○ | ○ | — | — |
| C | Kurabo K-Fitter | — | — | — | — | ○ | ○ | — | — |
| B | Bueno Fit-One | — | — | — | — | ○ | ○ | ○ | — |
| X | Flare Type | — | — | — | — | — | ◎ | — | — |
| NL | Yodogawa Nano Link system | — | — | — | — | ○ ※3 | — | ○ ※3 | — |
| T | Tube Type | — | — | — | — | ○ | ○ | ○ | — |

④ 管道規格 (Tube Standard)

| | |
|---|------|
| A | mm |
| B | inch |

⑤ 付加機能 (Additional function)

| | |
|---|--------------------------|
| 0 | ON/OFF |
| 1 | 流量調整機能 (Flow adjustment) |

⑥ O-Ring ※4

| | |
|-----------|-------------|
| (No sign) | FKM |
| V | DAI-EL G902 |
| E | EPDM |

注記 (Note)

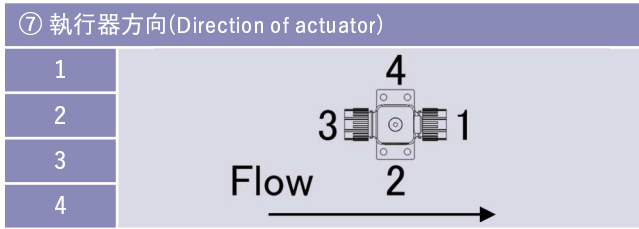
※1 : 請在“TF”前後記入“4”“3”或者“8”和“6”。

※2 : 配管尺寸為1/4" (× $\Phi 4.3$)。

※3 : 管道規格不記載，只以NL的形式記載。(例) N4 : 8TF-NL

※4 : 雖不接觸流體，但有腐蝕性高的流體時請進行選擇。

MAV, MPAV (ON/OFF, Flow adjustment)



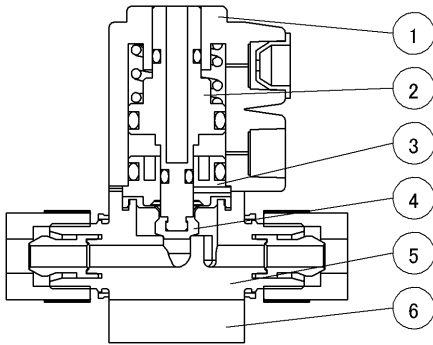
⑧ 操作 (Operation port)

| | |
|-----------|-------|
| (No sign) | Rc1/8 |
| M | M5 |

⑨ 固定 (Mounting)

| | |
|-----------|------------------------|
| (No sign) | 法蘭固定 (Flange mounting) |
| B | 底面固定 (Bottom mounting) |

內部構造 (Internal structure)



| 品番 (No) | 零件名 (Parts name) | 材質 (Material) |
|---------|-------------------|---------------|
| ① | 外殼 (Case) | PP |
| ② | 活塞 (Piston) | PP |
| ③ | 填料式旋塞閥 (Stuffing) | PP |
| ④ | 薄膜 (Diaphragm) | PTFE |
| ⑤ | 本體 (Body) | PTFE |
| ⑥ | 底座 (Base) | PP |

規格 (Specifications)

| | | | | |
|--|--|---------------|----------|------|
| 使用流體 (Fluid) | 化學品・純水・氣體 (Chemical liquid, DIW, Gas) ※1 | | | |
| 流體溫度 (Fluid temperature range) | 10~100°C | | | |
| 大氣溫度 (Atmospheric temperature) | 0~40°C | | | |
| 液體流動部分的材質 (Materials of liquid flowed parts) | 本體 (Body) | : PTFE | | |
| | 薄膜 (Diaphragm) | : PTFE | | |
| 操作方式 (Operating system) | 單動 (Spring return actuation) | | | |
| 操作壓力 (Pneumatic supply pressure) | 0.5MPa規格 (0.5MPa specification) | : 0.35~0.6MPa | | |
| | 0.7MPa規格 (0.7MPa specification) | : 0.4~0.6MPa | | |
| 閥門尺寸 (Valve size) | 6 (1/8") | 4TF3 | 8 (1/4") | 8TF6 |
| 通氣孔 (Orifice) | Φ5 | Φ5 | Φ5 | Φ6 |
| 流體壓力 (Fluid pressure range) | | | | |
| 0.5MPa規格 (0.5MPa specification) | IN→OUT | 0~0.5MPa | | |
| | 背壓 (Back pressure) | 0~0.4MPa | | |
| 0.7MPa規格 (0.7MPa specification) | IN→OUT | 0~0.7MPa | | |
| | 背壓 (Back pressure) | 0~0.7MPa | | |

注記 (Note)

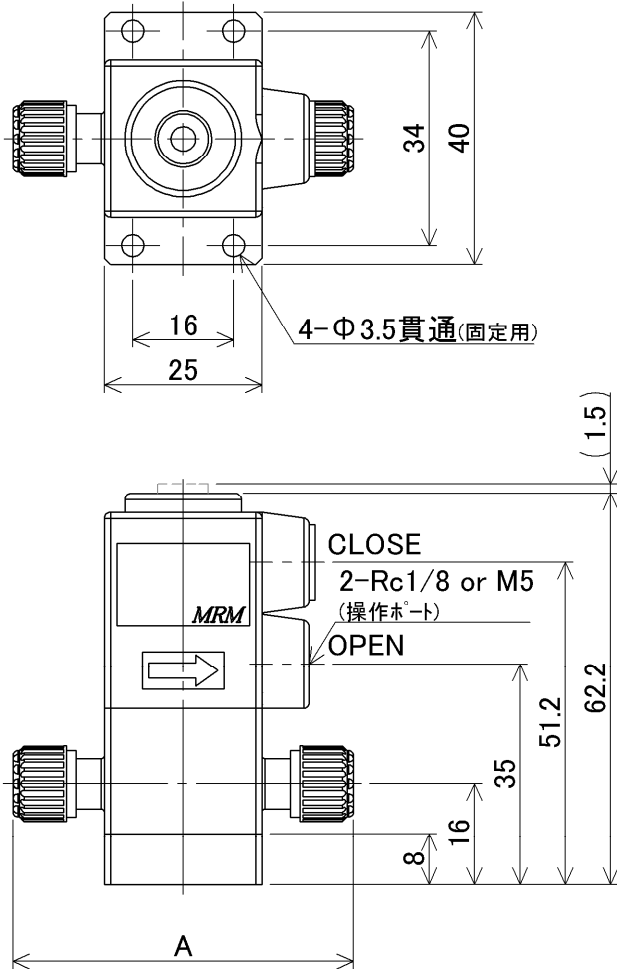
※1: 氣體在最大1cm³/min時, 有發生閥底泄露之可能性。

MAV, MPAV (ON/OFF, Flow adjustment)

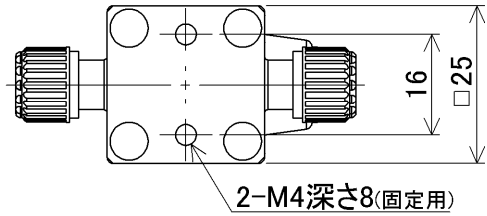
尺寸 (Dimensions)

▶ $\Phi 4 \times \Phi 3$

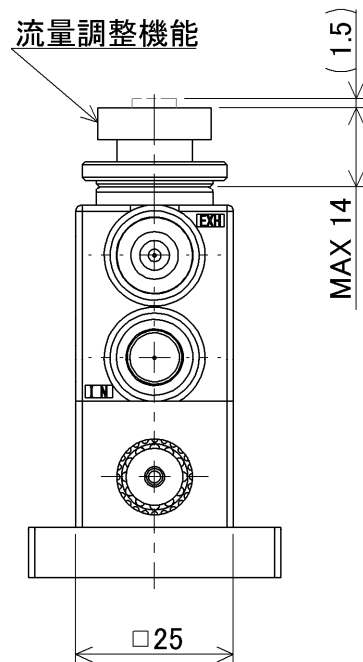
MAV □ - 4 TF 3 - □ □ - □ - □ 1 □ □
MPAV □ - 4 TF 3 - □ □ - □ - □ 1 □ □



底面取付 (Bottom mounting)



流量調整機能



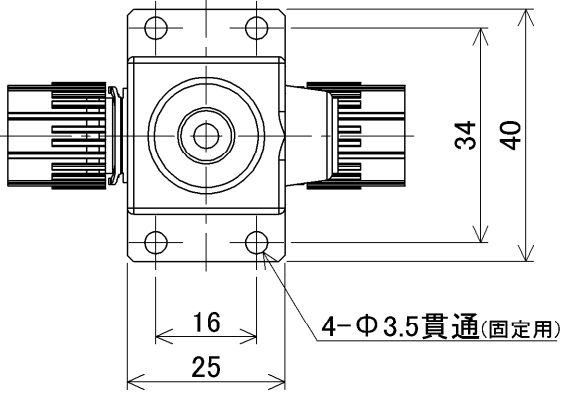
| 接續方式 (Connection method) | A |
|-----------------------------|----|
| Flowell 20series | 47 |
| Flowell 60series | 66 |
| Pillar Super fitting | 54 |
| Pillar Super 300 | 54 |

| |
|--|
| PFA |
| Flare Type Flowell 60series |
| Pillar Super 300 Pillar Super flare |
| PTFE |
| Tube Fitting |
| PTFE (HI-TEMP) |
| Tube Fitting |
| Other |
| Union |

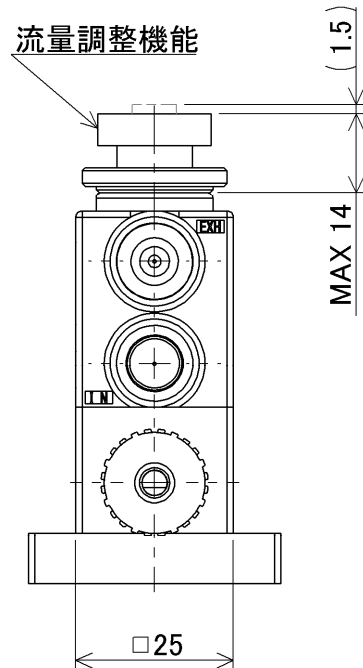
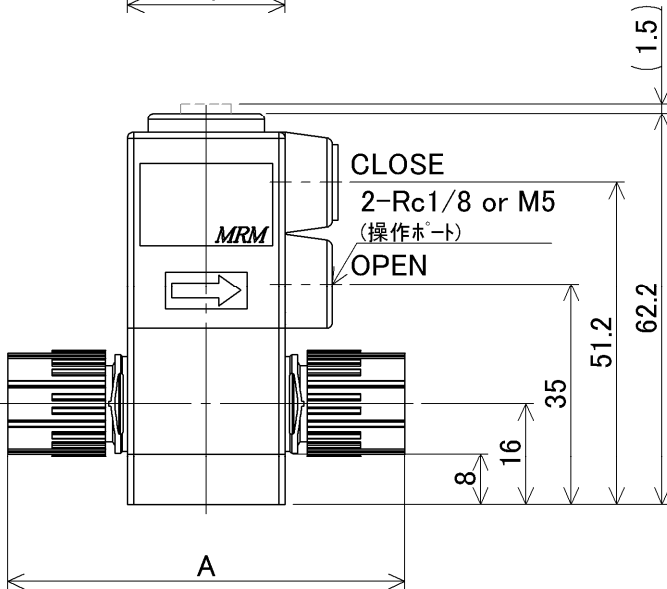
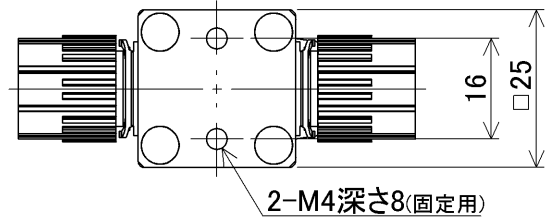
尺寸 (Dimensions)

- ▶ $\Phi 6 \times \Phi 4$, N4
- ▶ 1/4"($\times 5/32$ "), 1/4"($\times \Phi 4.3$)

MAV □ - 8 TF - □□ - □ - □ 1 □ □
MPAV



底面取付 (Bottom mounting)



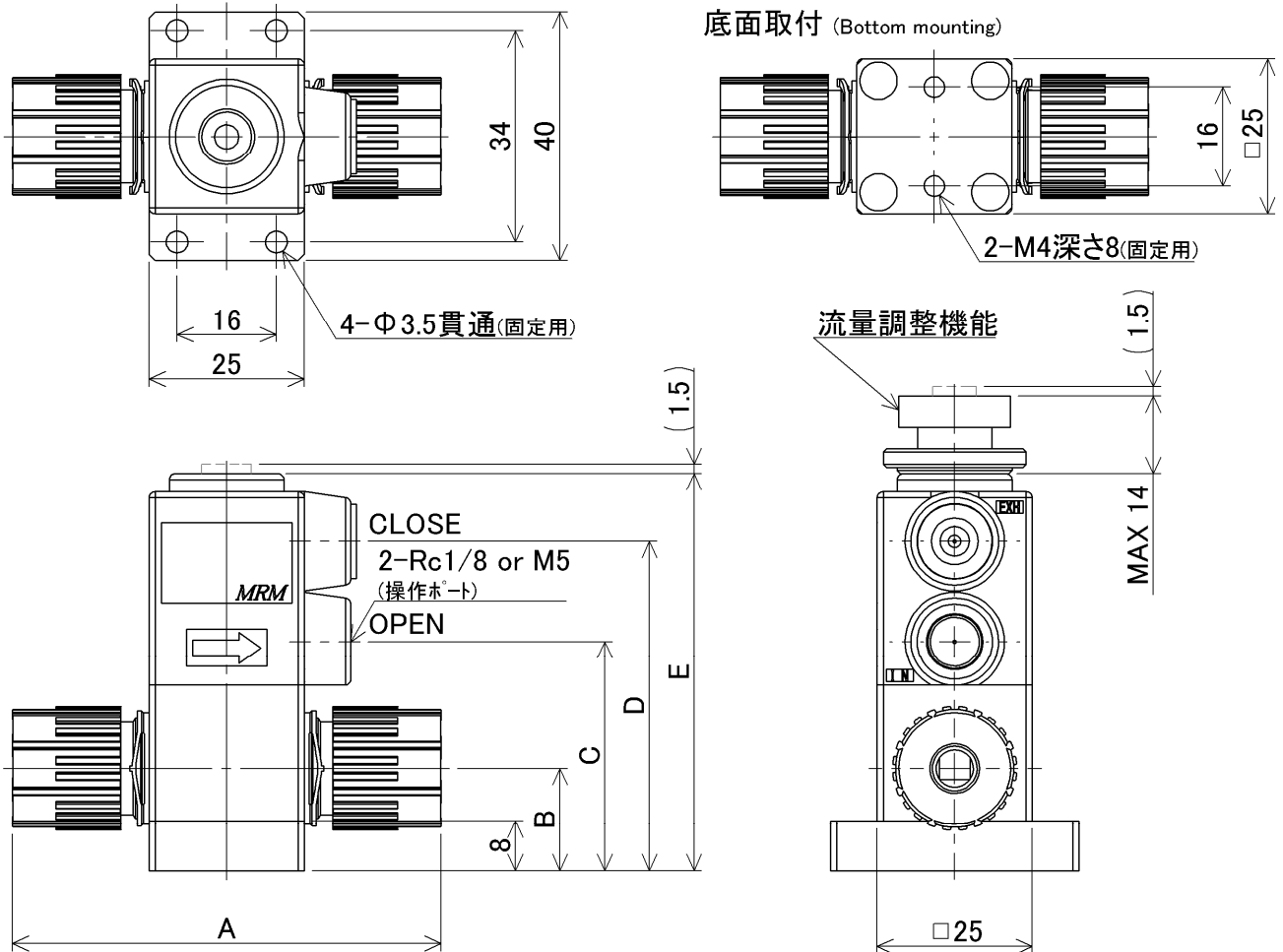
| 接続方式 (Connection method) | A |
|-----------------------------|------|
| Flowell 20series | 59 |
| Flowell 60series | 87 |
| Flowell 80series | 65 |
| Pillar Super fitting | 64 |
| Pillar Super 300 | 63 |
| Pillar Super flare | 62.8 |
| Kurabo Final lock | 66 |
| Kurabo K-Fitter | 65 |
| Bueno Fit-One | 72 |
| Flare Type | 83 |
| Nano Link system | 47.4 |
| Tube Type | 59 |

MAV, MPAV (ON/OFF, Flow adjustment)

尺寸 (Dimensions)

▶ $\Phi 8 \times \Phi 6$, N6

MAV □ - 8 TF 6 - □□ - □ - □ 1 □ □
MPAV □ - 8 TF 6 - □□ - □ - □ 1 □ □



| 接續方式 (Connection method) | A | B | C | D | E |
|-----------------------------|------|------|----|------|------|
| Flowell 20series | 61 | 16.5 | 37 | 53.2 | 64.2 |
| Flowell 60series | 87 | 16.5 | 37 | 53.2 | 64.2 |
| Pillar Super 300 | 69 | 16.5 | 37 | 53.2 | 64.2 |
| Pillar Super flare | 66 | 16.5 | 37 | 53.2 | 64.2 |
| Bueno Fit-One | 80.4 | 16.5 | 37 | 53.2 | 64.2 |
| Nano Link system | 55.2 | 18.5 | 39 | 55.2 | 66.2 |
| Tube Type | 61 | 16.5 | 37 | 53.2 | 64.2 |

| | | | | | | |
|-----|--------------------------------|--|------|-------------------|-------|-------|
| PFA | Flare Type Flowell 60series | Pillar Super 300 Pillar Super flare | PTFE | PTFE (HI-TEMP) | Other | Union |
| | Tube Fitting | Tube Fitting | | | | |