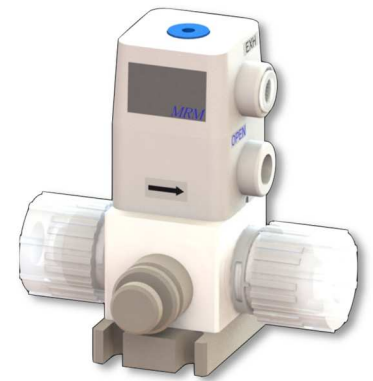
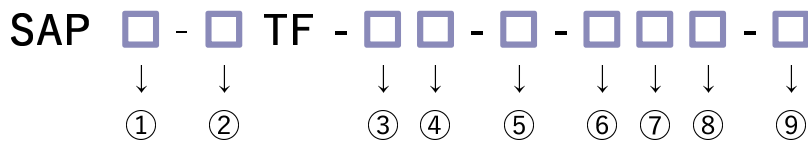


气动阀 (Air-Operated Valves)

- 可对应各种连接方式。
- 接流体部全部都是氟化乙烯树脂(PTFE)，抗腐蚀。
- 超低粉尘清理(表面粗糙度加工、精密洗净、平面构造)。
- MRM独自的安全构造(高压对策及热循环对策)。



型号表示方法 (How to order)



型号选定例 (Model Number Selection example)

SAP2-15TF-SB-7-E1B

: NC, 1/2" (×3/8"), Pillar Super 300, Bypass, EPDM, Bottom mounting

① 制动方式 (Operation method)

2	NC (Normal Close)
9	NO (Normal Open)

◎ : 标准在库品 (Standard stock)

○ : 受注生产产品 (Made to order)

— : 无在庫 (Not stock)

② 阀门尺寸 (Valve size)

		8	8TF6 ※1	10	15	20	25
mm		Φ6 × Φ4 , N4	Φ8 × Φ6 , N6	Φ10 × Φ8 , N8	Φ12 × Φ10 , N10	Φ19 × Φ16 , N16	Φ25 × Φ22 , N22
inch		1/4" (×5/32")		3/8" (×1/4")	1/2" (×3/8")	3/4" (×5/8")	1" (×7/8")

③ 连接方式 (Connection method)

		mm	inch	mm	inch	mm	inch	mm	inch	mm	inch	mm	inch
F	Flowell 20series	○	○ ※2	○	—	○	○	○	○	○	○	○	○
FA	Flowell 20Aseries	—	—	—	—	○	○	○	○	○	○	○	○
R	Flowell 60series	○	○	○	—	○	○	○	○	○	○	○	○
H	Flowell 80series	○	○	—	—	○	○	○	○	○	○	○	○
P	Pillar Super fitting	○	○	—	—	○	○	○	○	○	○	○	○
S	Pillar Super 300	○	○	○	—	◎	◎	◎	◎	◎	◎	○	○
L	Pillar Super flare	○	○	○	—	○	○	○	○	○	○	○	○
K	Kurabo Final lock	○	○	—	—	○	○	○	○	○	○	○	○
C	Kurabo K-Fitter	○	○	—	—	○	○	○	○	○	○	○	○
B	Bueno Fit-One	○	○	○	—	○	○	○	○	○	○	○	○
X	Flare Type	—	○	—	—	—	○	—	○	—	○	—	○
NL	Yodogawa Nano Link system	○ ※3	—	○ ※3	—	○ ※3	—	○ ※3	—	○ ※3	—	○ ※3	—
T	Tube Type	○	○	○	—	○	○	○	○	○	○	○	○

④ 管道规格 (Tube Standard)

A	mm
B	inch

⑤ 附加功能 (Additional function)

7	节水功能 (Bypass)
8	流量调整+节水功能 (Flow adjustment + Bypass)

⑥ O-Ring ※4

(No sign)	FKM
V	DAI-EL G902
E	EPDM

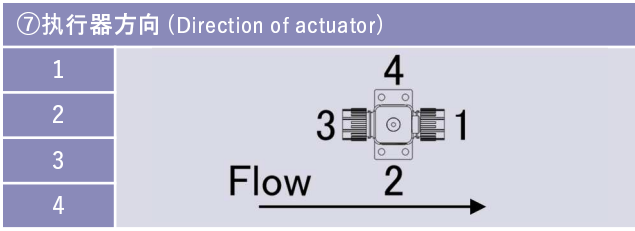
注释 (Note)

※1: "TF"的前后请分别记入"8"和"6"。

※2: 配管尺寸为1/4" (×Φ4.3)。

※3: 管道规格并不记载, 只以NL的形式进行记载。(例) N4: 8TF-NL

※4: 不接触流体, 但有腐蚀性高的流体时请选择。



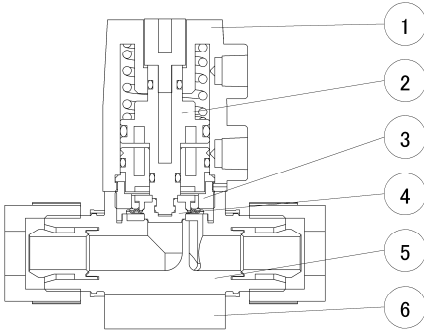
⑧ 固定 (Mounting)

(No sign)	法兰固定 (Flange mounting)
B	底面取付け (Bottom mounting)

⑨ 螺母涂层 (Bolt coating) ※1

(No sign)	无涂层 (Not coated)
Y	有涂层 (Coated)

内部构造 (Internal structure)



品号 (No)	零件名 (Parts name)	材质 (Material)
①	外壳 (Case)	PP
②	活塞 (Piston)	PP
③	填料式旋塞阀 (Stuffing)	PP
④	薄膜 (Diaphragm)	PTFE
⑤	本体 (Body)	PTFE
⑥	底座 (Base)	PP

规格 (Specifications)

使用流体 (Fluid)	化学品·纯水·气体 (Chemical liquid, DIW, Gas) ※2					
流体温度 (Fluid temperature range)	10~100°C					
大气温度 (Atmospheric temperature)	0~40°C					
液体流动部分的材质 (Materials of liquid flowed parts)	本体 (Body)	: PTFE				
	薄膜 (Diaphragm)	: PTFE				
操作方式 (Operating system)	单动式 (Spring return actuation)					
操作压力 (Pneumatic supply pressure)	0.3~0.6MPa					
阀门尺寸 (Valve size)	8 (1/4")	8TF6	10 (3/8")	15 (1/2")	20 (3/4")	25 (1")
流通孔 (Orifice)	Φ7	Φ7	Φ8	Φ10	Φ16	Φ22
流体压力 (Fluid pressure range)	0~0.3MPa					
0.3MPa规格 (0.3MPa specification)	IN→OUT	0~0.3MPa				
	背压 (Back pressure)	0~0.3MPa		0~0.2MPa		0~0.1MPa

PFA
Flare Type Flowell 60series
Pillar Super 300 Pillar Super flare
PTFE
Tube Fitting
PTFE (HI-TEMP)
Tube Fitting
Other
Union

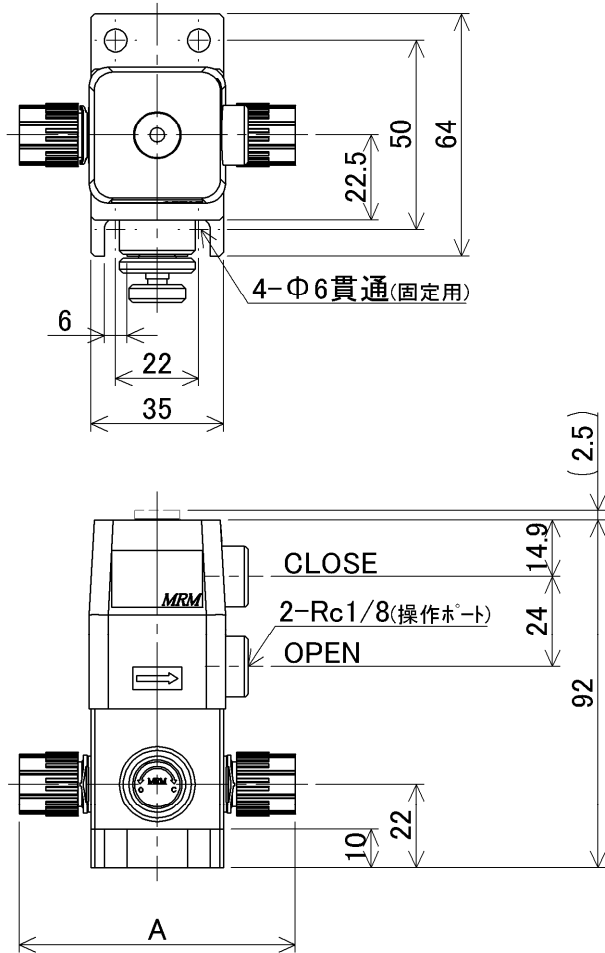
注释 (Note)

※1: 虽不接触流体, 但有腐蚀性高的流体时请选择。
 ※2: 气体在最大1cm³/min的时候, 有可能会发生阀底座泄露。

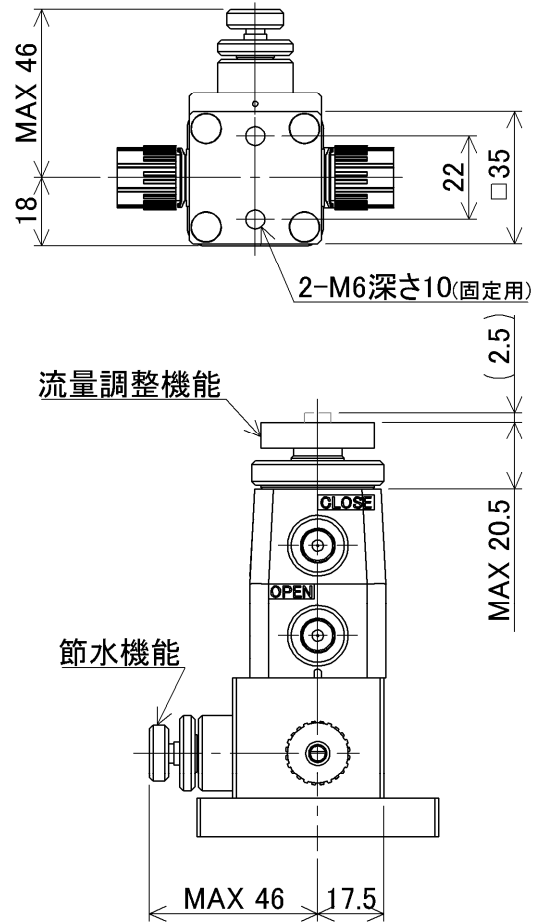
尺寸 (Dimensions)

- ▶ $\Phi 6 \times \Phi 4$, N4
- ▶ 1/4" ($\times 5/32$ ")

SAP □ - 8 TF - □□ - □ - □1□ - □



底面取付 (Bottom mounting)

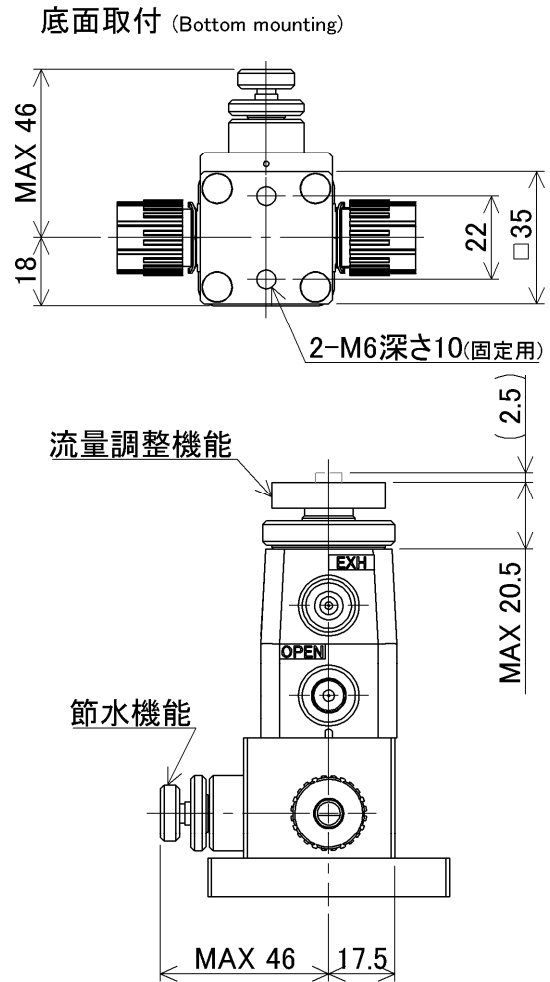
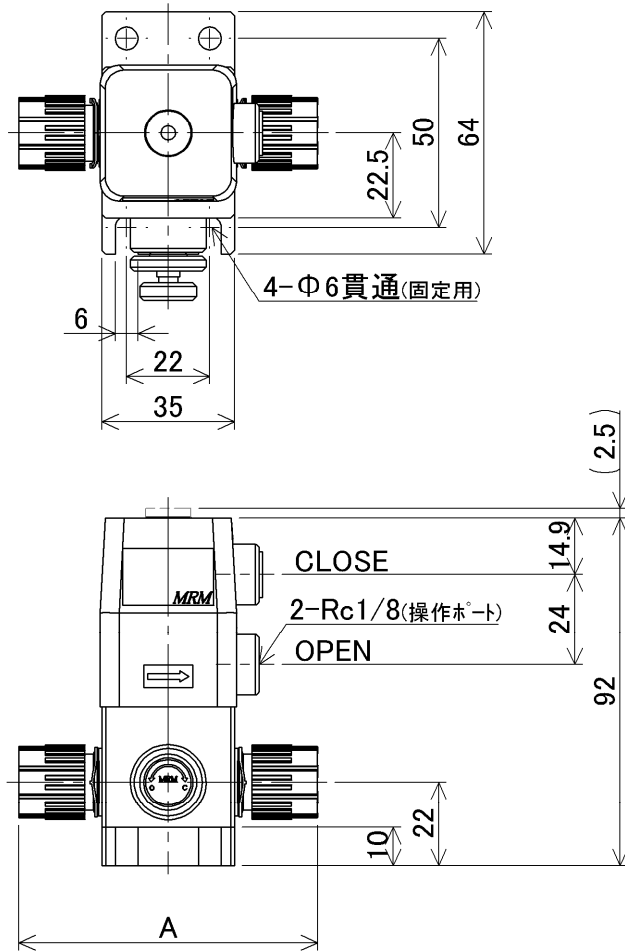


连接方式 (Connection method)	A
Flowell 20series	69
Flowell 60series	97
Flowell 80series	75
Pillar Super fitting	74
Pillar Super 300	73
Pillar Super flare	72.8
Kurabo Final lock	76
Kurabo K-Fitter	75
Bueno Fit-One	82
Flare Type	93
Nano Link system	57.4
Tube Type	69

尺寸 (Dimensions)

▶ $\Phi 8 \times \Phi 6$, N6

SAP □ - 8 TF 6 - □□ - □ - □ 1□ - □



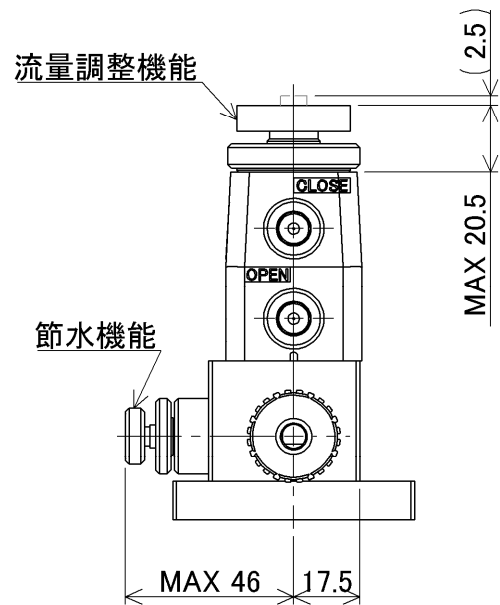
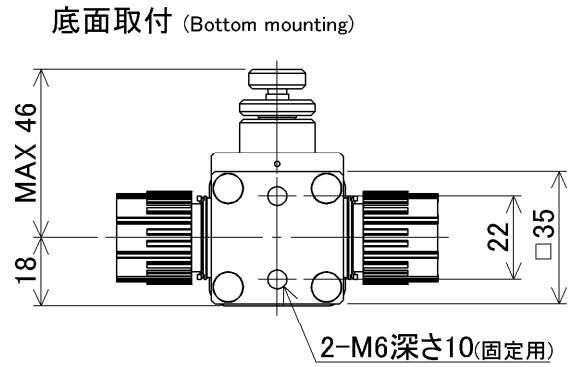
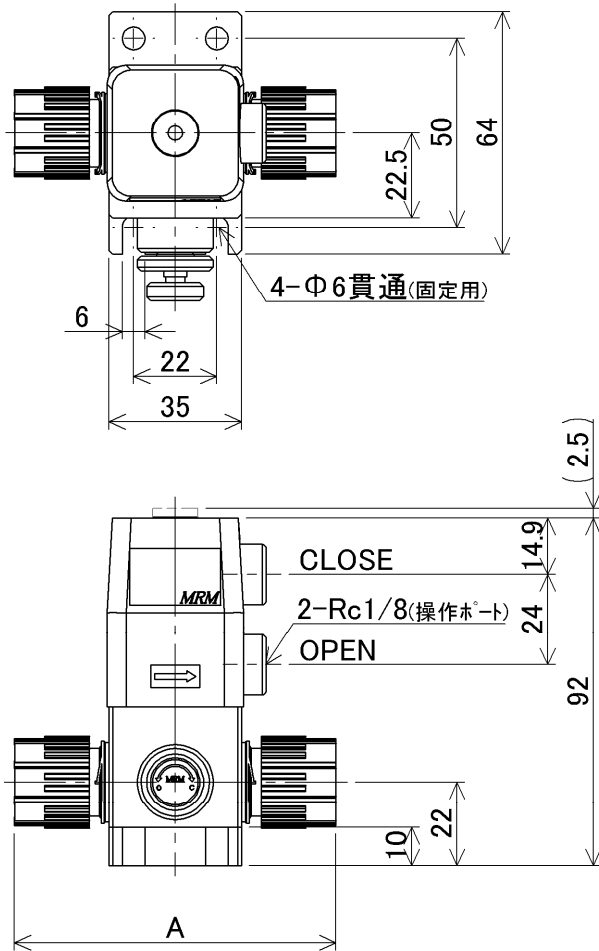
连接方式 (Connection method)	A
Flowell 20series	71
Flowell 60series	97
Pillar Super 300	79
Pillar Super flare	76
Bueno Fit-One	90.4
Nano Link system	65.2
Tube Type	71

PFA
Flare Type Flowell 60series
Pillar Super 300 Pillar Super flare
PTFE
Tube Fitting
PTFE (HI-TEMP)
Tube Fitting
Other
Union

尺寸(Dimensions)

- ▶ $\Phi 10 \times \Phi 8, N8$
- ▶ $3/8"(\times 1/4")$

SAP □ - 10 TF - □□ - □ - □1□ - □

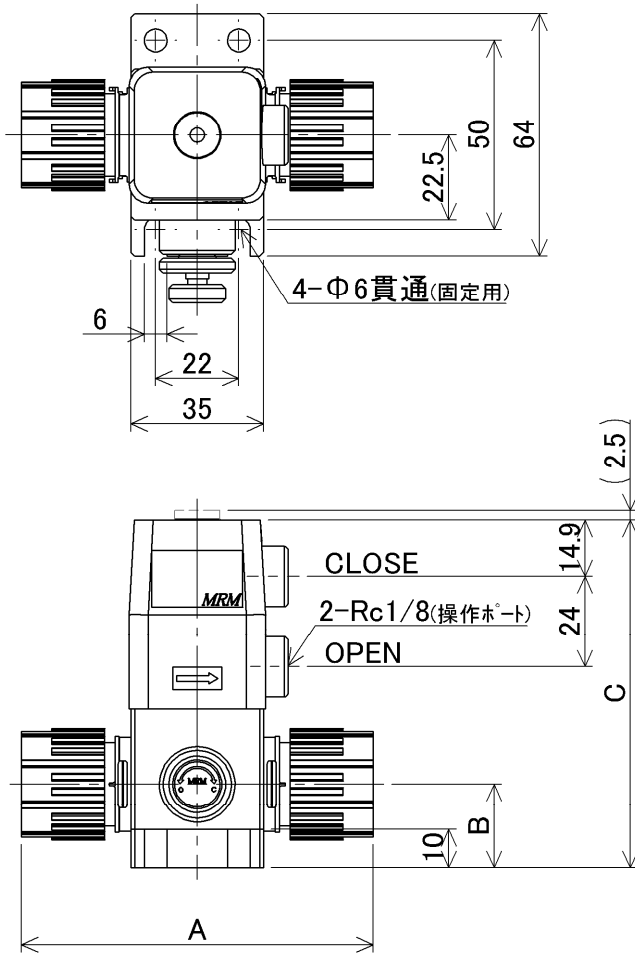


连接方式 (Connection method)	A
Flowell 20series	77
Flowell 20Aseries	77
Flowell 60series	113
Flowell 80series	86
Pillar Super fitting	88
Pillar Super 300	85
Pillar Super flare	84.6
Kurabo Final lock	93
Kurabo K-Fitter	75
Bueno Fit-One	90.4
Flare Type	98.6
Nano Link system	69.8
Tube Type	83

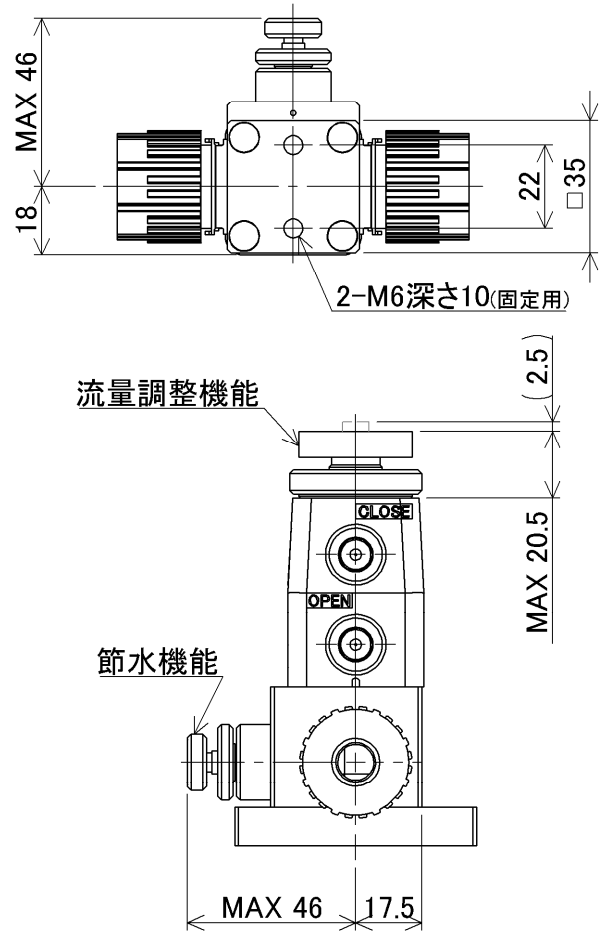
尺寸 (Dimensions)

- ▶ $\Phi 12 \times \Phi 10$, N10
- ▶ 1/2" ($\times 3/8$ ")

SAP □ - 15 TF - □□ - □ - □ 1 □ - □



底面取付 (Bottom mounting)



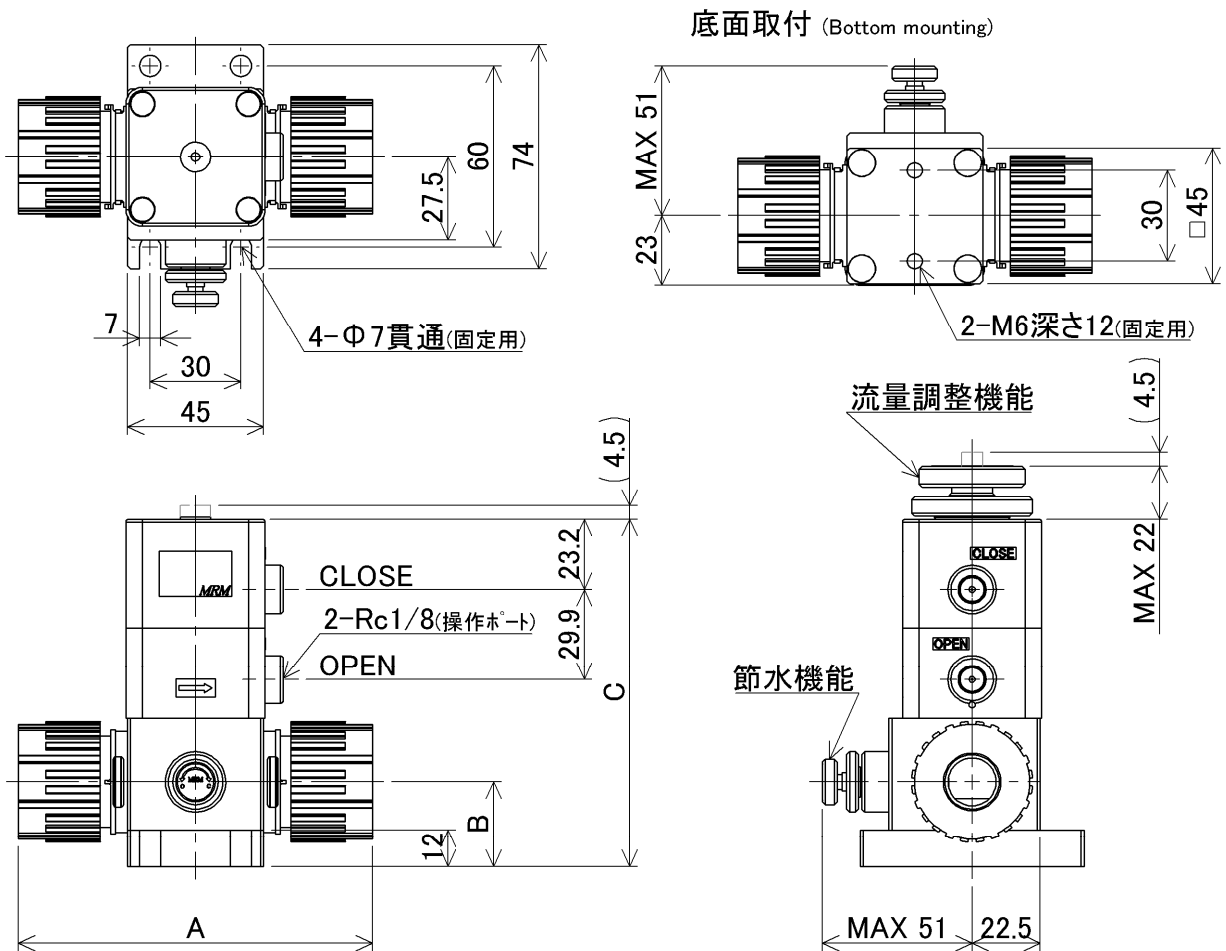
连接方式 (Connection method)	A	B	C
Flowell 20series	85	22	92
Flowell 20Aseries	85	22	92
Flowell 60series	113	22	92
Flowell 80series	93	24	94
Pillar Super fitting	95	22	92
Pillar Super 300	93	22	92
Pillar Super flare	92.6	22	92
Kurabo Final lock	95	22	92
Kurabo K-Fitter	81	22	92
Bueno Fit-One	99	22	92
Flare Type	102.6	22	92
Nano Link system	72.2	24	94
Tube Type	85	22	92

PFA
Flare Type Flowell 60series
Pillar Super flare Pillar Super 300
PTFE
Tube Fitting
PTFE (HI-TEMP)
Tube Fitting
Other
Union

尺寸 (Dimensions)

- ▶ $\Phi 19 \times \Phi 16$, N16
- ▶ $3/4"$ ($\times 5/8"$)

SAP □ - 20 TF - □□ - □ - □1□ - □

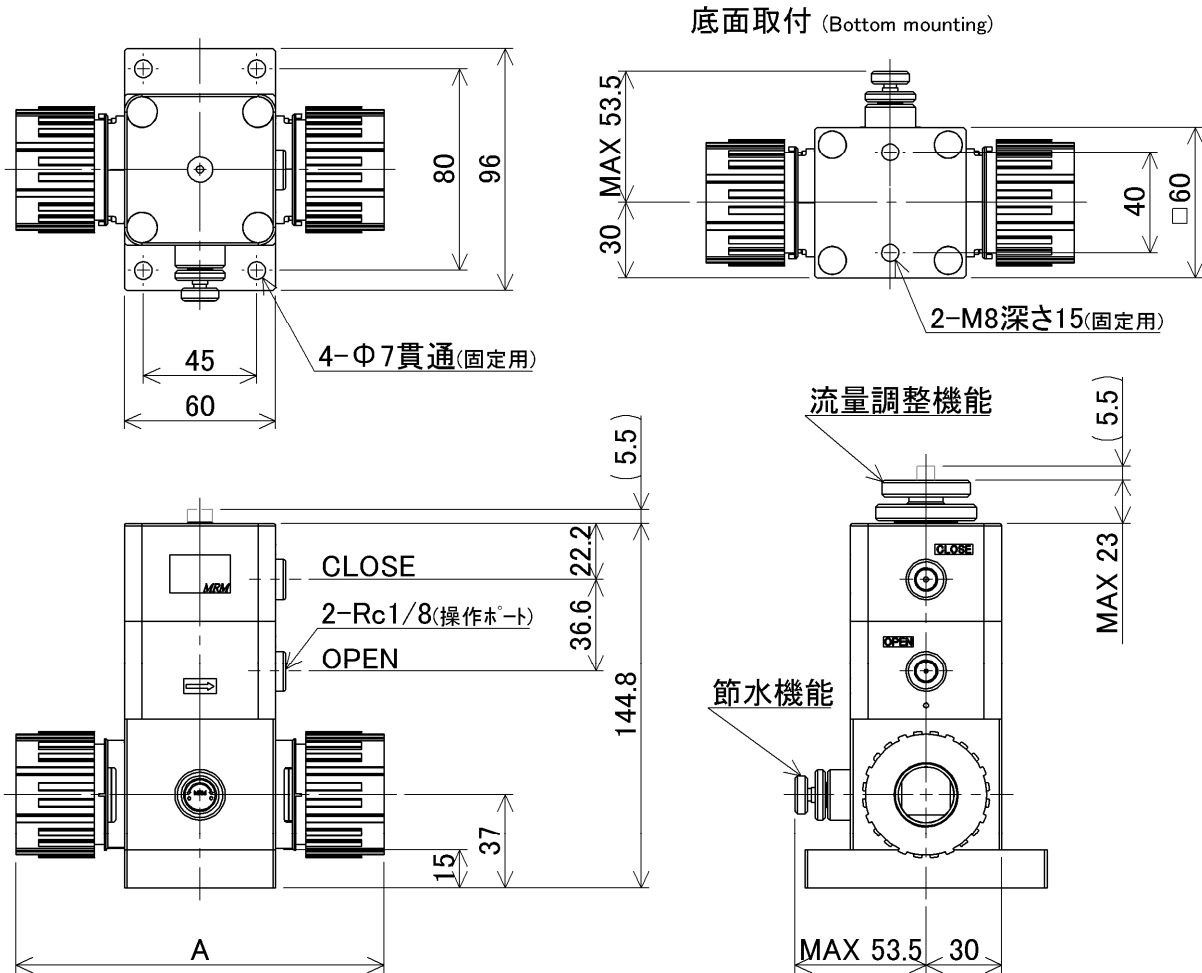


连接方式 (Connection method)	A	B	C
Flowell 20series	107	28	115
Flowell 20Aseries	107	28	115
Flowell 60series	133	28	115
Flowell 80series	118	28	115
Pillar Super fitting	124	28	115
Pillar Super 300	117	28	115
Pillar Super flare	116.6	28	115
Kurabo Final lock	114	28	115
Kurabo K-Fitter	99	28	115
Bueno Fit-One	127	28	115
Flare Type	118.6	28	115
Nano Link system	90.6	30	117
Tube Type	105	28	115

尺寸 (Dimensions)

- ▶ $\Phi 25 \times \Phi 22$, N22
- ▶ 1" ($\times 7/8$ ")

SAP □ - 25 TF - □□ - □ - □1□ - □



连接方式 (Connection method)	A
Flowell 20series	144
Flowell 20Aseries	144
Flowell 60series	162
Flowell 80series	138
Pillar Super fitting	150
Pillar Super 300	146
Pillar Super flare	143
Kurabo Final lock	139
Kurabo K-Fitter	122
Bueno Fit-One	156
Flare Type	150
Nano Link system	110.4
Tube Type	140

PFA
Flare Type Flowell 60series
Pillar Super 300 Pillar Super flare
PTFE
Tube Fitting
PTFE (HI-TEMP)
Tube Fitting
Other
Union