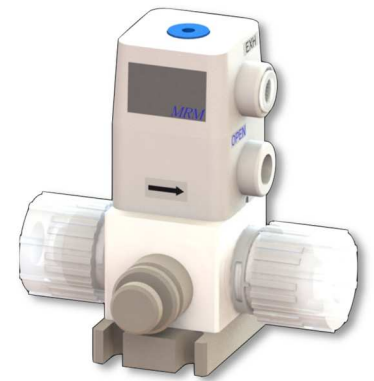
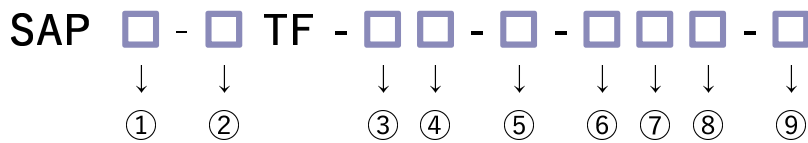


氣動閥 (Air-Operated Valves)

- 可各種各種連接方式。
- 接流體部都是氟化乙烯樹脂(PTFE)，抗腐蝕。
- 低粉塵清理(高面粗度加工、精密洗淨、平面構造)。
- MRM獨自的安全構造(高壓對策及熱循環對策)。



型番表示方法 (How to order)



型番選擇例子 (Model Number Selection example)

SAP2-15TF-SB-7-E1B

: NC, 1/2" (×3/8"), Pillar Super 300, Bypass, EPDM, Bottom mounting

① 動作方式 (Operation method)

| | |
|---|-------------------|
| 2 | NC (Normal Close) |
| 9 | NO (Normal Open) |

◎ : 標準在庫品 (Standard stock)

○ : 受注生産品 (Made to order)

— : 無在庫 (Not stock)

② 閥門尺寸 (Valve size)

| | | 8 | 8TF6 ※1 | 10 | 15 | 20 | 25 |
|------|--|-----------------|-----------------|------------------|--------------------|--------------------|--------------------|
| mm | | Φ6 × Φ4 , N4 | Φ8 × Φ6 , N6 | Φ10 × Φ8 , N8 | Φ12 × Φ10 , N10 | Φ19 × Φ16 , N16 | Φ25 × Φ22 , N22 |
| inch | | 1/4" (×5/32") | | 3/8" (×1/4") | 1/2" (×3/8") | 3/4" (×5/8") | 1" (×7/8") |

③ 接續方式 (Connection method)

| | | mm | inch | mm | inch | mm | inch | mm | inch | mm | inch | mm | inch |
|----|---------------------------|------|------|------|------|------|------|------|------|------|------|------|------|
| F | Flowell 20series | ○ | ○ ※2 | ○ | — | ○ | ○ | ○ | ○ | ○ | ○ | ○ | ○ |
| FA | Flowell 20Aseries | — | — | — | — | ○ | ○ | ○ | ○ | ○ | ○ | ○ | ○ |
| R | Flowell 60series | ○ | ○ | ○ | — | ○ | ○ | ○ | ○ | ○ | ○ | ○ | ○ |
| H | Flowell 80series | ○ | ○ | — | — | ○ | ○ | ○ | ○ | ○ | ○ | ○ | ○ |
| P | Pillar Super fitting | ○ | ○ | — | — | ○ | ○ | ○ | ○ | ○ | ○ | ○ | ○ |
| S | Pillar Super 300 | ○ | ○ | ○ | — | ◎ | ◎ | ◎ | ◎ | ◎ | ◎ | ○ | ○ |
| L | Pillar Super flare | ○ | ○ | ○ | — | ○ | ○ | ○ | ○ | ○ | ○ | ○ | ○ |
| K | Kurabo Final lock | ○ | ○ | — | — | ○ | ○ | ○ | ○ | ○ | ○ | ○ | ○ |
| C | Kurabo K-Fitter | ○ | ○ | — | — | ○ | ○ | ○ | ○ | ○ | ○ | ○ | ○ |
| B | Bueno Fit-One | ○ | ○ | ○ | — | ○ | ○ | ○ | ○ | ○ | ○ | ○ | ○ |
| X | Flare Type | — | ○ | — | — | — | ○ | — | ○ | — | ○ | — | ○ |
| NL | Yodogawa Nano Link system | ○ ※3 | — | ○ ※3 | — | ○ ※3 | — | ○ ※3 | — | ○ ※3 | — | ○ ※3 | — |
| T | Tube Type | ○ | ○ | ○ | — | ○ | ○ | ○ | ○ | ○ | ○ | ○ | ○ |

④ 管道規格 (Tube Standard)

| | |
|---|------|
| A | mm |
| B | inch |

⑤ 付加機能 (Additional function)

| | |
|---|--------------------------------------|
| 7 | 節水機能 (Bypass) |
| 8 | 流量調整+節水機能 (Flow adjustment + Bypass) |

⑥ O-Ring ※4

| | |
|-----------|-------------|
| (No sign) | FKM |
| V | DAI-EL G902 |
| E | EPDM |

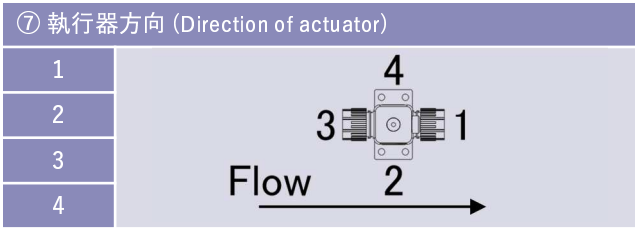
注記 (Note)

※1 : "TF"前後に請分別記入8"和"6"。

※2 : 配管尺寸為1/4" (×Φ4.3)。

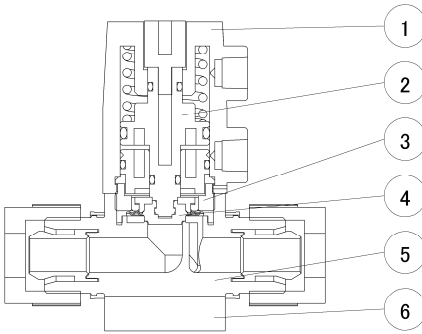
※3 : 管道規格并不記載，只以NL記載。(例) N4 : 8TF-NL

※4 : 雖不接觸液體，但有腐蝕性高的流體時請選擇。



| ⑧ 固定 (Mounting) | |
|--------------------------|------------------------|
| (No sign) | 法蘭固定 (Flange mounting) |
| B | 底面固定 (Bottom mounting) |
| ⑨ 螺母塗層 (Bolt coating) ※1 | |
| (No sign) | 無塗層 (Not coated) |
| Y | 有塗層 (Coated) |

內部構造 (Internal structure)



| 品番 (No) | 零件名 (Parts name) | 材質 (Material) |
|---------|-------------------|---------------|
| ① | 外殼 (Case) | PP |
| ② | 活塞 (Piston) | PP |
| ③ | 填料式旋塞閥 (Stuffing) | PP |
| ④ | 薄膜 (Diaphragm) | PTFE |
| ⑤ | 本體 (Body) | PTFE |
| ⑥ | 底座 (Base) | PP |

規格 (Specifications)

| | | | | | | |
|---|--|----------|-----------|-----------|-----------|----------|
| 使用流體 (Fluid) | 化學品・純水・氣體 (Chemical liquid, DIW, Gas) ※2 | | | | | |
| 流體溫度 (Fluid temperature range) | 10~100°C | | | | | |
| 大氣溫度 (Atmospheric temperature) | 0~40°C | | | | | |
| 液體流動部分材質 (Materials of liquid flowed parts) | 本體 (Body) | : PTFE | | | | |
| | 薄膜 (Diaphragm) | : PTFE | | | | |
| 操作方式 (Operating system) | 單動 (Spring return actuation) | | | | | |
| 操作壓力 (Pneumatic supply pressure) | 0.3~0.6MPa | | | | | |
| 閥門尺寸 (Valve size) | 8 (1/4") | 8TF6 | 10 (3/8") | 15 (1/2") | 20 (3/4") | 25 (1") |
| 通氣孔 (Orifice) | Φ7 | Φ7 | Φ8 | Φ10 | Φ16 | Φ22 |
| 流體壓力 (Fluid pressure range) | | | | | | |
| 0.3MPa規格 (0.3MPa specification) | IN→OUT | 0~0.3MPa | | | | |
| | 背壓 (Back pressure) | 0~0.3MPa | | 0~0.2MPa | | 0~0.1MPa |

注記 (Note)

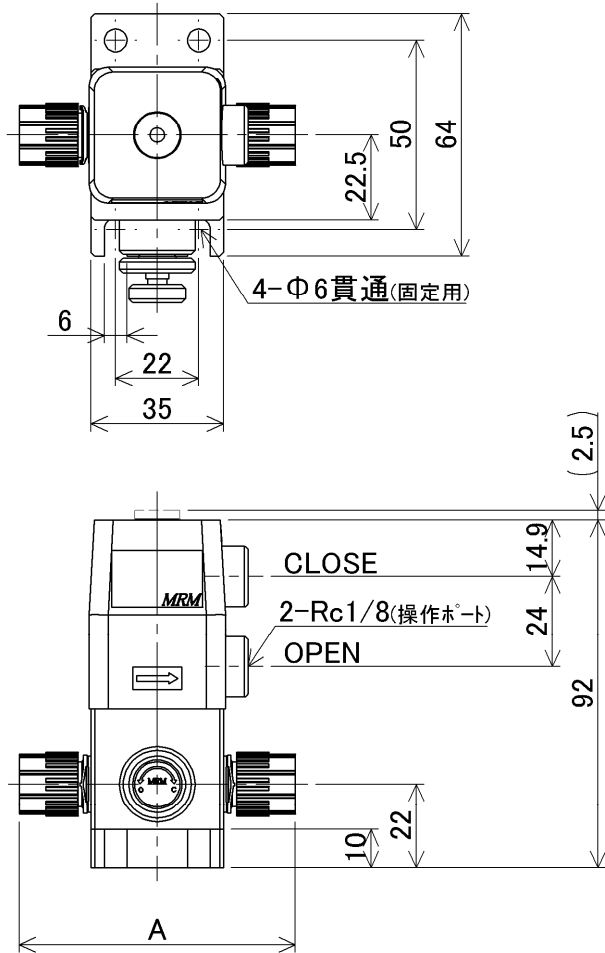
- ※1: 雖不接觸流體, 但有腐蝕性高的流體時請選擇。
- ※2: 氣體在最大1cm³/min時有發生閥底泄露的可能性。

| |
|--|
| PFA |
| Flare Type Flowell 60series |
| Pillar Super 300 Pillar Super flare |
| PTFE |
| Tube Fitting |
| PTFE (HI-TEMP) |
| Tube Fitting |
| Other |
| Union |

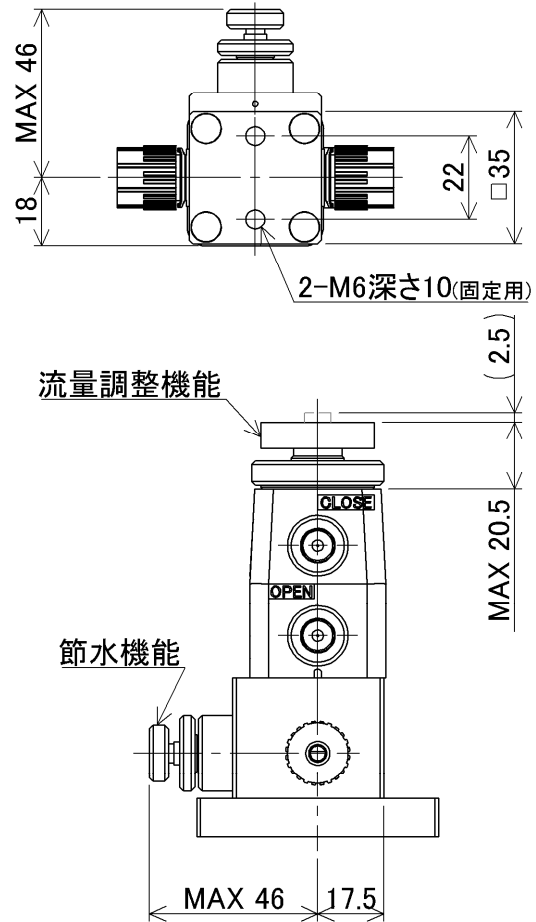
尺寸 (Dimensions)

- ▶ $\Phi 6 \times \Phi 4$, N4
- ▶ 1/4" ($\times 5/32$ ")

SAP □ - 8 TF - □□ - □ - □1□ - □



底面取付 (Bottom mounting)

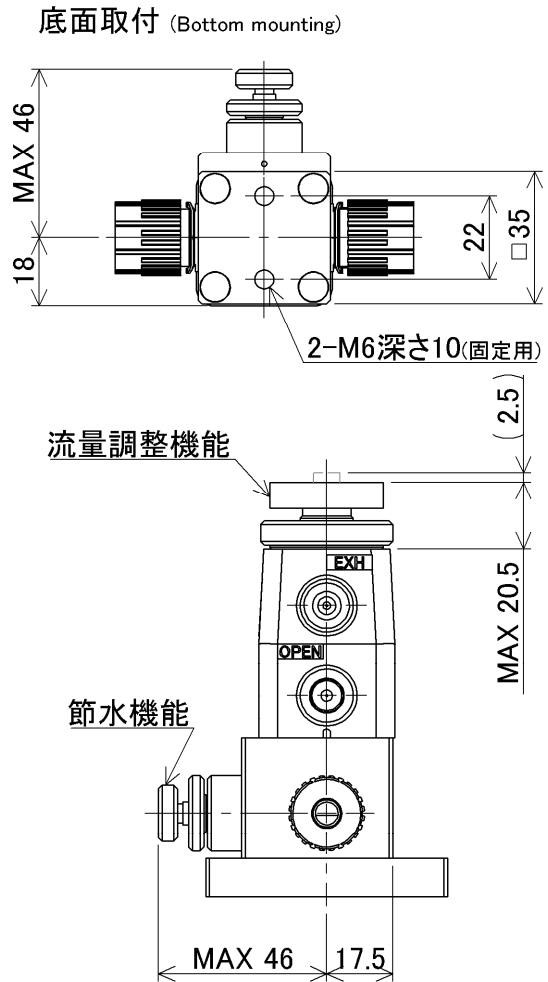
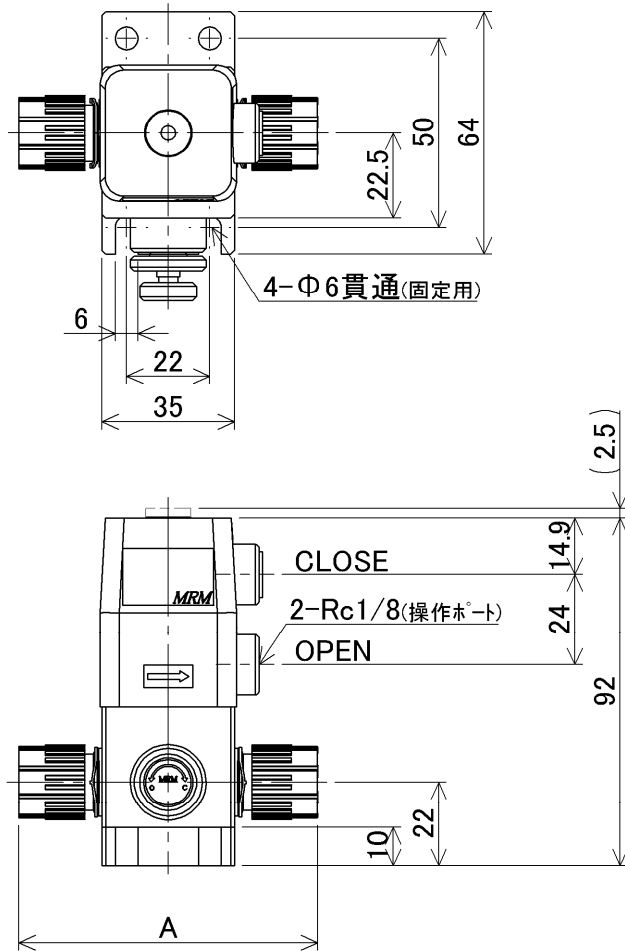


| 接續方式 (Connection method) | A |
|-----------------------------|------|
| Flowell 20series | 69 |
| Flowell 60series | 97 |
| Flowell 80series | 75 |
| Pillar Super fitting | 74 |
| Pillar Super 300 | 73 |
| Pillar Super flare | 72.8 |
| Kurabo Final lock | 76 |
| Kurabo K-Fitter | 75 |
| Bueno Fit-One | 82 |
| Flare Type | 93 |
| Nano Link system | 57.4 |
| Tube Type | 69 |

尺寸 (Dimensions)

▶ $\Phi 8 \times \Phi 6$, N6

SAP □ - 8 TF 6 - □□ - □ - □ 1□ - □



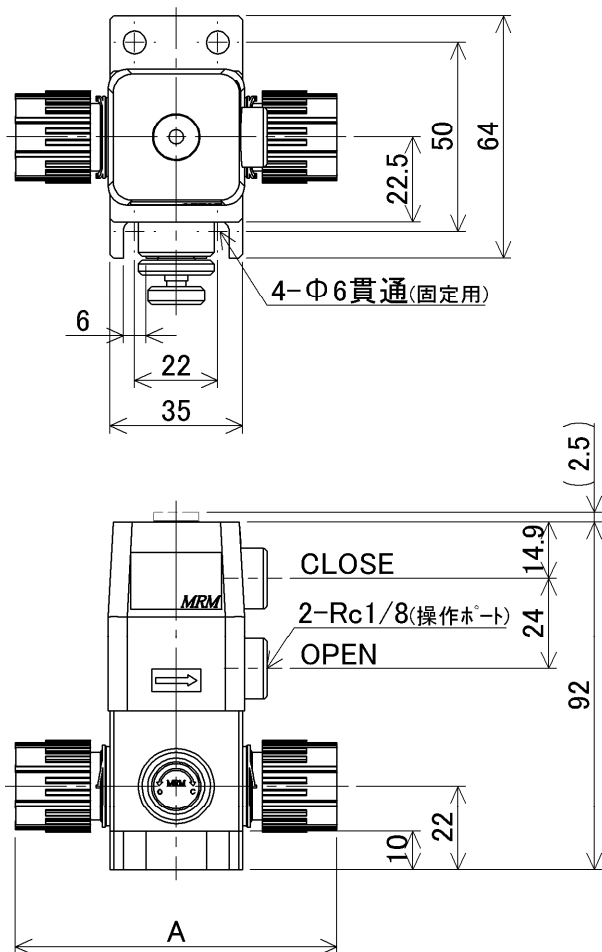
| 接續方式 (Connection method) | A |
|-----------------------------|------|
| Flowell 20series | 71 |
| Flowell 60series | 97 |
| Pillar Super 300 | 79 |
| Pillar Super flare | 76 |
| Bueno Fit-One | 90.4 |
| Nano Link system | 65.2 |
| Tube Type | 71 |

| |
|--|
| PFA |
| Flare Type Flowell 60series |
| Pillar Super 300 Pillar Super flare |
| PTFE |
| Tube Fitting |
| PTFE (HI-TEMP) |
| Tube Fitting |
| Other |
| Union |

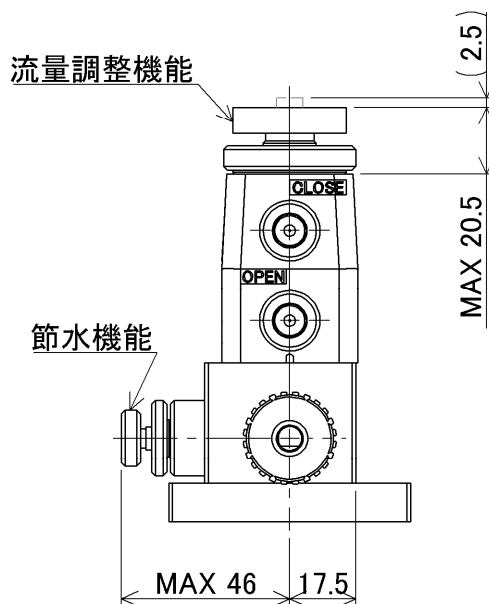
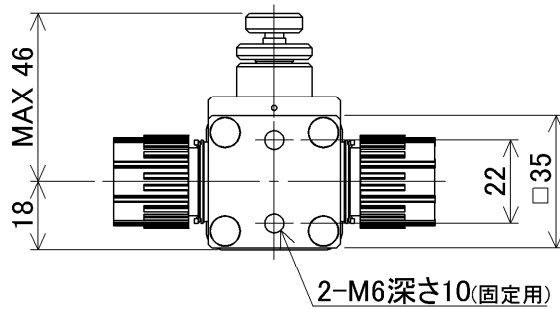
尺寸 (Dimensions)

- ▶ $\Phi 10 \times \Phi 8$, N8
- ▶ 3/8" (×1/4")

SAP □ - 10 TF - □□ - □ - □1□ - □



底面取付 (Bottom mounting)

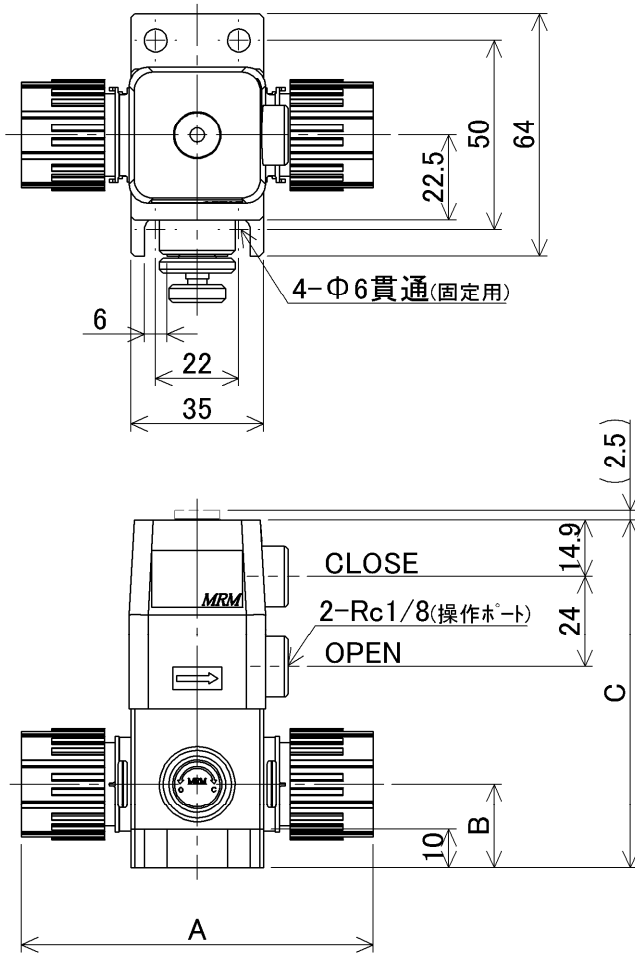


| 接続方式 (Connection method) | A |
|-----------------------------|------|
| Flowell 20series | 77 |
| Flowell 20Aseries | 77 |
| Flowell 60series | 113 |
| Flowell 80series | 86 |
| Pillar Super fitting | 88 |
| Pillar Super 300 | 85 |
| Pillar Super flare | 84.6 |
| Kurabo Final lock | 93 |
| Kurabo K-Fitter | 75 |
| Bueno Fit-One | 90.4 |
| Flare Type | 98.6 |
| Nano Link system | 69.8 |
| Tube Type | 83 |

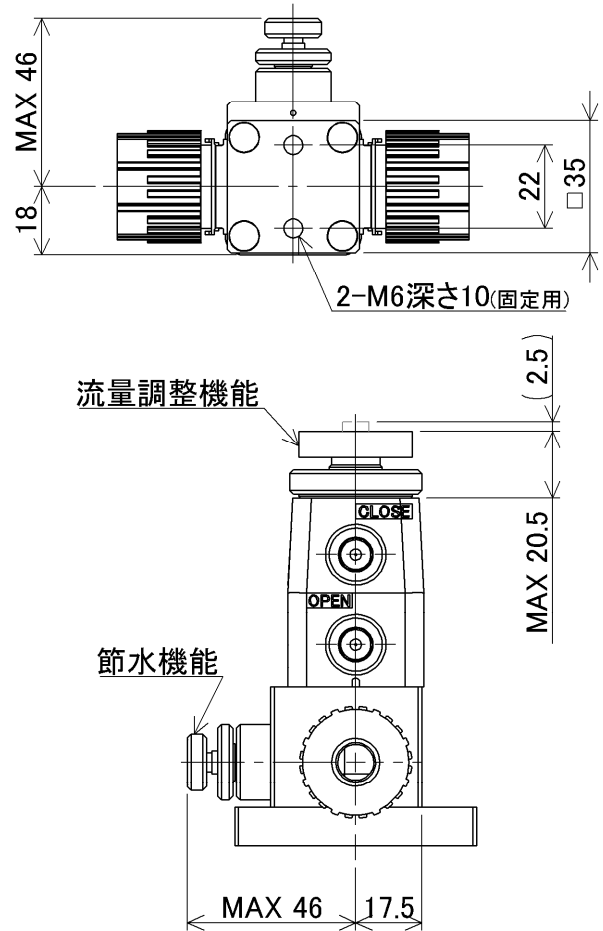
尺寸 (Dimensions)

- ▶ $\Phi 12 \times \Phi 10$, N10
- ▶ 1/2" ($\times 3/8$ ")

SAP □ - 15 TF - □□ - □ - □1□ - □



底面取付 (Bottom mounting)



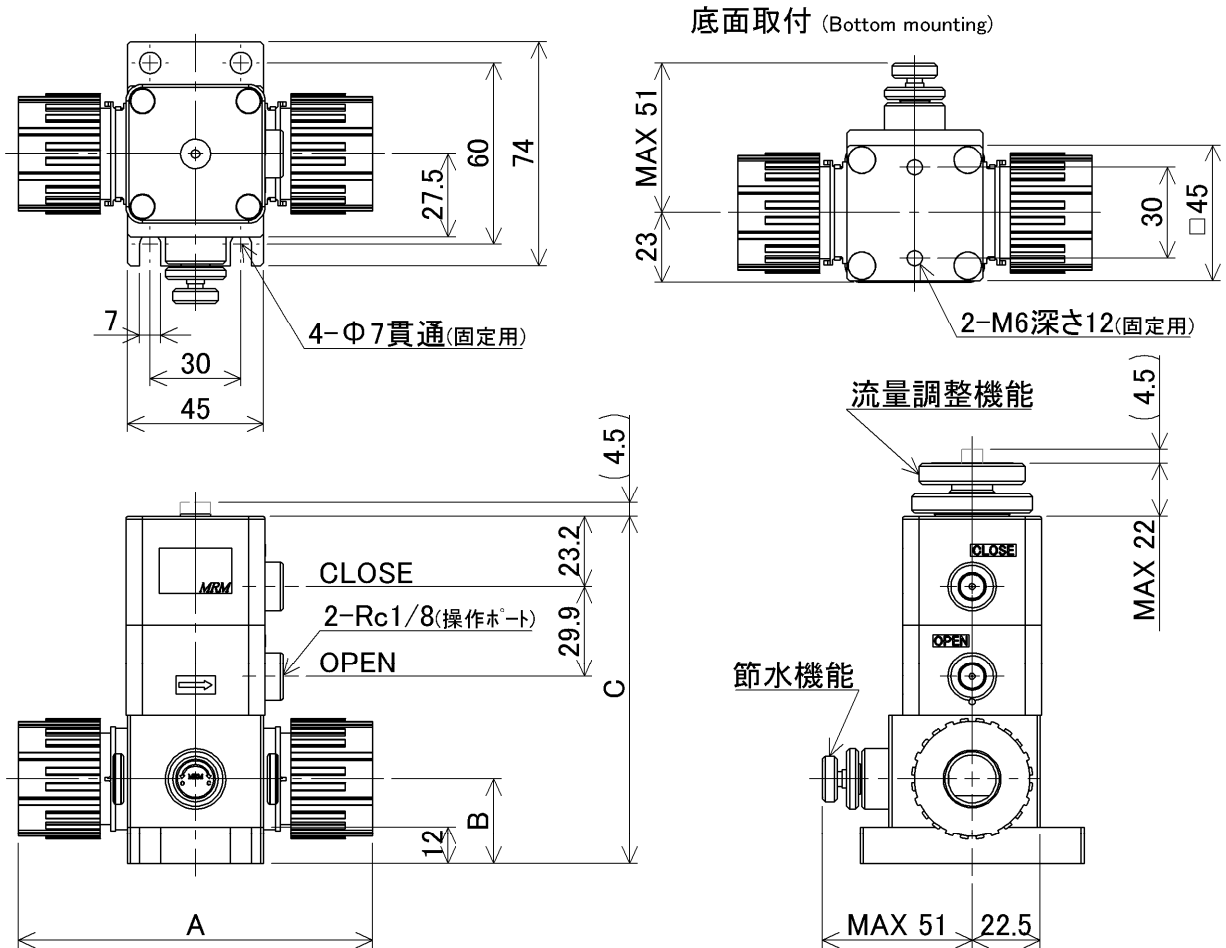
| 接續方式 (Connection method) | A | B | C |
|-----------------------------|-------|----|----|
| Flowell 20series | 85 | 22 | 92 |
| Flowell 20Aseries | 85 | 22 | 92 |
| Flowell 60series | 113 | 22 | 92 |
| Flowell 80series | 93 | 24 | 94 |
| Pillar Super fitting | 95 | 22 | 92 |
| Pillar Super 300 | 93 | 22 | 92 |
| Pillar Super flare | 92.6 | 22 | 92 |
| Kurabo Final lock | 95 | 22 | 92 |
| Kurabo K-Fitter | 81 | 22 | 92 |
| Bueno Fit-One | 99 | 22 | 92 |
| Flare Type | 102.6 | 22 | 92 |
| Nano Link system | 72.2 | 24 | 94 |
| Tube Type | 85 | 22 | 92 |

| |
|--|
| PFA |
| Flare Type Flowell 60series |
| Pillar Super 300 Pillar Super flare |
| PTFE |
| Tube Fitting |
| PTFE (HI-TEMP) |
| Tube Fitting |
| Other |
| Union |

尺寸 (Dimensions)

- ▶ $\Phi 19 \times \Phi 16$, N16
- ▶ $3/4"$ ($\times 5/8"$)

SAP □ - 20 TF - □□ - □ - □1□ - □

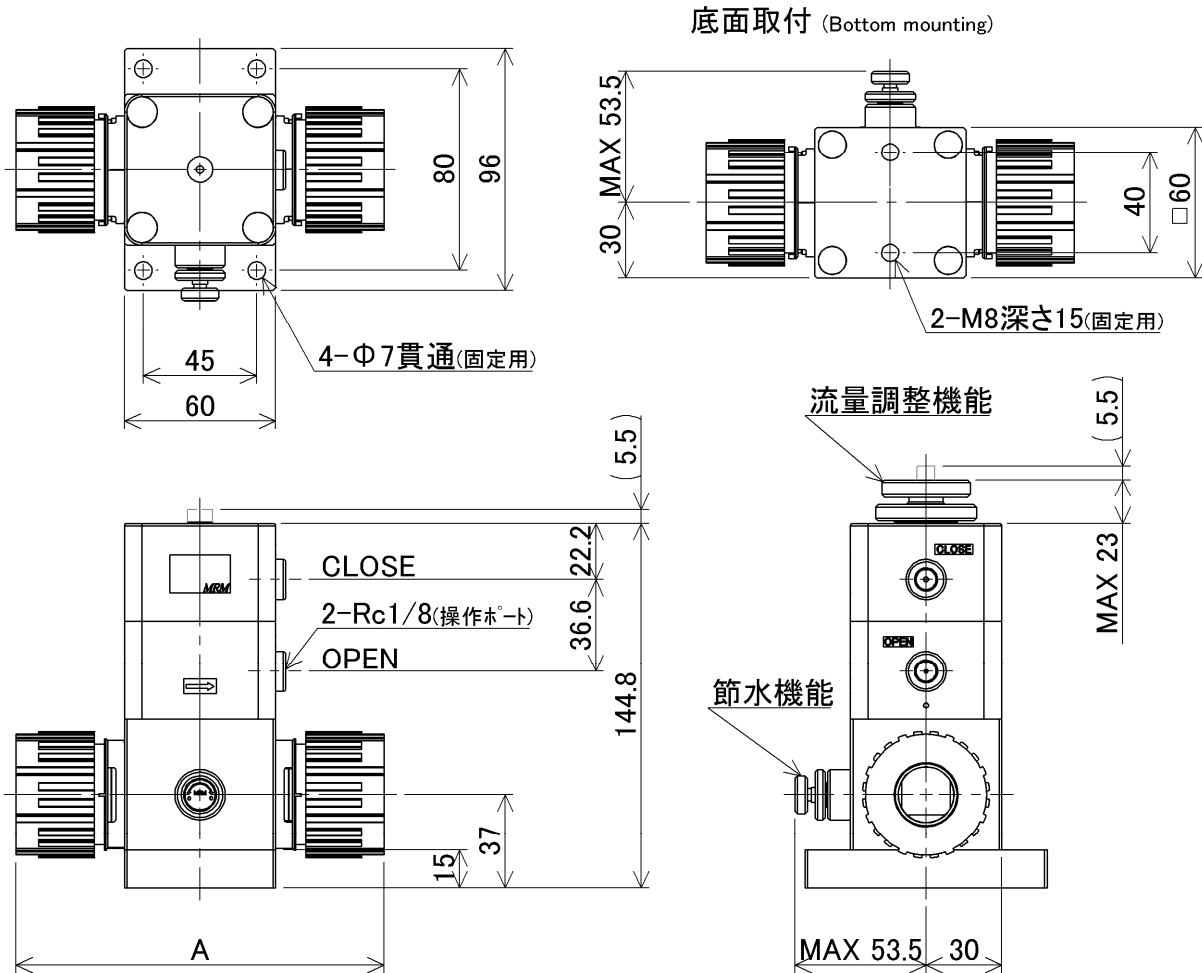


| 接續方式 (Connection method) | A | B | C |
|-----------------------------|-------|----|-----|
| Flowell 20series | 107 | 28 | 115 |
| Flowell 20Aseries | 107 | 28 | 115 |
| Flowell 60series | 133 | 28 | 115 |
| Flowell 80series | 118 | 28 | 115 |
| Pillar Super fitting | 124 | 28 | 115 |
| Pillar Super 300 | 117 | 28 | 115 |
| Pillar Super flare | 116.6 | 28 | 115 |
| Kurabo Final lock | 114 | 28 | 115 |
| Kurabo K-Fitter | 99 | 28 | 115 |
| Bueno Fit-One | 127 | 28 | 115 |
| Flare Type | 118.6 | 28 | 115 |
| Nano Link system | 90.6 | 30 | 117 |
| Tube Type | 105 | 28 | 115 |

尺寸 (Dimensions)

- ▶ $\Phi 25 \times \Phi 22$, N22
- ▶ 1" ($\times 7/8$ ")

SAP □ - 25 TF - □□ - □ - □1□ - □



| 接續方式 (Connection method) | A |
|-----------------------------|-------|
| Flowell 20series | 144 |
| Flowell 20Aseries | 144 |
| Flowell 60series | 162 |
| Flowell 80series | 138 |
| Pillar Super fitting | 150 |
| Pillar Super 300 | 146 |
| Pillar Super flare | 143 |
| Kurabo Final lock | 139 |
| Kurabo K-Fitter | 122 |
| Bueno Fit-One | 156 |
| Flare Type | 150 |
| Nano Link system | 110.4 |
| Tube Type | 140 |

| |
|--|
| PFA |
| Flare Type Flowell 60series |
| Pillar Super 300 Pillar Super flare |
| PTFE |
| Tube Fitting |
| PTFE (HI-TEMP) |
| Tube Fitting |
| Other |
| Union |