

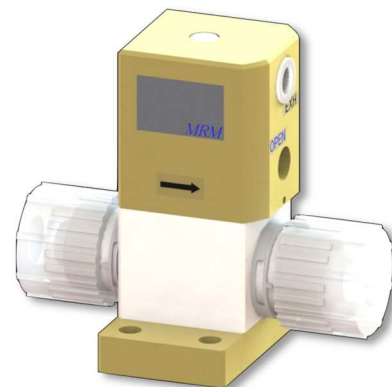
气动阀 (Air-Operated Valves)

- 可对应各种连接方式。
- 接流体部全部都是氟化乙烯树脂(PTFE)，抗腐蚀。
- 超低粉尘处理(表面粗糙度加工、精密洗净、平面构造)。
- MRM独自的安全构造(高压对策及热循环对策)。

型号表示方法 (How to order)

SAH □ - □ TF - □ □ - □ - □ □ □ - □

↓ ↓ ↓ ↓ ↓ ↓ ↓ ↓ ↓
 ① ② ③ ④ ⑤ ⑥ ⑦ ⑧ ⑨



型号选定例 (Model Number Selection example)

SAH2-15TF-SB-1-E1B

: NC, 1/2" (×3/8"), Pillar Super 300, Water-saving, EPDM, Bottom mounting

① 制动方式 (Operation method)

| | |
|---|-------------------|
| 2 | NC (Normal Close) |
| 9 | NO (Normal Open) |

◎ : 标准在库品 (Standard stock)
 ○ : 受注生产品 (Made to order)
 — : 无在库 (Not stock)

② 阀门尺寸 (Valve size)

| | | 8 | 8TF6 ※1 | 10 | 15 | 20 | 25 |
|------|--|---------------|-----------|--------------|--------------|--------------|--------------|
| mm | | Φ6×Φ4, N4 | Φ8×Φ6, N6 | Φ10×Φ8, N8 | Φ12×Φ10, N10 | Φ19×Φ16, N16 | Φ25×Φ22, N22 |
| inch | | 1/4" (×5/32") | | 3/8" (×1/4") | 1/2" (×3/8") | 3/4" (×5/8") | 1" (×7/8") |

③ 连接方式 (Connection method)

| | | mm | inch | mm | inch | mm | inch | mm | inch | mm | inch | mm | inch |
|----|---------------------------|------|------|------|------|------|------|------|------|------|------|------|------|
| F | Flowell 20series | ○ | ○ ※2 | ○ | — | ○ | ○ | ○ | ○ | ○ | ○ | ○ | ○ |
| FA | Flowell 20Aseries | — | — | — | — | ○ | ○ | ○ | ○ | ○ | ○ | ○ | ○ |
| H | Flowell 80series | ○ | ○ | — | — | ○ | ○ | ○ | ○ | ○ | ○ | ○ | ○ |
| P | Pillar Super fitting | ○ | ○ | — | — | ○ | ○ | ○ | ○ | ○ | ○ | ○ | ○ |
| S | Pillar Super 300 | ◎ | ◎ | ○ | — | ◎ | ◎ | ◎ | ◎ | ◎ | ◎ | ◎ | ◎ |
| K | Kurabo Final lock | ○ | ○ | — | — | ○ | ○ | ○ | ○ | ○ | ○ | ○ | ○ |
| C | Kurabo K-Fitter | ○ | ○ | — | — | ○ | ○ | ○ | ○ | ○ | ○ | ○ | ○ |
| B | Bueno Fit-One | ○ | ○ | ○ | — | ○ | ○ | ○ | ○ | ○ | ○ | ○ | ○ |
| NL | Yodogawa Nano Link system | ○ ※3 | — | ○ ※3 | — | ○ ※3 | — | ○ ※3 | — | ○ ※3 | — | ○ ※3 | — |
| T | Tube Type | ○ | ○ | ○ | — | ○ | ○ | ○ | ○ | ○ | ○ | ○ | ○ |

④ 管道规格 (Tube Standard)

| | |
|---|------|
| A | mm |
| B | inch |

⑤ 附加功能 (Additional function)

| | |
|---|--------------------------|
| 0 | ON/OFF |
| 1 | 流量调整機能 (Flow adjustment) |

⑥ O-Ring ※4

| | |
|-----------|-------------|
| (No sign) | FKM |
| V | DAI-EL G902 |
| E | EPDM |

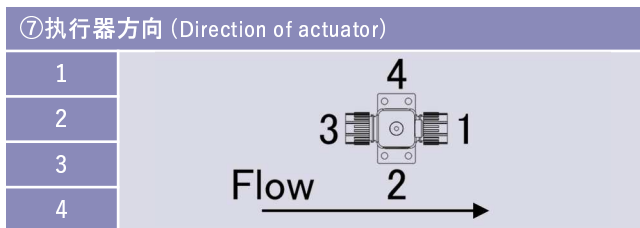
注释 (Note)

※1 : 请在“TF”的前后记录下“4”和“3”或“8”和“6”。

※2 : 配管尺寸为1/4" (×Φ4.3)。

※3 : 管道规格并不记载, 只以NL的形式进行记载。(例) N4 : 8TF-NL

※4 : 虽不接触流体, 但有腐蚀性高的流体时请选择。



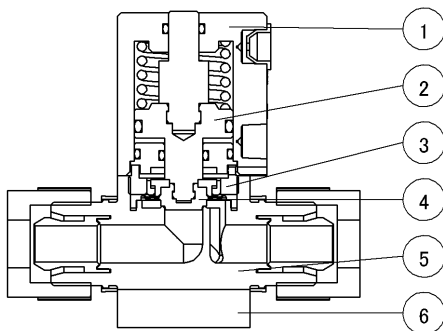
⑧ 固定 (Mounting)

| | |
|-----------|---------------------------|
| (No sign) | フランジベース (Flange mounting) |
| B | 底面取付け (Bottom mounting) |

⑨ 螺母涂层 (Bolt coating) ※1

| | |
|-----------|------------------|
| (No sign) | 无涂层 (Not coated) |
| Y | 有涂层 (Coated) |

内部构造 (Internal structure)



| 品号 (No) | 零件名 (Parts name) | 材质 (Material) |
|---------|-------------------|---------------|
| ① | 外壳 (Case) | PPS |
| ② | 活塞 (Piston) | PPS |
| ③ | 填料式旋塞阀 (Stuffing) | PPS |
| ④ | 薄膜 (Diaphragm) | PTFE |
| ⑤ | 本体 (Body) | PTFE |
| ⑥ | 底座 (Base) | PPS |

规格 (Specifications)

| | | | | | | |
|--|--|----------|-----------|-----------|-----------|---------|
| 使用流体 (Fluid) | 化学品·纯水·气体 (Chemical liquid, DIW, Gas) ※2 | | | | | |
| 流体温度 (Fluid temperature range) | 10~180°C | | | | | |
| 大气温度 (Atmospheric temperature) | 0~60°C | | | | | |
| 液体流动部分的材质 (Materials of liquid flowed parts) | 本体 (Body) | : PTFE | | | | |
| | 薄膜 (Diaphragm) | : PTFE | | | | |
| 操作方式 (Operating system) | 单动式 (Spring return actuation) | | | | | |
| 气压压力 (Pneumatic supply pressure) | 0.3~0.6MPa | | | | | |
| 阀门尺寸 (Valve size) | 8 (1/4") | 8TF6 | 10 (3/8") | 15 (1/2") | 20 (3/4") | 25 (1") |
| 流通孔 (Orifice) | Φ7 | Φ7 | Φ8 | Φ10 | Φ16 | Φ22 |
| 流体压力 (Fluid pressure range) | | | | | | |
| 0.3MPa规格 (0.3MPa specification) | IN→OUT | 0~0.3MPa | | | | |
| | 背压 (Back pressure) | 0~0.3MPa | | 0~0.2MPa | 0~0.1MPa | |

注释 (Note)

※1: 虽不接触流体, 但有腐蚀性高的流体时请选择。

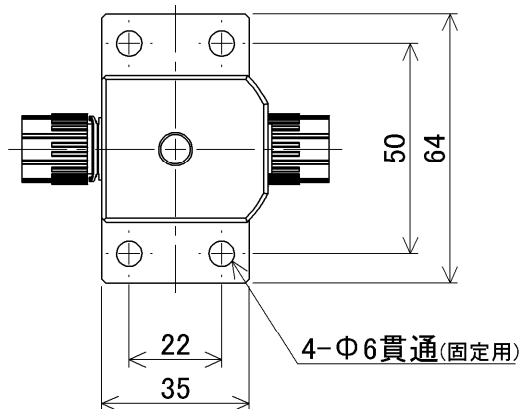
※2: 气体在最大1cm³/min的时候, 有可能会发生阀底座泄露。

| | |
|-------------------|--|
| PFA | Flare Type Flowell 60series |
| PTFE | Pillar Super 300 Pillar Super flare |
| PTFE (HI-TEMP) | Tube Fitting |
| Tube Fitting | Other |
| Union | |

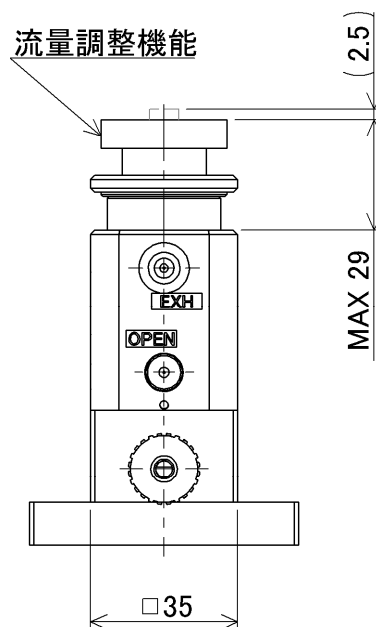
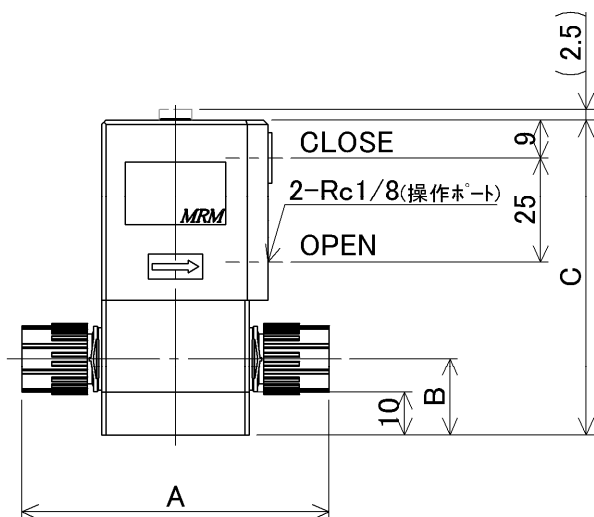
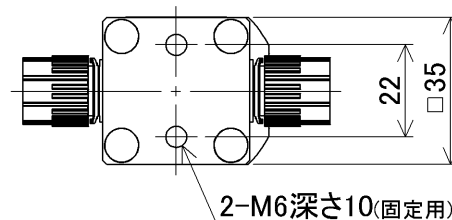
尺寸(Dimensions)

- ▶ $\Phi 6 \times \Phi 4$, N4
- ▶ 1/4"($\times 5/32$ ")

SAH □ - 8 TF - □□ - □ - □1□ - □



底面取付 (Bottom mounting)

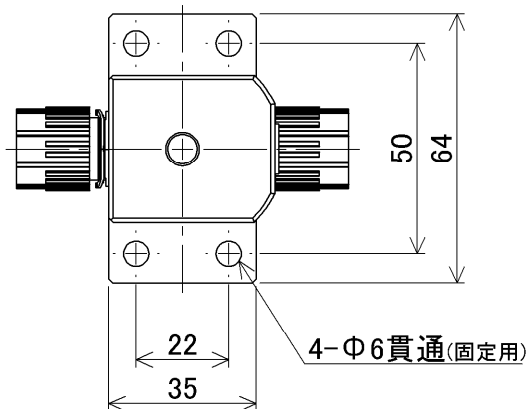


| 连接方式 (Connection method) | A | B | C |
|-----------------------------|------|----|----|
| Flowell 20series | 69 | 16 | 73 |
| Flowell 80series | 75 | 18 | 75 |
| Pillar Super fitting | 74 | 18 | 75 |
| Pillar Super 300 | 73 | 18 | 75 |
| Kurabo Final lock | 76 | 18 | 75 |
| Kurabo K-Fitter | 75 | 18 | 75 |
| Bueno Fit-One | 82 | 18 | 75 |
| Nano Link system | 57.4 | 18 | 75 |
| Tube Type | 69 | 16 | 73 |

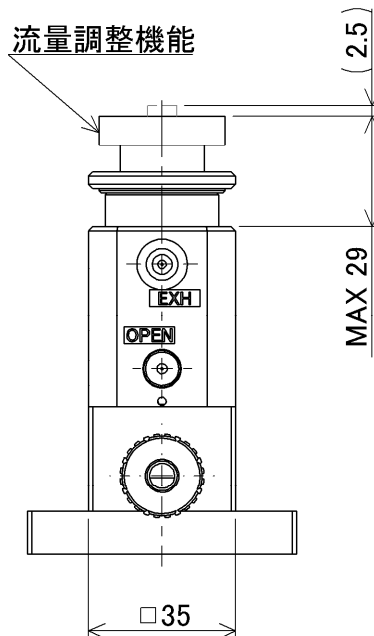
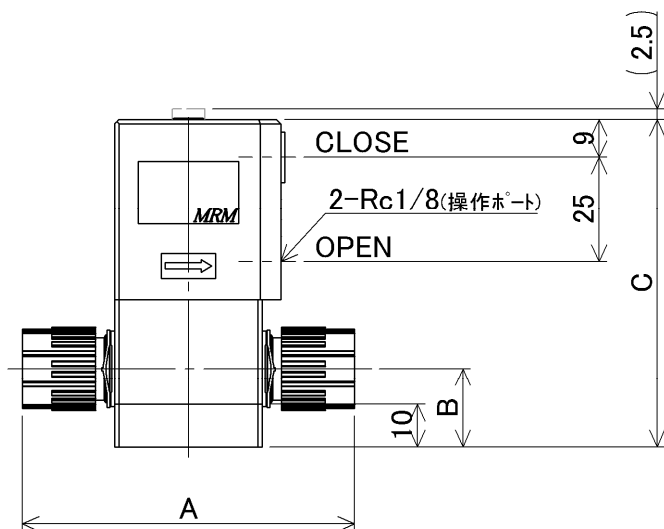
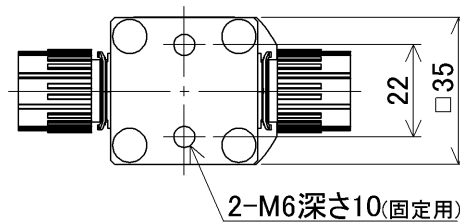
尺寸 (Dimensions)

▶ $\Phi 8 \times \Phi 6$, N6

SAH □ - 8 TF 6 - □□ - □ - □1□ - □



底面取付 (Bottom mounting)



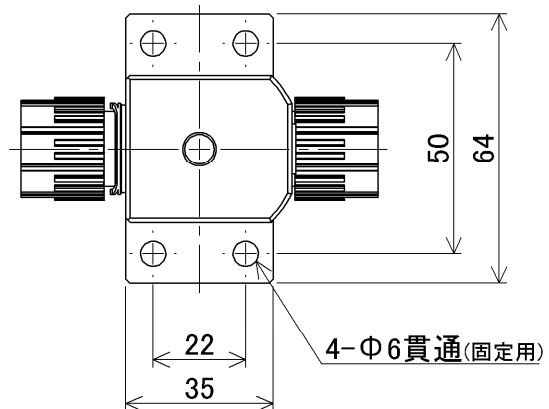
| 连接方式 (Connection method) | A | B | C |
|-----------------------------|------|------|----|
| Flowell 20series | 71 | 17 | 75 |
| Pillar Super 300 | 79 | 18.5 | 78 |
| Bueno Fit-One | 90.4 | 22 | 83 |
| Nano Link system | 65.2 | 22 | 83 |
| Tube Type | 71 | 16 | 73 |

| | | | | | | | | |
|-----|--------------------------------|--|------|--------------|-------------------|--------------|-------|-------|
| PFA | Flare Type Flowell 60series | Pillar Super 300 Pillar Super flare | PTFE | Tube Fitting | PTFE (HI-TEMP) | Tube Fitting | Other | Union |
|-----|--------------------------------|--|------|--------------|-------------------|--------------|-------|-------|

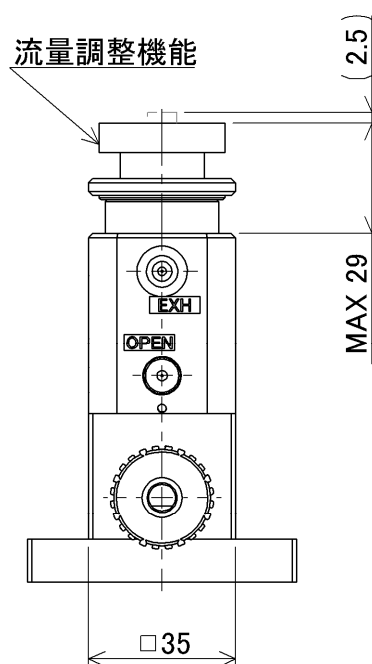
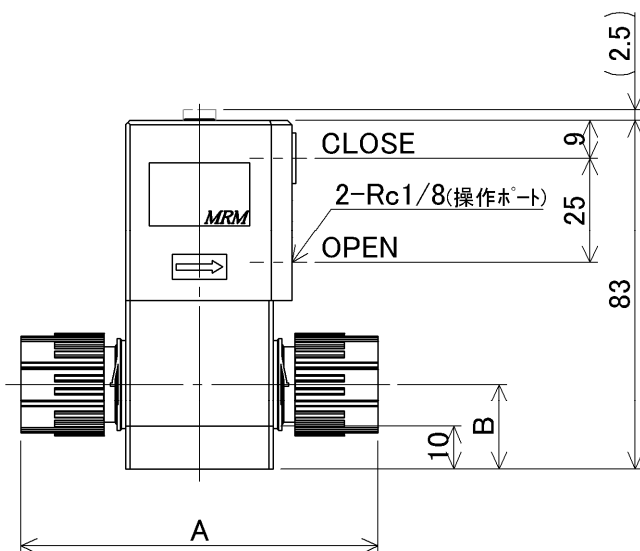
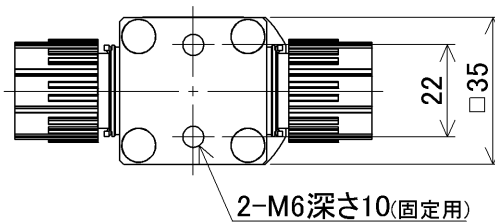
尺寸 (Dimensions)

- ▶ $\Phi 10 \times \Phi 8$, N8
- ▶ $3/8"$ ($\times 1/4"$)

SAH □ - 10 TF - □□ - □ - □1□ - □



底面取付 (Bottom mounting)

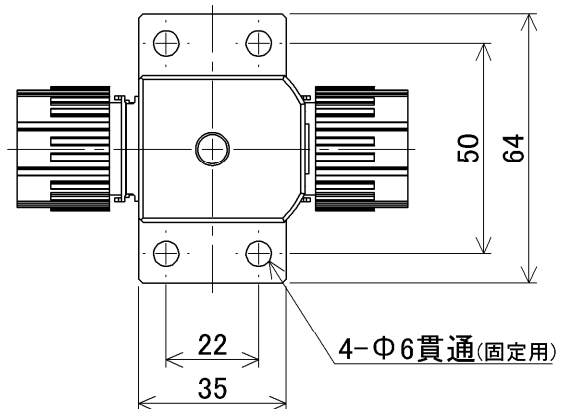


| 连接方式 (Connection method) | A | B |
|-----------------------------|------|----|
| Flowell 20series | 77 | 20 |
| Flowell 20Aseries | 77 | 20 |
| Flowell 80series | 86 | 22 |
| Pillar Super fitting | 88 | 20 |
| Pillar Super 300 | 85 | 20 |
| Kurabo Final lock | 93 | 22 |
| Kurabo K-Fitter | 75 | 20 |
| Bueno Fit-One | 90.4 | 22 |
| Nano Link system | 69.8 | 22 |
| Tube Type | 83 | 20 |

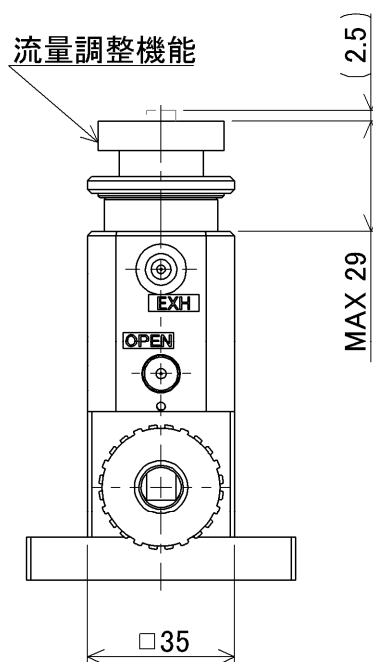
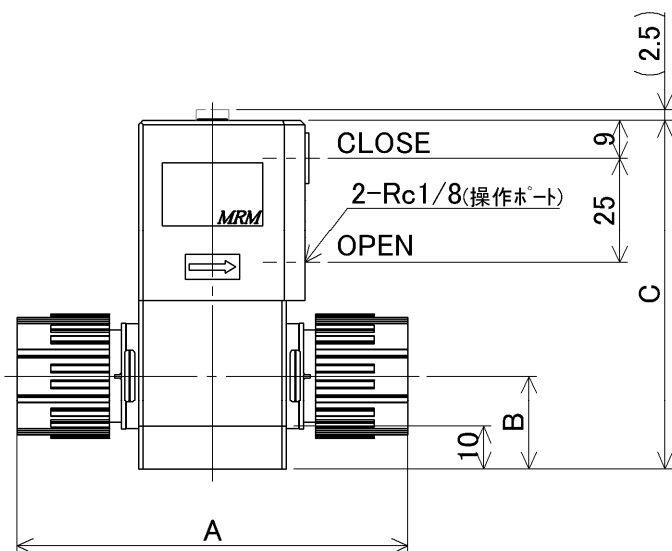
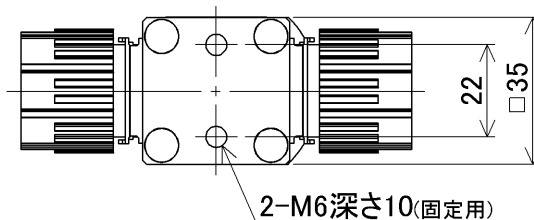
尺寸 (Dimensions)

- ▶ $\Phi 12 \times \Phi 10$, N10
- ▶ 1/2"($\times 3/8$ ")

SAH □ - 15 TF - □□ - □ - □1□ - □



底面取付 (Bottom mounting)



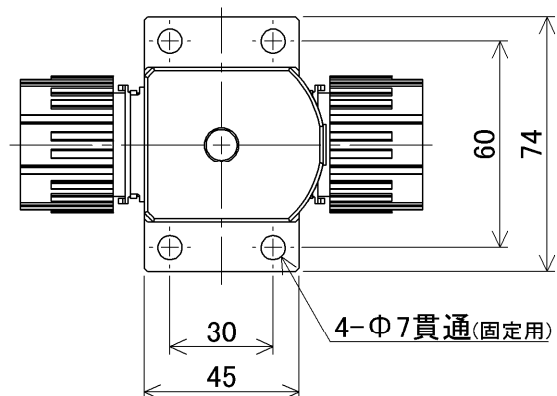
| 连接方式 (Connection method) | A | B | C |
|-----------------------------|------|----|----|
| Flowell 20series | 85 | 20 | 83 |
| Flowell 20Aseries | 85 | 20 | 83 |
| Flowell 80series | 93 | 24 | 85 |
| Pillar Super fitting | 95 | 22 | 83 |
| Pillar Super 300 | 93 | 22 | 83 |
| Kurabo Final lock | 95 | 22 | 83 |
| Kurabo K-Fitter | 81 | 20 | 83 |
| Bueno Fit-One | 99 | 22 | 83 |
| Nano Link system | 72.2 | 24 | 85 |
| Tube Type | 85 | 20 | 83 |

| | | | | | | | | |
|-----|--------------------------------|--|------|--------------|-------------------|--------------|-------|-------|
| PFA | Flare Type Flowell 60series | Pillar Super 300 Pillar Super flare | PTFE | Tube Fitting | PTFE (HI-TEMP) | Tube Fitting | Other | Union |
|-----|--------------------------------|--|------|--------------|-------------------|--------------|-------|-------|

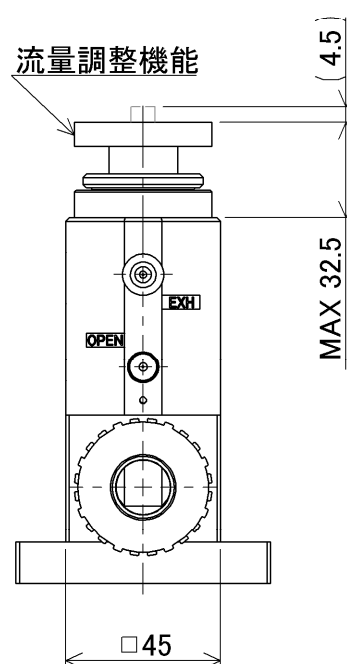
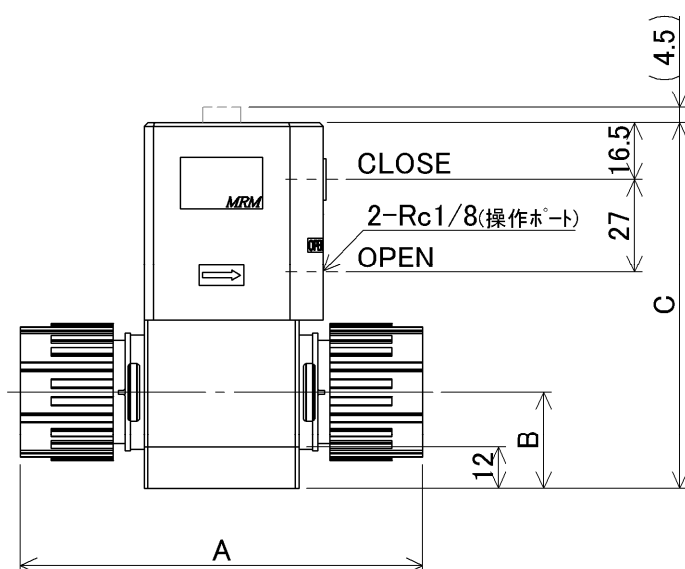
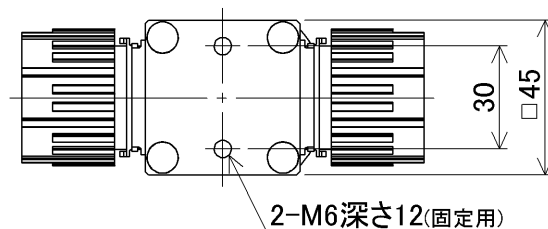
尺寸 (Dimensions)

- ▶ $\Phi 19 \times \Phi 16$, N16
- ▶ $3/4"$ ($\times 5/8"$)

SAH □ - 20 TF - □□ - □ - □1□ - □



底面取付 (Bottom mounting)

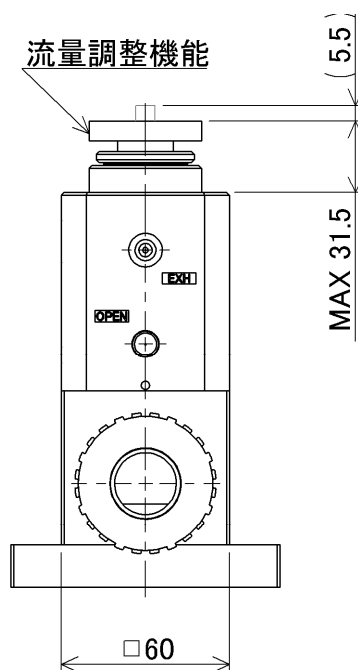
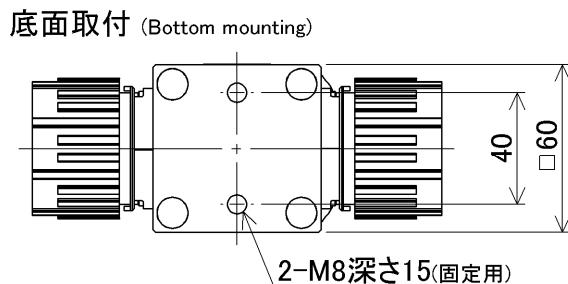
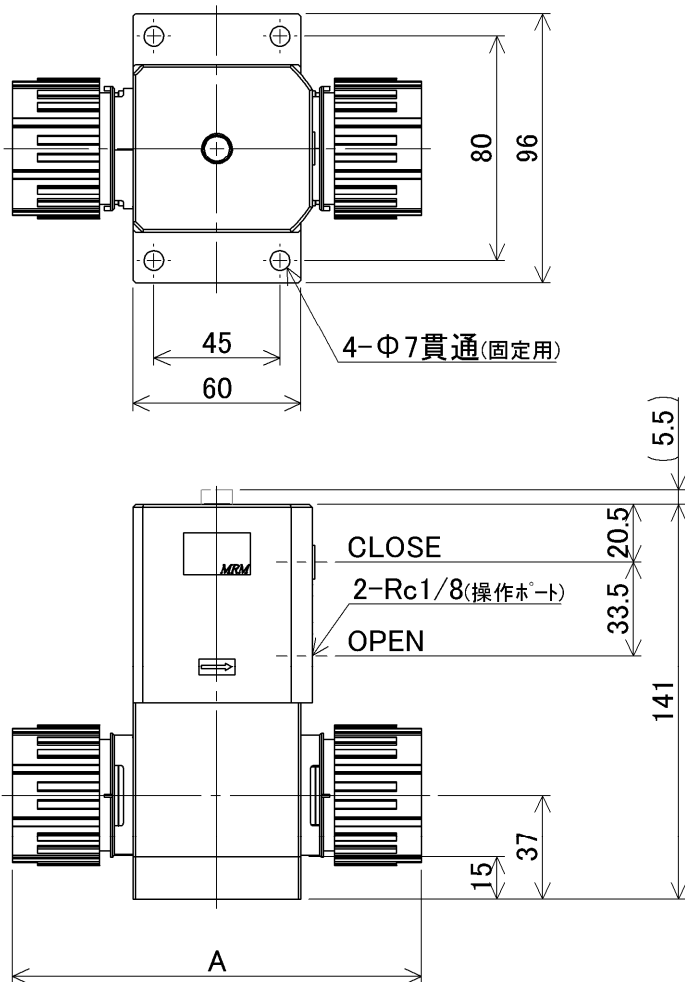


| 连接方式 (Connection method) | A | B | C |
|-----------------------------|------|----|-------|
| Flowell 20series | 107 | 28 | 109.5 |
| Flowell 20Aseries | 107 | 28 | 109.5 |
| Flowell 80series | 118 | 28 | 109.5 |
| Pillar Super fitting | 124 | 28 | 109.5 |
| Pillar Super 300 | 117 | 28 | 109.5 |
| Kurabo Final lock | 114 | 28 | 109.5 |
| Kurabo K-Fitter | 99 | 28 | 109.5 |
| Bueno Fit-One | 127 | 28 | 109.5 |
| Nano Link system | 90.6 | 30 | 111.5 |
| Tube Type | 105 | 28 | 109.5 |

尺寸 (Dimensions)

- ▶ $\Phi 25 \times \Phi 22$, N22
- ▶ 1" ($\times 7/8$ ")

SAH □ - 25 TF - □□ - □ - □1□ - □



| 连接方式 (Connection method) | A |
|-----------------------------|-------|
| Flowell 20series | 144 |
| Flowell 20Aseries | 144 |
| Flowell 80series | 138 |
| Pillar Super fitting | 150 |
| Pillar Super 300 | 146 |
| Kurabo Final lock | 139 |
| Kurabo K-Fitter | 122 |
| Bueno Fit-One | 156 |
| Nano Link system | 110.4 |
| Tube Type | 140 |

| |
|--|
| PFA |
| Flare Type Flowell 60series |
| Pillar Super 300 Pillar Super flare |
| PTFE |
| Tube Fitting |
| PTFE (HI-TEMP) |
| Tube Fitting |
| Other |
| Union |