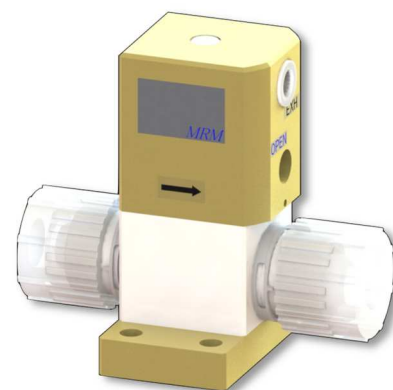


氣動閥(Air-Operated Valves)

- 可對應各種連接方式。
- 接流體部全部都是氟化乙烯樹脂。
- 低粉塵清理(高面粗度加工、精密洗淨、平面構造)。
- MRM獨自的安全構造(高壓對策、及熱循環對策)。



型番表示方法 (How to order)

SAH □ - □ TF - □ □ - □ - □ □ □ - □

↓ ↓ ↓ ↓ ↓ ↓ ↓ ↓ ↓ ↓

① ② ③ ④ ⑤ ⑥ ⑦ ⑧ ⑨

型番選擇例子 (Model Number Selection example)

SAH2-15TF-SB-1-E1B

: NC, 1/2" (×3/8"), Pillar Super 300, Water-saving, EPDM, Bottom mounting

① 動作方式 (Operation method)

2	NC (Normal Close)
9	NO (Normal Open)

◎ : 標準在庫品 (Standard stock)
○ : 受注生産品 (Made to order)
— : 無在庫 (Not stock)

② 閥門尺寸 (Valve size)

		8	8TF6 ※1	10	15	20	25
mm		Φ6×Φ4, N4	Φ8×Φ6, N6	Φ10×Φ8, N8	Φ12×Φ10, N10	Φ19×Φ16, N16	Φ25×Φ22, N22
inch		1/4" (×5/32")		3/8" (×1/4")	1/2" (×3/8")	3/4" (×5/8")	1" (×7/8")

③ 接續方式 (Connection method)

		mm	inch	mm	inch	mm	inch	mm	inch	mm	inch	mm	inch
F	Flowell 20series	○	○ ※2	○	—	○	○	○	○	○	○	○	○
FA	Flowell 20Aseries	—	—	—	—	○	○	○	○	○	○	○	○
H	Flowell 80series	○	○	—	—	○	○	○	○	○	○	○	○
P	Pillar Super fitting	○	○	—	—	○	○	○	○	○	○	○	○
S	Pillar Super 300	◎	◎	○	—	◎	◎	◎	◎	◎	◎	◎	◎
K	Kurabo Final lock	○	○	—	—	○	○	○	○	○	○	○	○
C	Kurabo K-Fitter	○	○	—	—	○	○	○	○	○	○	○	○
B	Bueno Fit-One	○	○	○	—	○	○	○	○	○	○	○	○
NL	Yodogawa Nano Link system	○ ※3	—	○ ※3	—	○ ※3	—	○ ※3	—	○ ※3	—	○ ※3	—
T	Tube Type	○	○	○	—	○	○	○	○	○	○	○	○

④ 管道規格 (Tube Standard)

A	mm
B	inch

⑤ 付加機能 (Additional function)

0	ON/OFF
1	流量調整機能 (Flow adjustment)

⑥ O-Ring ※4

(No sign)	FKM
V	DAI-EL G902
E	EPDM

注記 (Note)

※1 : "TF"前後請記入"8"與"6"。

※2 : 配管尺寸為1/4" (×Φ4.3)。

※3 : 管道規格并不記載, 只以NL記載。(例) N4 : 8TF-NL

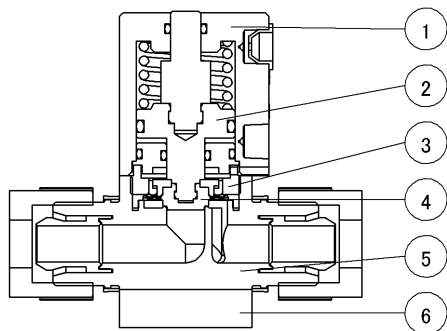
※4 : 雖不接觸流體, 但有腐蝕性高的流體時請選擇。

⑦ 執行器方向 (Direction of actuator)	
1	
2	
3	
4	

⑧ 固定 (Mounting)	
(No sign)	法蘭固定 (Flange mounting)
B	底面固定 (Bottom mounting)

⑨ 螺母塗層 (Bolt coating) ※1	
(No sign)	無塗層 (Not coated)
Y	有塗層 (Coated)

內部構造 (Internal structure)



品番 (No)	部品名 (Parts name)	材質 (Material)
①	外殼 (Case)	PPS
②	活塞 (Piston)	PPS
③	填料式旋塞閥 (Stuffing)	PPS
④	薄膜 (Diaphragm)	PTFE
⑤	本體 (Body)	PTFE
⑥	底座 (Base)	PPS

規格 (Specifications)

使用流體 (Fluid)	化學品・純水・氣體 (Chemical liquid, DIW, Gas) ※2					
流體溫度 (Fluid temperature range)	10~180°C					
大氣溫度 (Atmospheric temperature)	0~60°C					
液體流動部分的材質 (Materials of liquid flowed parts)	本體 (Body)	: PTFE				
	薄膜 (Diaphragm)	: PTFE				
操作方式 (Operating system)	單動 (Spring return actuation)					
氣壓壓力 (Pneumatic supply pressure)	0.3~0.6MPa					
閥門尺寸 (Valve size)	8 (1/4")	8TF6	10 (3/8")	15 (1/2")	20 (3/4")	25 (1")
通氣孔 (Orifice)	Φ7	Φ7	Φ8	Φ10	Φ16	Φ22
流體壓力 (Fluid pressure range)						
0.3MPa規格 (0.3MPa specification)	IN→OUT	0~0.3MPa				
	背壓 (Back pressure)	0~0.3MPa			0~0.2MPa	0~0.1MPa

注記 (Note)

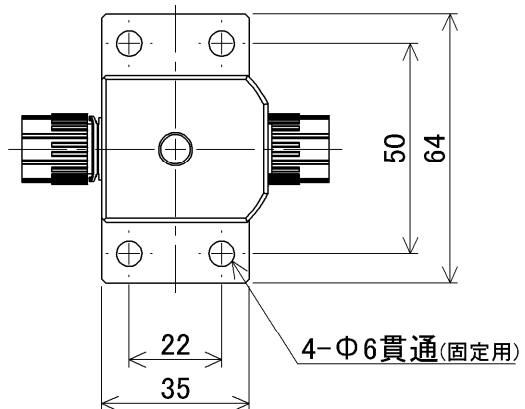
- ※1: 雖不接觸液體, 但有腐蝕性高的液體時請選擇。
 ※2: 氣體在最大で1cm³/min時, 有發生閥底泄露之可能性。

PFA	Flare Type Flowell 60series
PTFE	Pillar Super 300 Pillar Super flare
PTFE (HI-TEMP)	Tube Fittings
Tube Fittings	Other
Union	

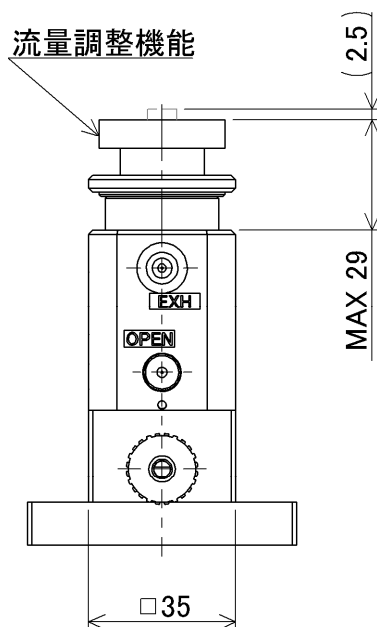
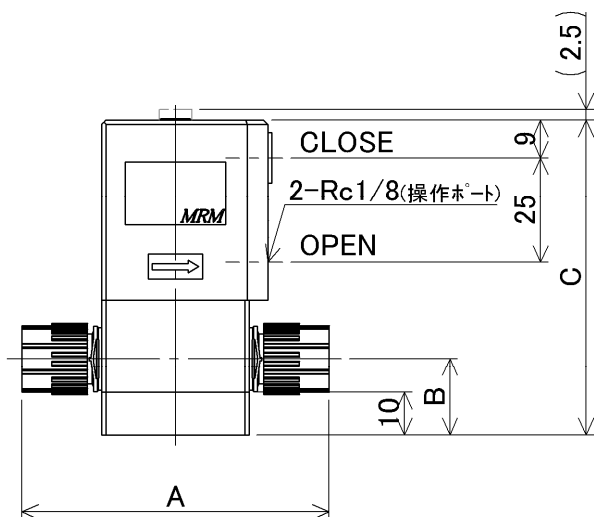
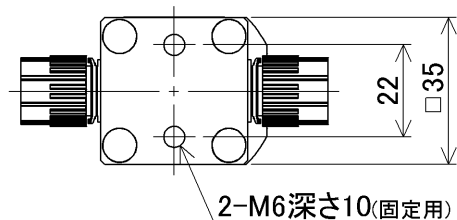
尺寸 (Dimensions)

- ▶ $\Phi 6 \times \Phi 4$, N4
- ▶ 1/4" ($\times 5/32$ ")

SAH □ - 8 TF - □□ - □ - □1□ - □



底面取付 (Bottom mounting)

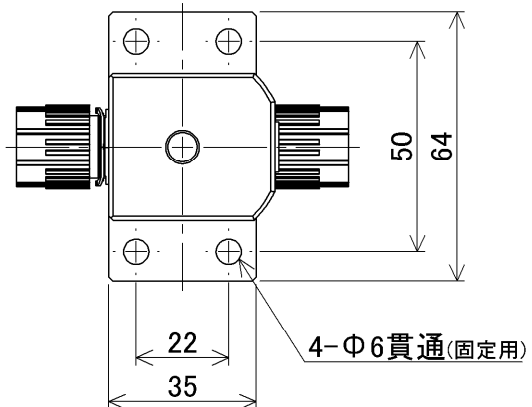


接續方式 (Connection method)	A	B	C
Flowell 20series	69	16	73
Flowell 80series	75	18	75
Pillar Super fitting	74	18	75
Pillar Super 300	73	18	75
Kurabo Final lock	76	18	75
Kurabo K-Fitter	75	18	75
Bueno Fit-One	82	18	75
Nano Link system	57.4	18	75
Tube Type	69	16	73

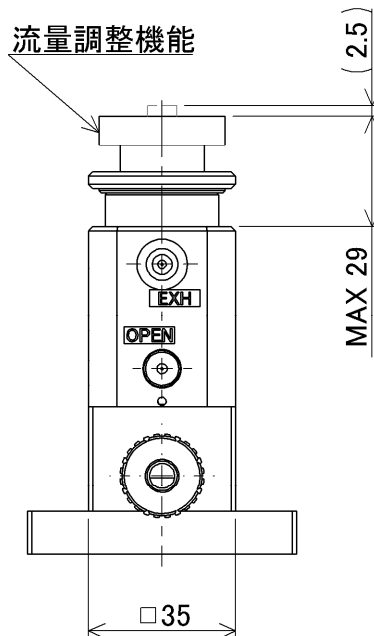
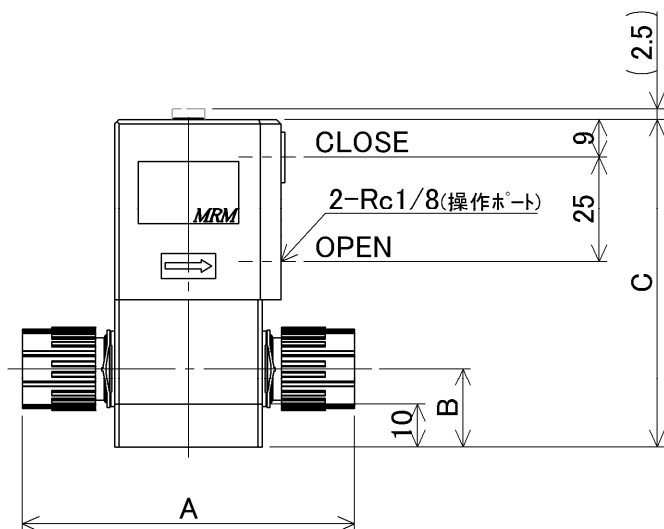
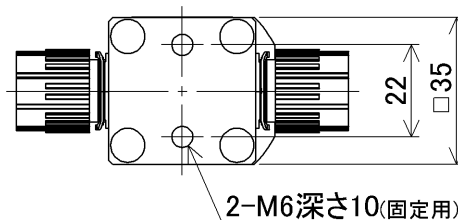
尺寸 (Dimensions)

▶ $\Phi 8 \times \Phi 6$, N6

SAH □ - 8 TF 6 - □□ - □ - □1□ - □



底面取付 (Bottom mounting)



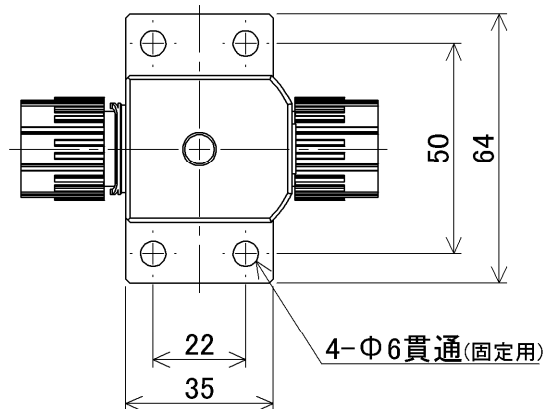
接續方式 (Connection method)	A	B	C
Flowell 20series	71	17	75
Pillar Super 300	79	18.5	78
Bueno Fit-One	90.4	22	83
Nano Link system	65.2	22	83
Tube Type	71	16	73

PFA	Flare Type Flowell 60series	Pillar Super 300 Pillar Super flare	PTFE	Tube Fitting	PTFE (HI-TEMP)	Tube Fitting	Other	Union
-----	--------------------------------	--	------	--------------	-------------------	--------------	-------	-------

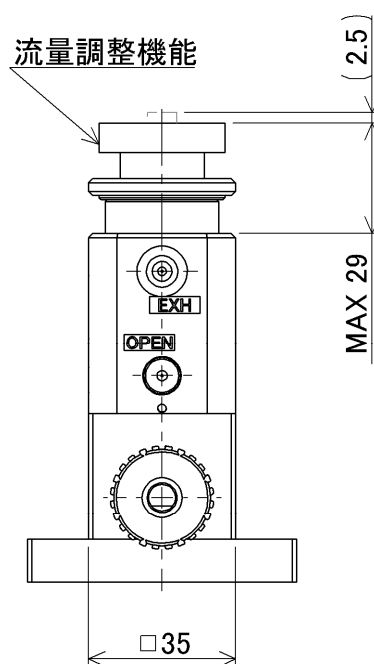
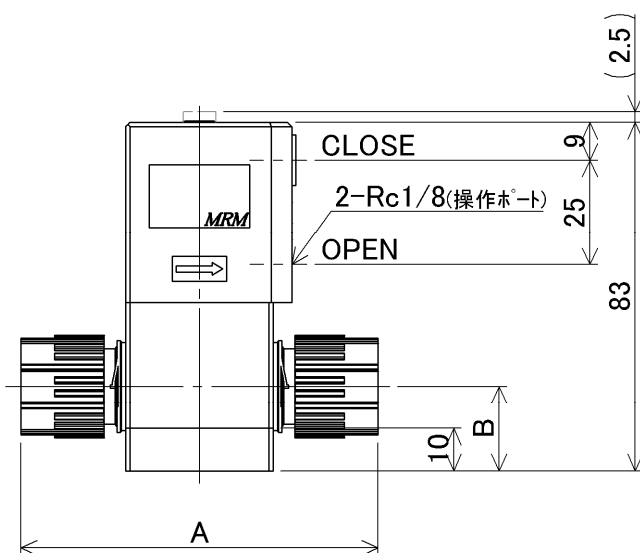
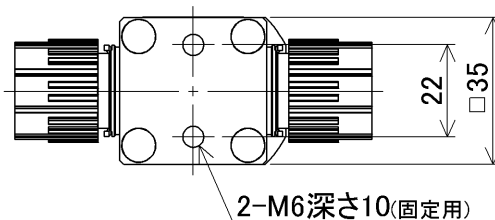
尺寸 (Dimensions)

- ▶ $\Phi 10 \times \Phi 8$, N8
- ▶ 3/8"($\times 1/4$ "

SAH □ - 10 TF - □□ - □ - □1□ - □



底面取付 (Bottom mounting)

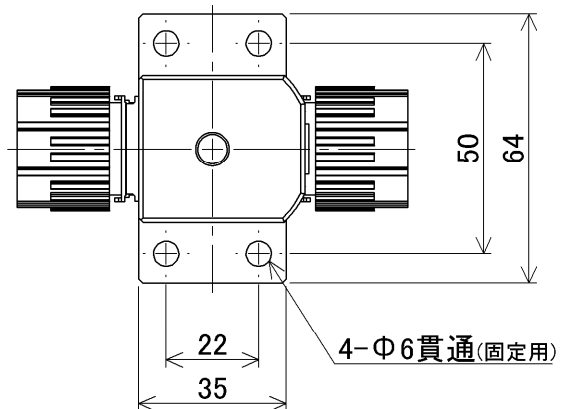


接続方式 (Connection method)	A	B
Flowell 20series	77	20
Flowell 20Aseries	77	20
Flowell 80series	86	22
Pillar Super fitting	88	20
Pillar Super 300	85	20
Kurabo Final lock	93	22
Kurabo K-Fitter	75	20
Bueno Fit-One	90.4	22
Nano Link system	69.8	22
Tube Type	83	20

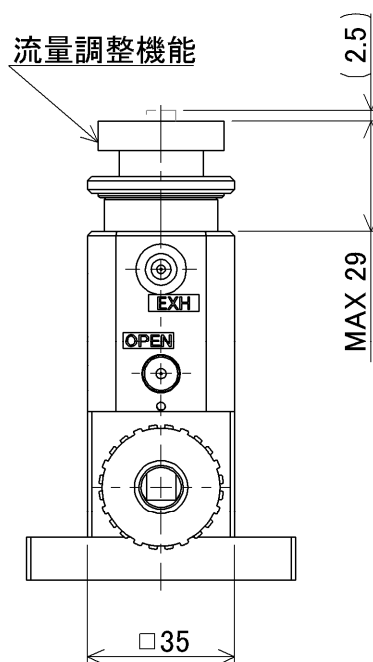
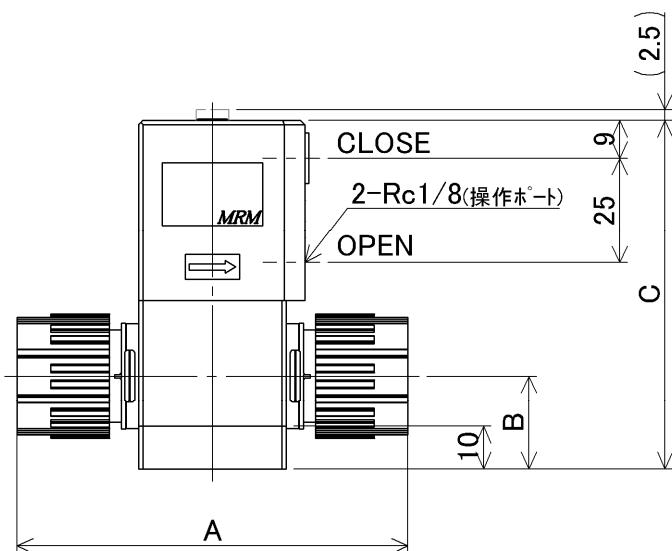
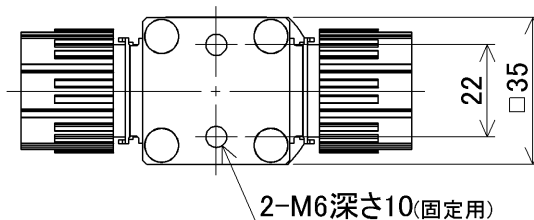
尺寸 (Dimensions)

- ▶ $\Phi 12 \times \Phi 10$, N10
- ▶ 1/2" ($\times 3/8$ ")

SAH □ - 15 TF - □□ - □ - □1□ - □



底面取付 (Bottom mounting)



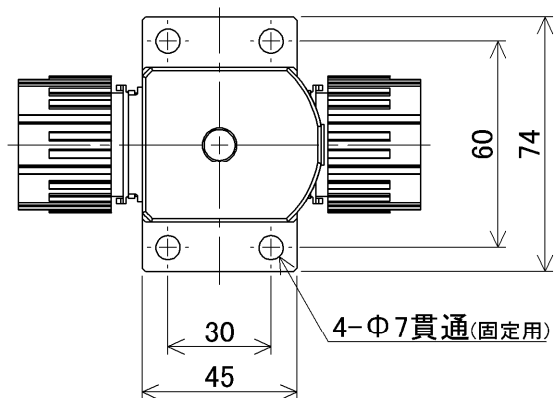
接續方式 (Connection method)	A	B	C
Flowell 20series	85	20	83
Flowell 20Aseries	85	20	83
Flowell 80series	93	24	85
Pillar Super fitting	95	22	83
Pillar Super 300	93	22	83
Kurabo Final lock	95	22	83
Kurabo K-Fitter	81	20	83
Bueno Fit-One	99	22	83
Nano Link system	72.2	24	85
Tube Type	85	20	83

PFA	Flare Type Flowell 60series	Pillar Super 300 Pillar Super flare	PTFE	Tube Fitting	PTFE (HI-TEMP)	Tube Fitting	Other	Union
-----	--------------------------------	--	------	--------------	-------------------	--------------	-------	-------

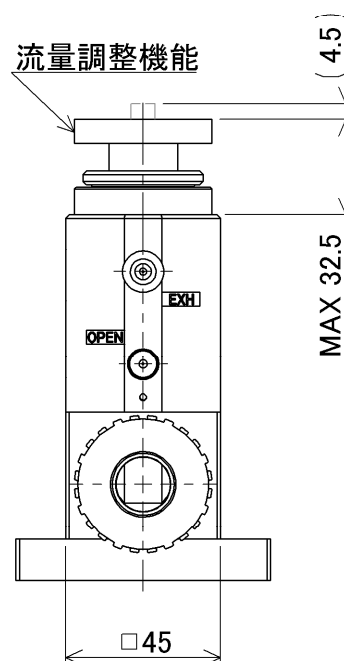
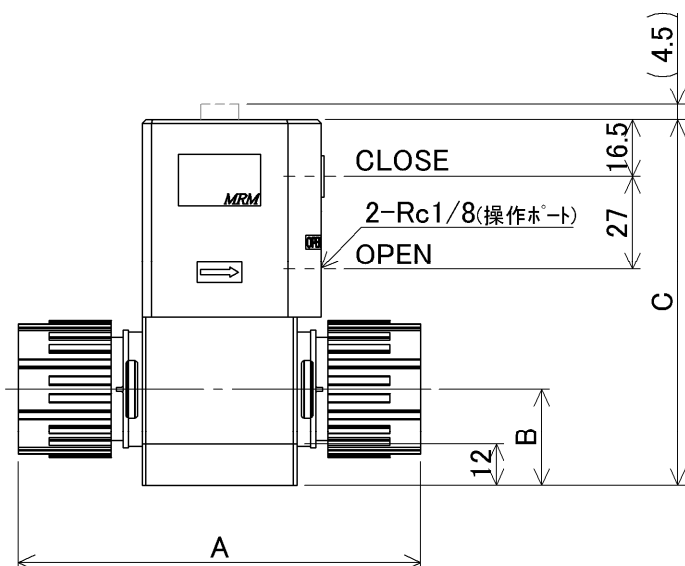
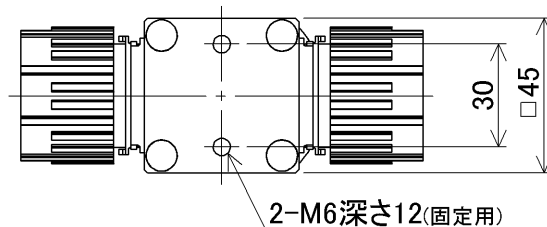
尺寸 (Dimensions)

- ▶ $\Phi 19 \times \Phi 16$, N16
- ▶ $3/4"$ ($\times 5/8"$)

SAH □ - 20 TF - □□ - □ - □1□ - □



底面取付 (Bottom mounting)

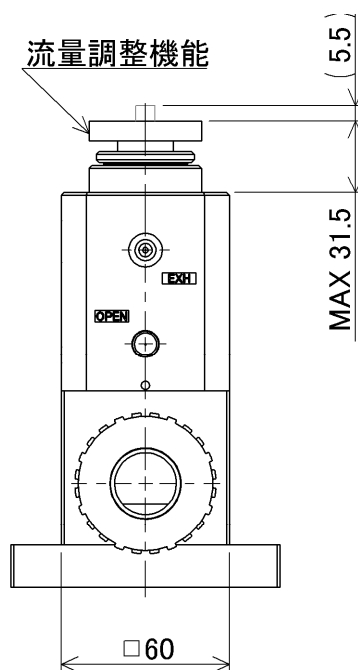
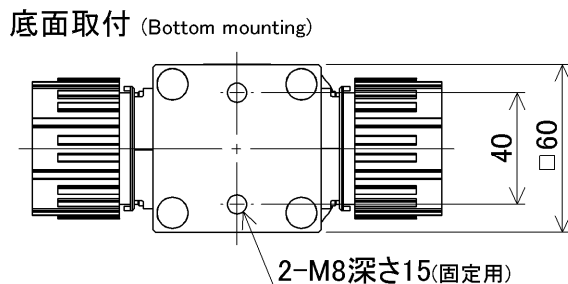
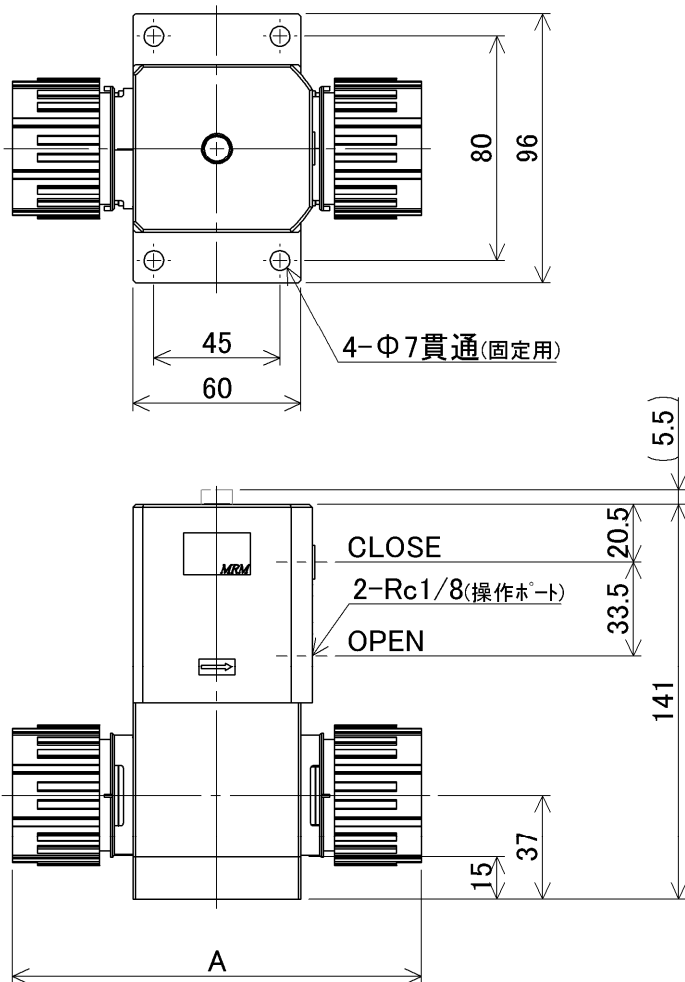


接續方式 (Connection method)	A	B	C
Flowell 20series	107	28	109.5
Flowell 20Aseries	107	28	109.5
Flowell 80series	118	28	109.5
Pillar Super fitting	124	28	109.5
Pillar Super 300	117	28	109.5
Kurabo Final lock	114	28	109.5
Kurabo K-Fitter	99	28	109.5
Bueno Fit-One	127	28	109.5
Nano Link system	90.6	30	111.5
Tube Type	105	28	109.5

尺寸 (Dimensions)

- ▶ $\Phi 25 \times \Phi 22$, N22
- ▶ 1" ($\times 7/8$ ")

SAH □ - 25 TF - □□ - □ - □1□ - □



接續方式 (Connection method)	A
Flowell 20series	144
Flowell 20Aseries	144
Flowell 80series	138
Pillar Super fitting	150
Pillar Super 300	146
Kurabo Final lock	139
Kurabo K-Fitter	122
Bueno Fit-One	156
Nano Link system	110.4
Tube Type	140

PFA
Flare Type Flowell 60series
Pillar Super 300 Pillar Super flare
PTFE
Tube Fitting
PTFE (HI-TEMP)
Tube Fitting
Other
Union