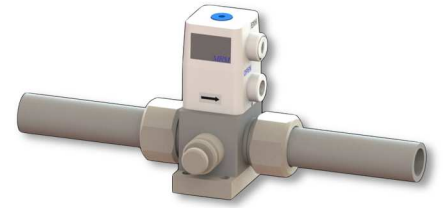
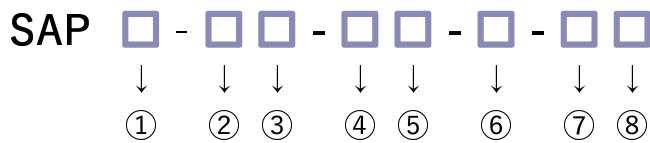


## 气动阀 (Air-Operated Valves)

- 活接头连接。
- 本体可选材质(PTFE/PVC/CPVC/PP)。
- 超低粉尘清理(表面粗糙度加工、精密洗净、平面构造)。
- MRM独自的安全构造(高压对策及热循环对策)。



### 型番表示方法 (How to order)



型号选定例 (Model Number Selection example)

SAP2-15PV-UA1-7-1B

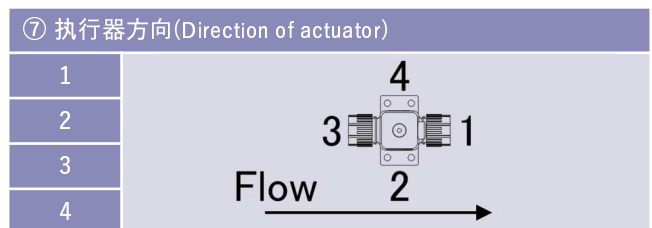
: NC, 16A, PVC Body, PVC Union, FKM O-ring, Bypass, Bottom mounting

| ① 制动方式 (Operation method) |                   |
|---------------------------|-------------------|
| 2                         | NC (Normal Close) |
| 9                         | NO (Normal Open)  |

◎ : 标准在庫品 (Standard stock)  
 ○ : 受注生産品 (Made to order)  
 - : 无在庫 (Not stock)

| ② 阀门尺寸 (Valve size)    |      | 15  | 20  | 25  |
|------------------------|------|-----|-----|-----|
|                        |      | 16A | 20A | 25A |
| ③ 本体材质 (Body material) |      |     |     |     |
| TF                     | PTFE | ○   | ○   | ○   |
| PV                     | PVC  | ◎   | ◎   | ○   |
| CV                     | CPVC | ○   | ○   | ○   |
| PP                     | PP   | ○   | ○   | ○   |

| ④ 活接头材质 (Union material) |            |
|--------------------------|------------|
| UA                       | PVC Union  |
| UB                       | CPVC Union |

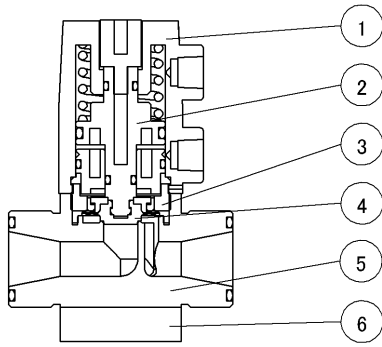


| ⑤ O-ring |             |
|----------|-------------|
| 1        | FKM         |
| 2        | EPDM        |
| 5        | DAI-EL G902 |

| ⑧ 固定 (Mounting) |                        |
|-----------------|------------------------|
| (No sign)       | 法兰固定 (Flange mounting) |
| B               | 底面固定 (Bottom mounting) |

| ⑥ 附加功能 (Additional function) |                                      |
|------------------------------|--------------------------------------|
| 7                            | 节水功能 (Bypass)                        |
| 8                            | 流量调整+节水功能 (Flow adjustment + Bypass) |

## 内部构造 (Internal structure)



| 品号 (No) | 零件名 (Parts name)  | 材质 (Material) |
|---------|-------------------|---------------|
| ①       | 外壳 (Case)         | PP            |
| ②       | 活塞 (Piston)       | PP            |
| ③       | 填料式旋塞阀 (Stuffing) | PP            |
| ④       | 薄膜 (Diaphragm)    | PTFE          |
| ⑤       | 本体 (Body)         | 可任选           |
| ⑥       | 底座 (Base)         | PP            |

## 规格 (Specifications)

|  |  |           |  |
|--|--|-----------|--|
| 使用流体 (Fluid)                                 | 化学品·纯水·气体 (Chemical liquid, DIW, Gas) ※1 |           |  |
| 流体温度 (Fluid temperature range) ※2            | PVC                                      | : 10~40°C |  |
|  | PTFE/CPVC/PP                             | : 10~80°C |  |
| 大气温度 (Atmospheric temperature)               | 0~40°C                                   |           |  |
| 液体流动部分的材质 (Materials of liquid flowed parts) | 本体 (Body)                                | : 可任选     |  |
|  | 薄膜 (Diaphragm)                           | : PTFE    |  |
| 操作方式 (Operating system)                      | 单动式 (Spring return actuation)            |           |  |
| 气压压力 (Pneumatic supply pressure)             | 0.3~0.6MPa                               |           |  |

|                                    |                    |          |          |
|------------------------------------|--------------------|----------|----------|
| 阀门尺寸 (Valve size)                  | 15 (16A)           | 20 (20A) | 25 (25A) |
| 流通孔 (Orifice)                      | Φ10                | Φ16      | Φ22      |
| 流体压力 (Fluid pressure range)        |                    |          |          |
| 0.3MPa规格<br>(0.3MPa specification) | IN→OUT             | 0~0.3MPa |          |
|                                    | 背压 (Back pressure) | 0~0.3MPa | 0~0.2MPa |

|  |
|--|
| PFA                                    |
| Flare Type<br>Flowell 60series         |
| Pillar Super 300<br>Pillar Super flare |
| PTFE                                   |
| Tube Fitting                           |
| PTFE<br>(HI-TEMP)                      |
| Tube Fitting                           |
| Other                                  |
| Union                                  |

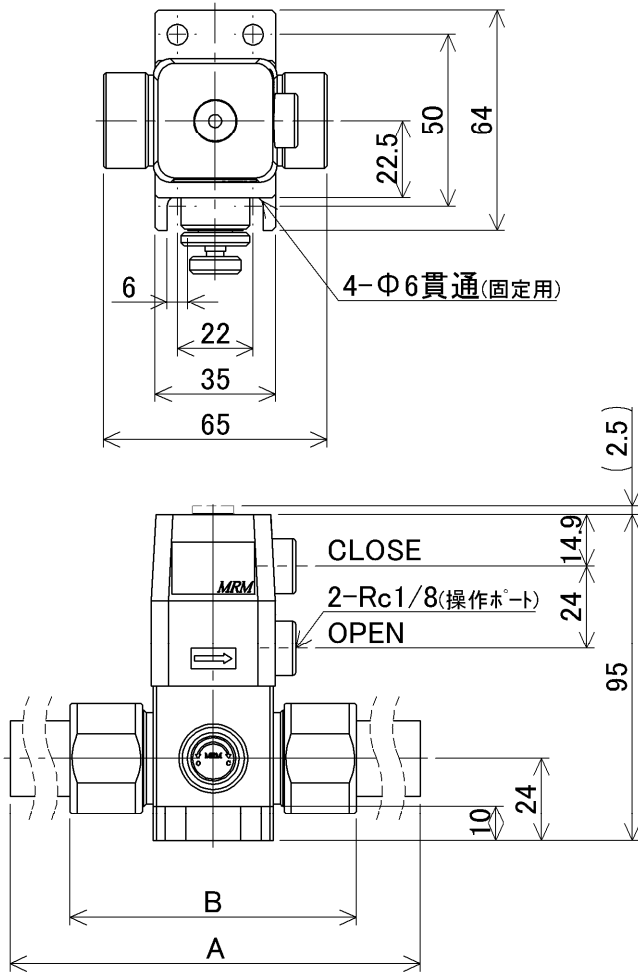
### 注释 (Note)

※1: 气体在最大1cm<sup>3</sup>/min的时候, 有可能会发生阀底座泄露。  
 ※2: 本体的材质, 根据活接头的选择可能会发生不同。

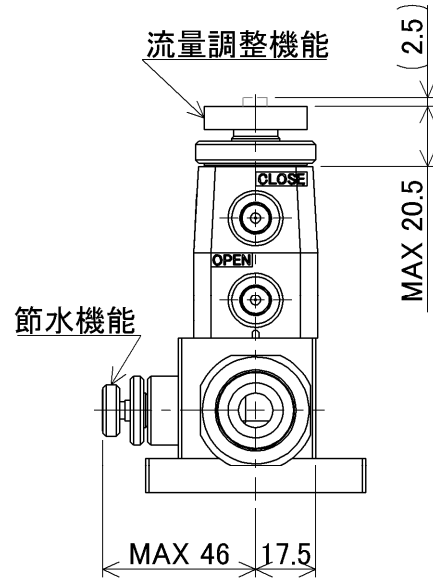
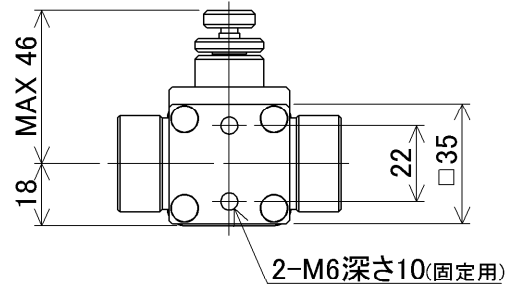
尺寸 (Dimensions)

▶ 16A

SAP □ - 15 □ - □ □ - □ - 1 □



底面取付 (Bottom mounting)



| 活接头材质<br>(Union material) | A       | B    |
|---------------------------|---------|------|
| PVC Union                 | (233.2) | 83.2 |
| CPVC Union                | 235     | 86   |

追加采购用配管部品表 (Piping parts list for additional purchase)

| 件套 (SET) ※1      | 活接头 (Union) | O-ring      |              | 螺母 (Nut)        |
|------------------|-------------|-------------|--------------|-----------------|
|                  |             |             |              |                 |
| A016U001-1-1-SET | PVC Union   | FKM         | <u>P18</u>   | <u>A016N001</u> |
| A016U001-1-2-SET |             | EPDM        | <u>P18-E</u> |                 |
| A016U001-1-5-SET |             | DAI-EL G902 | <u>P18-D</u> |                 |
| A016U001-2-1-SET | CPVC Union  | FKM         | <u>P18</u>   |                 |
| A016U001-2-2-SET |             | EPDM        | <u>P18-E</u> |                 |
| A016U001-2-5-SET |             | DAI-EL G902 | <u>P18-D</u> |                 |

注释 (Note)

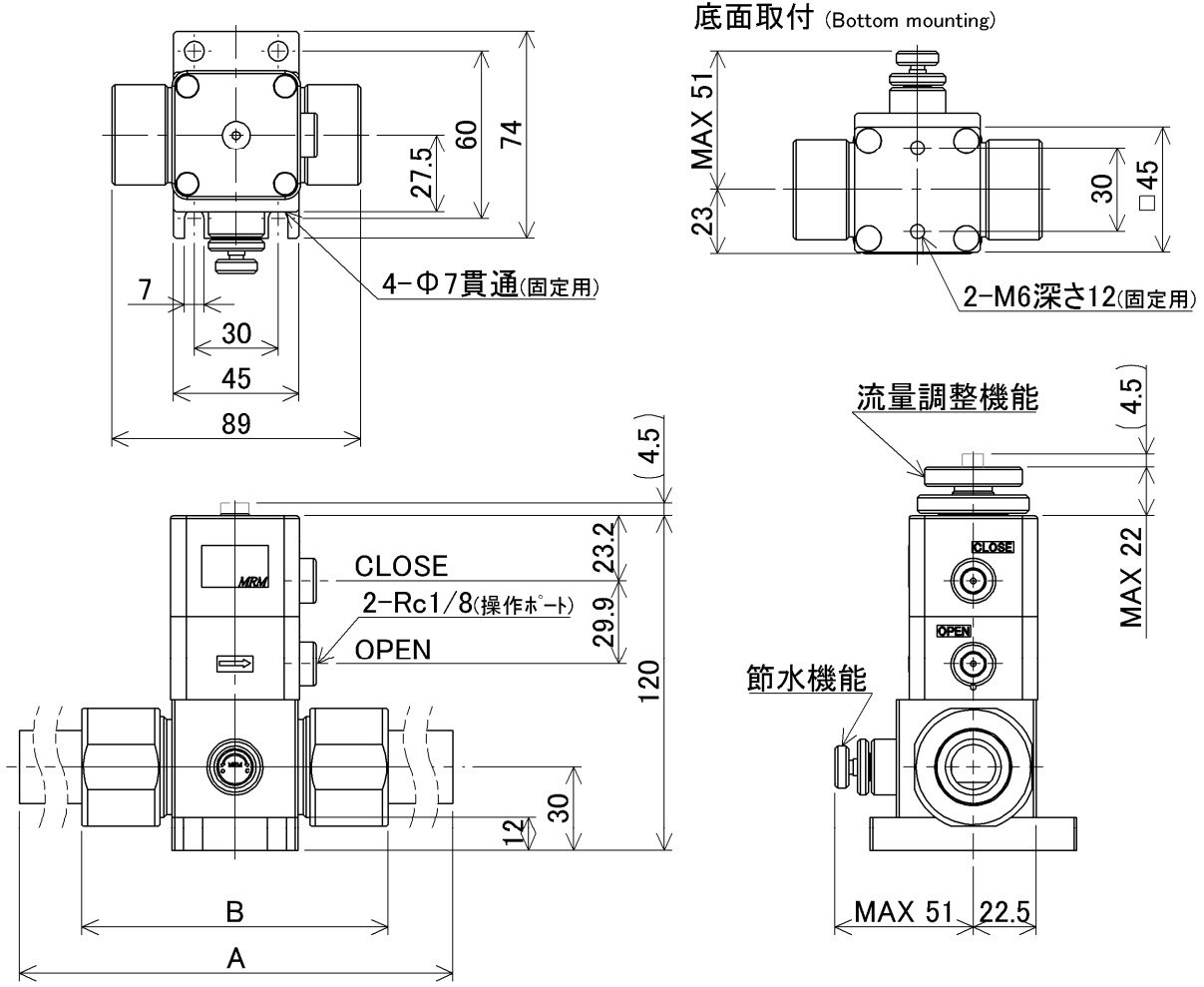
A53

※1:件套当中, 活接头、O-ring、螺母各包含一个。

尺寸 (Dimensions)

▶ 20A

SAP □ - 20 □ - □ □ - □ - 1 □



| 活接头材质<br>(Union material) | A       | B     |
|---------------------------|---------|-------|
| PVC Union                 | (267.6) | 109.6 |
| CPVC Union                | 269     | 110   |

追加采购用配管部品表 (Piping parts list for additional purchase)

| 件套 (SET) ※1      | 活接头 (Union)                     | O-ring      |              | 螺母 (Nut)        |
|------------------|---------------------------------|-------------|--------------|-----------------|
|                  |                                 |             |              |                 |
| A020U001-1-1-SET | PVC Union<br><u>A020U001-1</u>  | FKM         | <u>P22</u>   | <u>A020N001</u> |
| A020U001-1-2-SET |                                 | EPDM        | <u>P22-E</u> |                 |
| A020U001-1-5-SET |                                 | DAI-EL G902 | <u>P22-D</u> |                 |
| A020U001-2-1-SET | CPVC Union<br><u>A020U001-2</u> | FKM         | <u>P22</u>   |                 |
| A020U001-2-2-SET |                                 | EPDM        | <u>P22-E</u> |                 |
| A020U001-2-5-SET |                                 | DAI-EL G902 | <u>P22-D</u> |                 |

注释 (Note)

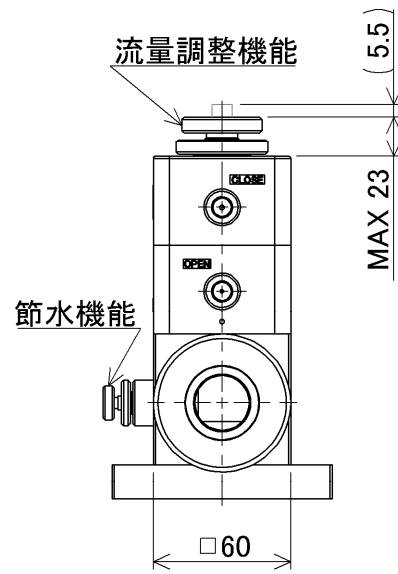
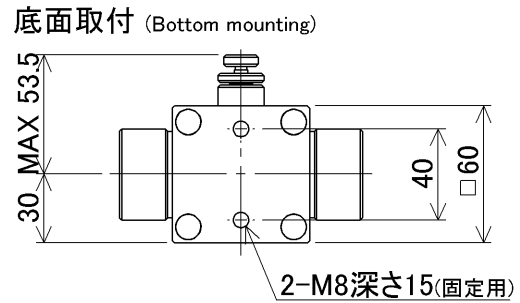
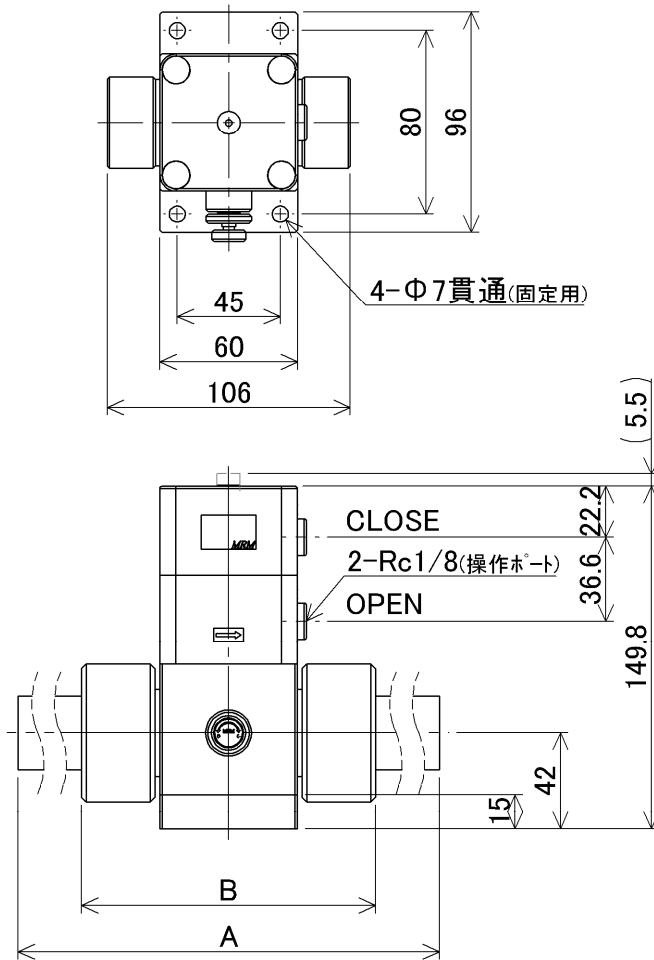
※1: 件套当中, 活接头、O-ring、螺母各包含一个。

|  |
|--|
| PFA                                    |
| Flare Type<br>Flowell 60series         |
| Pillar Super 300<br>Pillar Super flare |
| PTFE                                   |
| Tube Fitting                           |
| PTFE<br>(HI-TEMP)                      |
| Tube Fitting                           |
| Other                                  |
| Union                                  |

尺寸 (Dimensions)

▶ 25A

SAP □ - 25 □ - □ □ - □ - 1 □



| 活接头材质<br>(Union material) | A       | B     |
|---------------------------|---------|-------|
| PVC Union                 | (304.2) | 128.2 |
| CPVC Union                | 296     | 129   |

追加采购用配管部品表 (Piping parts list for additional purchase)

| 件套 (SET) ※1      | 活接头(Union)                      | O-ring      |              | 螺母 (Nut)        |
|------------------|---------------------------------|-------------|--------------|-----------------|
| A025U001-1-1-SET | PVC Union<br><u>A025U001-1</u>  | FKM         | <u>G30</u>   | <u>A025N001</u> |
| A025U001-1-2-SET |                                 | EPDM        | <u>G30-E</u> |                 |
| A025U001-1-5-SET |                                 | DAI-EL G902 | <u>G30-D</u> |                 |
| A025U001-2-1-SET | CPVC Union<br><u>A025U001-2</u> | FKM         | <u>G30</u>   |                 |
| A025U001-2-2-SET |                                 | EPDM        | <u>G30-E</u> |                 |
| A025U001-2-5-SET |                                 | DAI-EL G902 | <u>G30-D</u> |                 |

注記 (Note)

A55

※1:件套当中, 活接头、O-ring、螺母各包含一个。

SAP (Bypass)

|     |                                |  |      |              |                   |              |       |       |
|-----|--------------------------------|--|------|--------------|-------------------|--------------|-------|-------|
| PFA | Flare Type<br>Flowell 60series | Pillar Super 300<br>Pillar Super flare | PTFE | Tube Fitting | PTFE<br>(HI-TEMP) | Tube Fitting | Other | Union |
|-----|--------------------------------|--|------|--------------|-------------------|--------------|-------|-------|