

手动阀 (Manual Valves)

- 可对应Flowell 60series/Flare Type。
- 接流体部全部都是氟化乙烯树脂(PFA/PTFE)，抗腐蚀。
- 超低粉尘清理(表面粗糙度加工、精密洗净、平面构造)。
- MRM独自的安全构造(高压对策及热循环对策)。

型号表示方法 (How to order)

MMV2 - □ F - □ □ - □ - □

↓ ↓ ↓ ↓ ↓
 ① ② ③ ④ ⑤



型号选定例 (Model Number Selection example)

MMV2-15F-XB-B-7K
: 1/2"(×3/8"), Flare Type, Bottom mounting, 0.7MPa specification

◎ : 标准在庫品 (Standard stock)
○ : 受注生産品 (Made to order)
— : 无在庫 (Not stock)

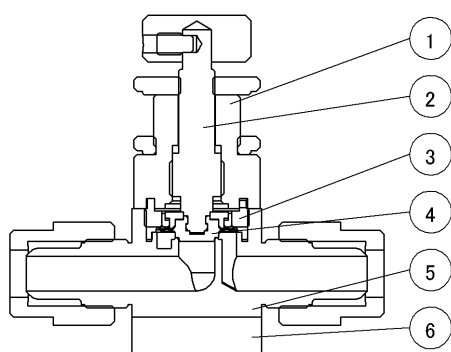
① 制动方式 (Valve size)		10		15		20		25	
	mm	Φ10×Φ8		Φ12×Φ10		Φ19×Φ16		Φ25×Φ22	
	inch	3/8"(×1/4")		1/2"(×3/8")		3/4"(×5/8")		1"(×7/8")	
② 连接方式 (Connection method)		mm	inch	mm	inch	mm	inch	mm	inch
R	Flowell 60series	—	◎	◎	◎	◎	◎	◎	◎
X	Flare Type	—	◎	—	◎	—	◎	—	◎

③ 管道规格 (Tube Standard)	
A	mm
B	inch

⑤ 流体压力 (Fluid pressure range)	
(No sign)	0.5MPa规格 (0.5MPa specification)
7K	0.7MPa规格 (0.7MPa specification)

④ 固定 (Mounting)	
(No sign)	法兰固定 (Flange mounting)
B	底座固定 (Bottom mounting)

内部构造 (Internal structure)



品号 (No)	零件名 (Parts name)	材质 (Material)
①	外壳 (Case)	PP
②	升降件 (Shaft)	PP
③	填料式旋塞阀 (Stuffing)	PP
④	薄膜 (Diaphragm)	PTFE
⑤	本体 (Body)	PFA
⑥	底座 (Base)	PP

规格 (Specifications)

使用流体 (Fluid)	化学品·纯水·气体 (Chemical liquid, DIW, Gas) ※1			
流体温度 (Fluid temperature range)	10~100°C			
大气温度 (Atmospheric temperature)	0~40°C			
液体流动部分的材质 (Materials of liquid flowed parts)	本体 (Body)	: PFA		
	薄膜 (Diaphragm)	: PTFE		
操作方式 (Operating system)	手动式 (Manual type)			
阀门尺寸 (Valve size)	10 (3/8")	15 (1/2")	20 (3/4")	25 (1")
流通孔 (Orifice)	Φ8	Φ10	Φ16	Φ22
流体压力 (Fluid pressure range)				
0.5MPa规格 (0.5MPa specification)	IN→OUT	0~0.5MPa		
	背压 (Back pressure)	0~0.5MPa		
0.7MPa规格 (0.7MPa specification)	IN→OUT	0~0.7MPa		
	背压 (Back pressure)	0~0.7MPa		

PFA

Flare Type
Flowell 60seriesPillar Super 300
Pillar Super flare

PTFE

Tube Fitting

PTFE
(HI-TEMP)

Tube Fitting

Other

Union

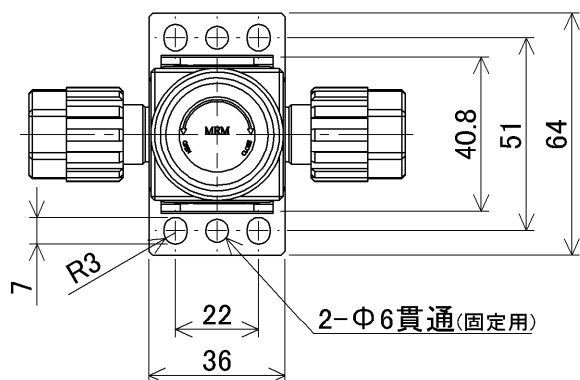
注释 (Note)

※1: 气体在最大1cm³/min的时候, 有可能会发生阀底座泄露。

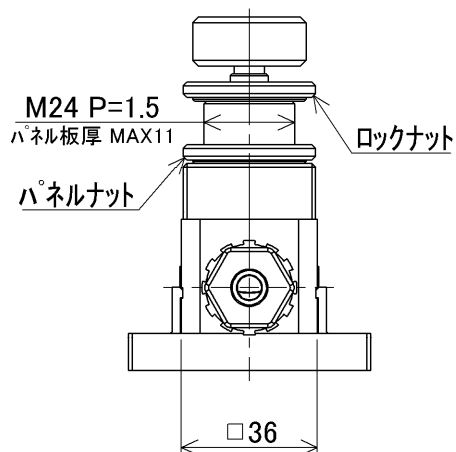
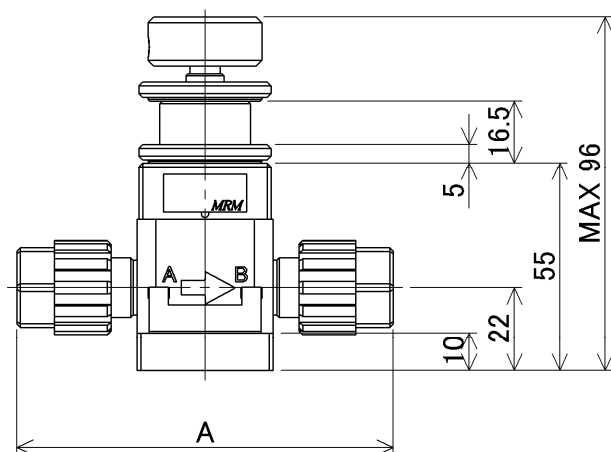
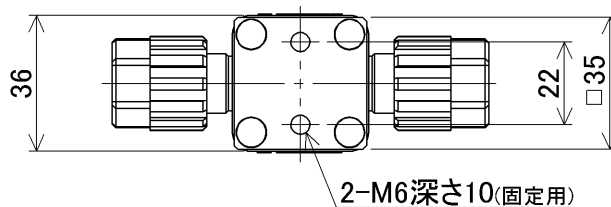
尺寸(Dimensions)

▶ 3/8" (×1/4")

MMV2 - 10 F - □□ - □ - □



底面取付 (Bottom mounting)

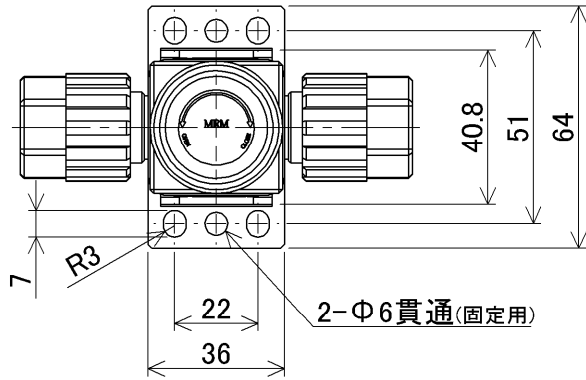


连接方式 (Connection method)	A
Flowell 60series	114
Flare Type	99.6

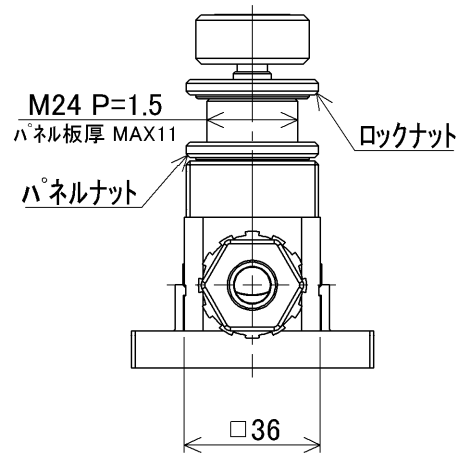
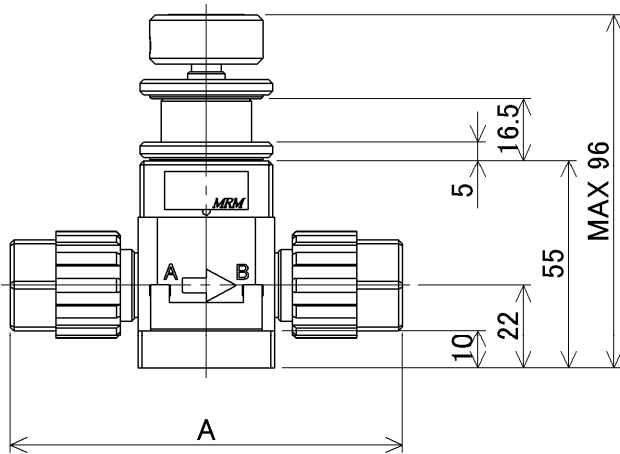
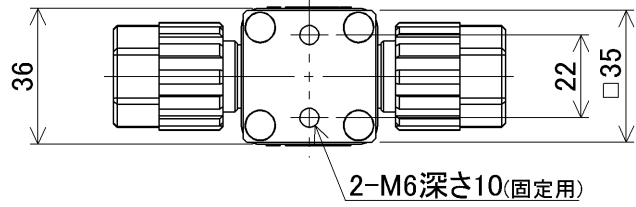
尺寸 (Dimensions)

- ▶ $\Phi 12 \times \Phi 10$
- ▶ $1/2" (\times 3/8")$

MMV2 - 15 F - □□ - □ - □



底面取付 (Bottom mounting)



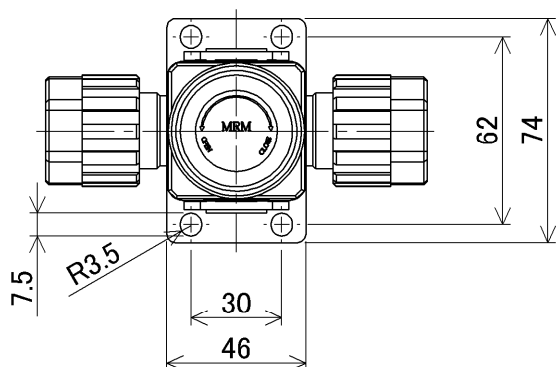
连接方式 (Connection method)	A
Flowell 60series	114
Flare Type	103.6

PFA	Flare Type Flowell 60series	Pillar Super 300 Pillar Super flare	PTFE	Tube Fitting	PTFE (HI-TEMP)	Tube Fitting	Other	Union
-----	--------------------------------	----------------------------------------	------	--------------	-------------------	--------------	-------	-------

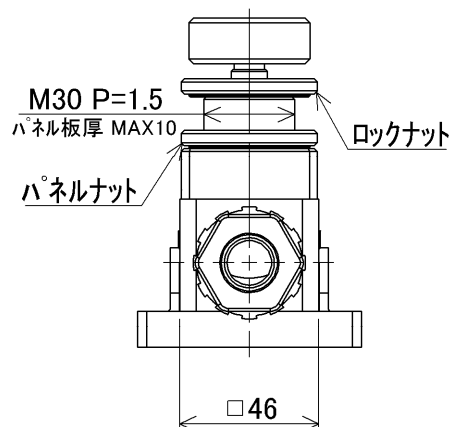
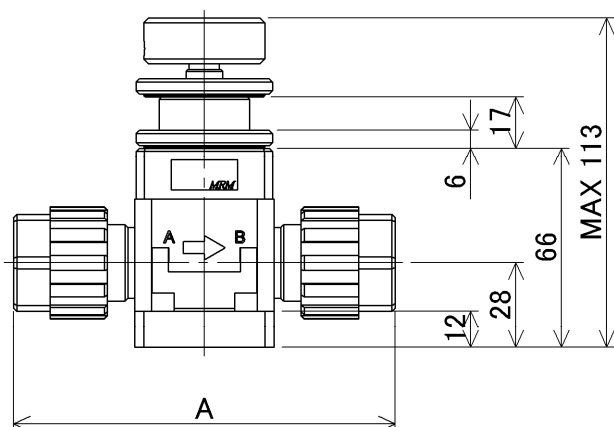
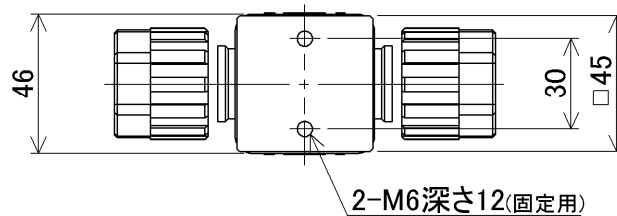
尺寸 (Dimensions)

▶ $\Phi 19 \times \Phi 16$
▶ 3/4" (×5/8")

MMV2 - 20 F - □□ - □ - □



底面取付 (Bottom mounting)

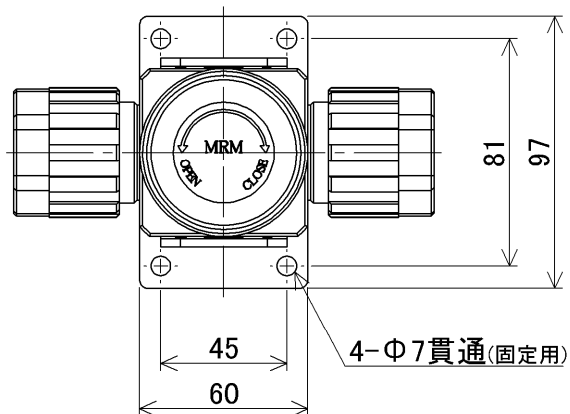


连接方式 (Connection method)	A
Flowell 60series	134
Flare Type	119.6

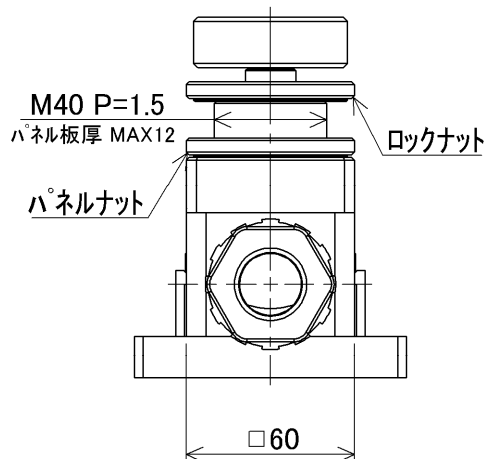
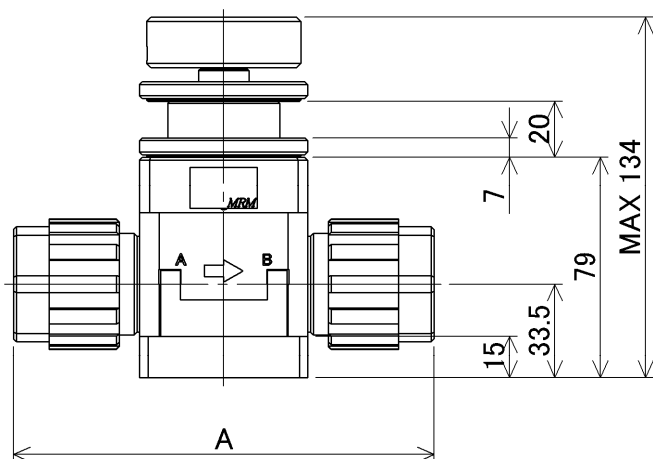
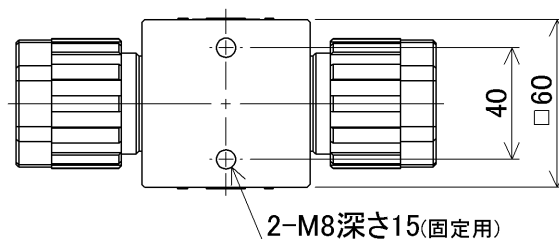
尺寸(Dimensions)

- ▶ $\Phi 25 \times \Phi 22$
- ▶ 1"($\times 7/8$ ")

MMV2 - 25 F - □□ - □ - □



底面取付 (Bottom mounting)



连接方式 (Connection method)	A
Flowell 60series	162
Flare Type	150

PFA

Flare Type
Flowell 60series

Pillar Super 300
Pillar Super flare

PTFE

Tube Fitting

PTFE
(HI-TEMP)

Tube Fitting

Other

Union