

手动阀 (Manual Valves)

- 可对应Pillar Super300/Super flare。
- 接流体部全部都是氟化乙烯树脂(PFA/PTFE)，抗腐蚀。
- 超低粉尘清理(表面粗糙度加工、精密洗净、平面构造)。
- MRM独自的安全构造(高压对策及热循环对策)。

型号表示方法 (How to order)

MMV2 - □ F - □ □ - □ - □

↓ ↓ ↓ ↓ ↓ ↓
 ① ② ③ ④ ⑤



型号选定例 (Model Number Selection example)

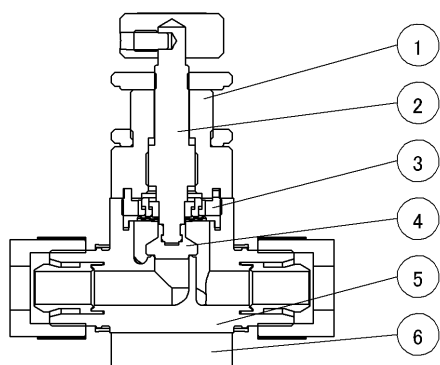
MMV2-15F-SB-B-7K

: 1/2"(×3/8"), Pillar Super 300, Bottom mounting, 0.7MPa specification

◎ : 标准在庫品 (Standard stock)
 ○ : 受注生産品 (Made to order)
 — : 无在庫 (Not stock)

① 阀门尺寸 (Valve size)		10		15		20		25	
	mm	Φ10×Φ8		Φ12×Φ10		Φ19×Φ16		Φ25×Φ22	
	inch	3/8"(×1/4")		1/2"(×3/8")		3/4"(×5/8")		1"(×7/8")	
② 连接方式 (Connection method)		mm	inch	mm	inch	mm	inch	mm	inch
S	Pillar Super 300	◎	◎	◎	◎	◎	◎	◎	◎
L	Pillar Super flare	○	○	○	○	○	○	○	○
③ 管道规格 (Tube Standard)									
A	mm								
B	inch								
④ 固定 (Mounting)									
(No sign)	法兰固定 (Flange mounting)								
B	底座固定 (Bottom mounting)								
⑤ 流体压力 (Fluid pressure range)									
(No sign)	0.5MPa规格 (0.5MPa specification)								
7K	0.7MPa规格 (0.7MPa specification)								

内部构造 (Internal structure)



品号 (No)	零件名 (Parts name)	材质 (Material)
①	外壳 (Case)	PP
②	活塞 (Shaft)	PP
③	填料式旋塞阀 (Stuffing)	PP
④	薄膜 (Diaphragm)	PTFE
⑤	本体 (Body)	PFA
⑥	底座 (Base)	PP

规格 (Specifications)

使用流体 (Fluid)	化学品·纯水·气体 (Chemical liquid, DIW, Gas) ※1			
流体温度 (Fluid temperature range)	10~100°C			
大气温度 (Atmospheric temperature)	0~40°C			
液体流动部分的材质 (Materials of liquid flowed parts)	本体 (Body)	: PFA		
	薄膜 (Diaphragm)	: PTFE		
操作方式 (Operating system)	手动式			
阀门尺寸 (Valve size)	10 (3/8")	15 (1/2")	20 (3/4")	25 (1")
流通孔 (Orifice)	Φ8	Φ10	Φ16	Φ22
流体压力 (Fluid pressure range)				
0.5MPa规格 (0.5MPa specification)	IN→OUT	0~0.5MPa		
	背压 (Back pressure)	0~0.5MPa		
0.7MPa规格 (0.7MPa specification)	IN→OUT	0~0.7MPa		
	背压 (Back pressure)	0~0.7MPa		

PFA

Flare Type
Flowell 60seriesPillar Super 300
Pillar Super flare

PTFE

Tube Fitting

PTFE
(HI-TEMP)

Tube Fitting

Other

Union

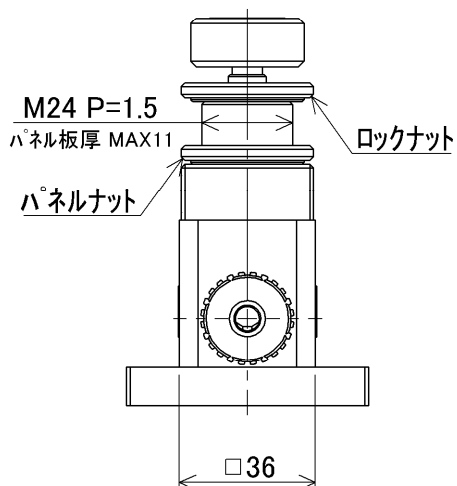
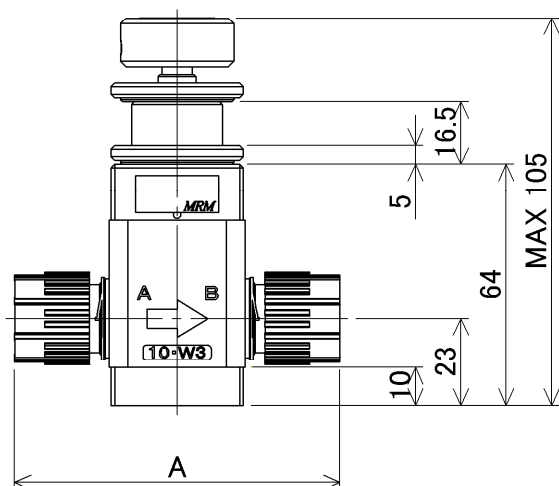
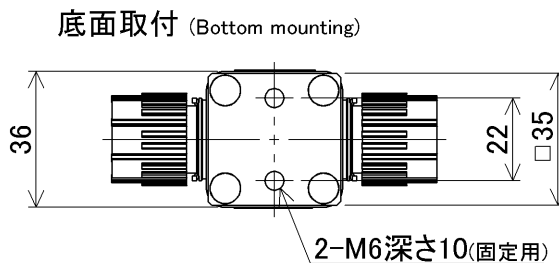
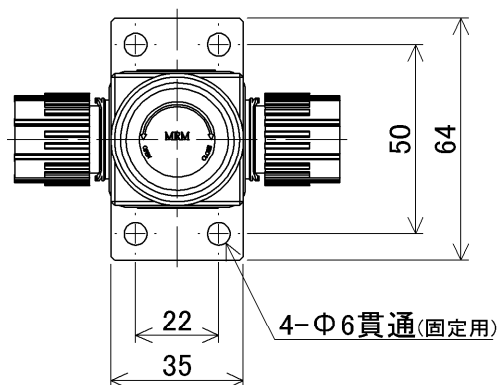
注释 (Note)

※1: 气体在最大1cm³/min的时候, 有可能会发生阀底座泄露。

尺寸 (Dimensions)

- ▶ $\Phi 10 \times \Phi 8$
- ▶ $3/8" (\times 1/4")$

MMV2 - 10 F - □□ - □ - □

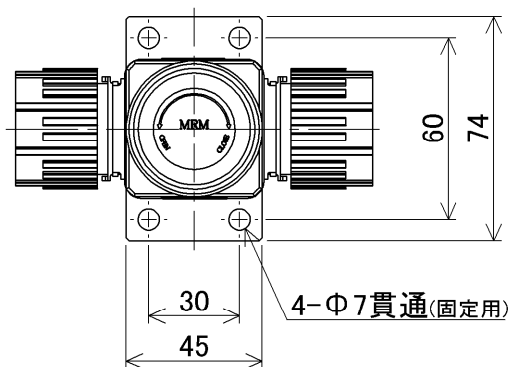


连接方式 (Connection method)	A
Pillar Super 300	86
Pillar Super flare	85.6

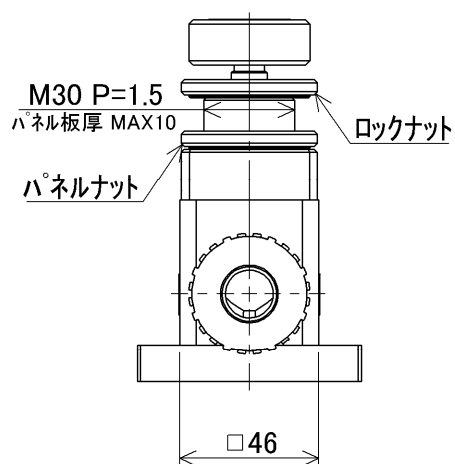
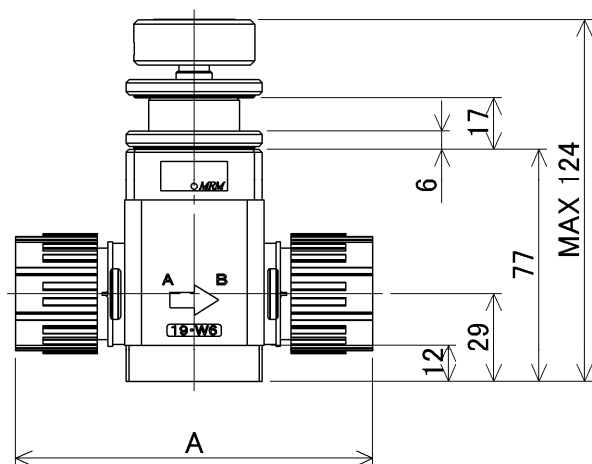
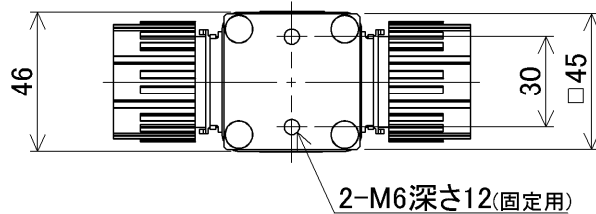
尺寸 (Dimensions)

- ▶ $\Phi 19 \times \Phi 16$
- ▶ $3/4" (\times 5/8")$

MMV2 - 20 F - □ □ - □ - □



底面取付 (Bottom mounting)

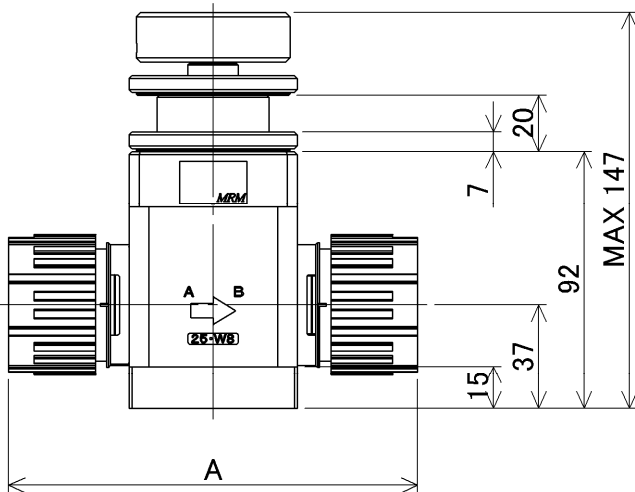
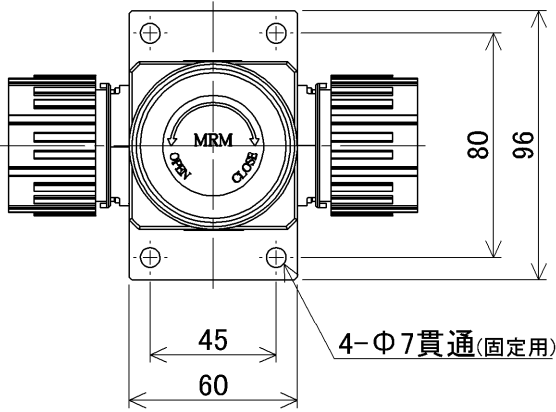


连接方式 (Connection method)	A
Pillar Super 300	118
Pillar Super flare	117.6

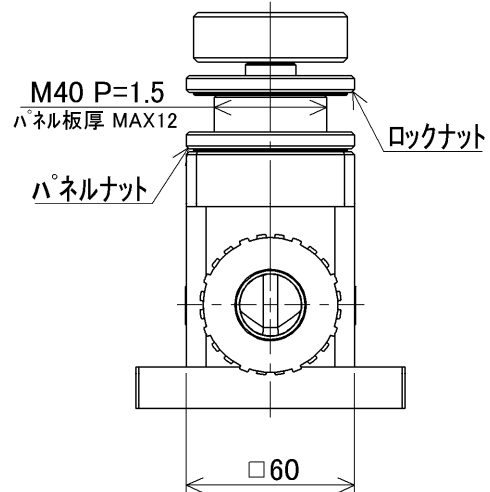
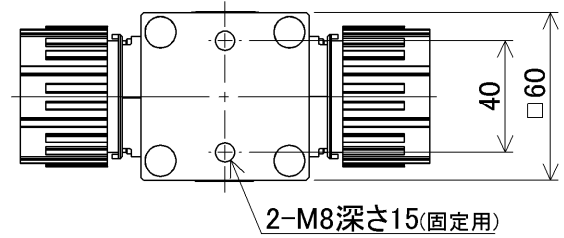
尺寸 (Dimensions)

- ▶ $\Phi 25 \times \Phi 22$
- ▶ 1"($\times 7/8$ ")

MMV2 - 25 F - □□ - □ - □



底面取付 (Bottom mounting)



连接方式 (Connection method)	A
Pillar Super 300	146
Pillar Super flare	143

PFA

Flare Type
Flowell 60series

Pillar Super 300
Pillar Super flare

PTFE

Tube Fitting

PTFE
(HI-TEMP)

Tube Fitting

Other

Union