

手動閥 (Manual Valves)

- 可對應Pillar Super300/Super flare。
- 接流體部分為氟化乙烯樹脂(PFA/PTFE)，抗腐蝕。
- 低粉塵清理(高面粗度加工、精密洗淨、平面構造)。
- MRM獨自的安全構造(高壓對策及熱循環對策)。

型番表示方法 (How to order)

MMV2 - □ F - □ □ - □ - □
 ↓ ↓ ↓ ↓ ↓
 ① ② ③ ④ ⑤



型番選擇例子 (Model Number Selection example)

MMV2-15F-SB-B-7K

: 1/2"(×3/8"), Pillar Super 300, Bottom mounting, 0.7MPa specification

◎ : 標準在庫品 (Standard stock)
 ○ : 受注生産品 (Made to order)
 — : 無在庫 (Not stock)

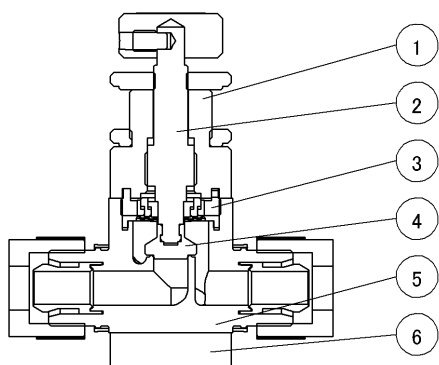
① 閥門尺寸 (Valve size)		10		15		20		25	
	mm	Φ 10 × Φ 8		Φ 12 × Φ 10		Φ 19 × Φ 16		Φ 25 × Φ 22	
	inch	3/8" (× 1/4")		1/2" (× 3/8")		3/4" (× 5/8")		1" (× 7/8")	
② 接續方式 (Connection method)		mm	inch	mm	inch	mm	inch	mm	inch
S	Pillar Super 300	◎	◎	◎	◎	◎	◎	◎	◎
L	Pillar Super flare	○	○	○	○	○	○	○	○

③ 管道規格 (Tube Standard)	
A	mm
B	inch

⑤ 流體壓力 (Fluid pressure range)	
(No sign)	0.5MPa規格 (0.5MPa specification)
7K	0.7MPa規格 (0.7MPa specification)

④ 固定 (Mounting)	
(No sign)	法蘭固定 (Flange mounting)
B	底面固定 (Bottom mounting)

內部構造 (Internal structure)



品番 (No)	零件名 (Parts name)	材質 (Material)
①	外殼 (Case)	PP
②	活塞 (Shaft)	PP
③	填料式旋塞閥 (Stuffing)	PP
④	薄膜 (Diaphragm)	PTFE
⑤	本體 (Body)	PFA
⑥	底座 (Base)	PP

規格 (Specifications)

使用流體 (Fluid)	化學品・純水・氣體 (Chemical liquid, DIW, Gas) ※1			
流體溫度 (Fluid temperature range)	10~100°C			
大氣溫度 (Atmospheric temperature)	0~40°C			
接觸液體部分的材質 (Materials of liquid flowed parts)	本體 (Body)	: PFA		
	薄膜 (Diaphragm)	: PTFE		
操作方式 (Operating system)	手動式 (Manual type)			
閥門尺寸 (Valve size)	10 (3/8")	15 (1/2")	20 (3/4")	25 (1")
通氣口 (Orifice)	Φ8	Φ10	Φ16	Φ22
流體壓力 (Fluid pressure range)				
0.5MPa規格 (0.5MPa specification)	IN→OUT	0~0.5MPa		
	背壓 (Back pressure)	0~0.5MPa		
0.7MPa規格 (0.7MPa specification)	IN→OUT	0~0.7MPa		
	背壓 (Back pressure)	0~0.7MPa		

PFA

Flare Type
Flowell 60seriesPillar Super 300
Pillar Super flare

PTFE

Tube Fitting

PTFE
(HI-TEMP)

Tube Fitting

Other

Union

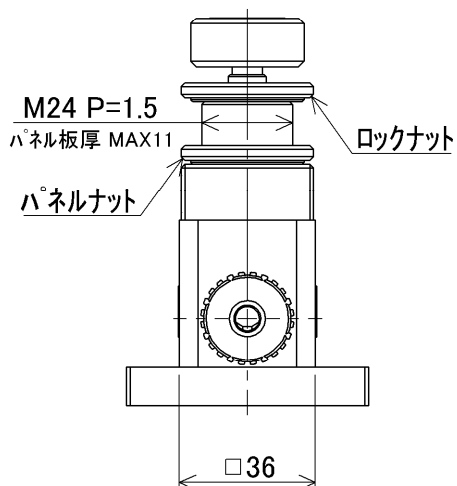
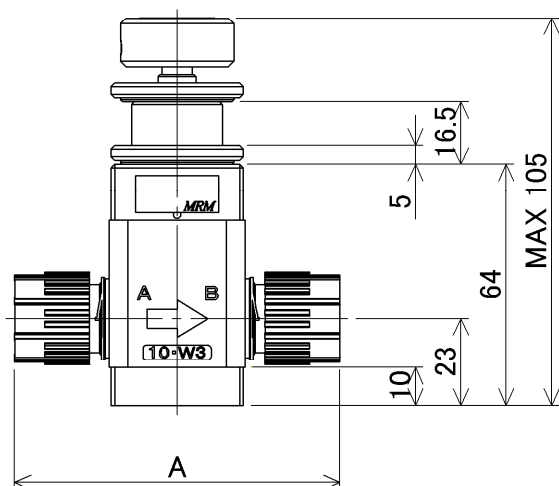
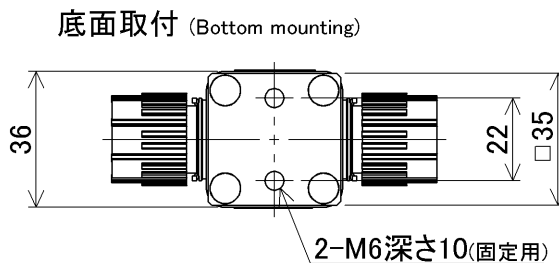
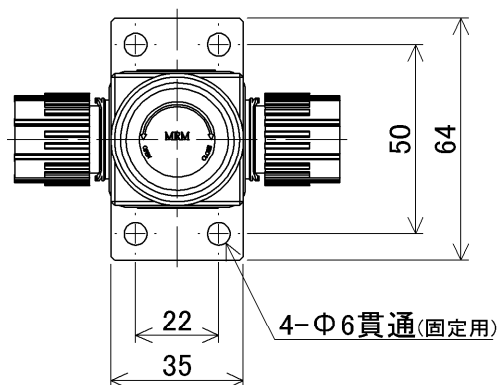
注記 (Note)

※1: 氣體在最大で1cm³/min時, 閥底有發生泄露的可能性。

尺寸 (Dimensions)

- ▶ $\Phi 10 \times \Phi 8$
- ▶ $3/8" (\times 1/4")$

MMV2 - 10 F - □□ - □ - □

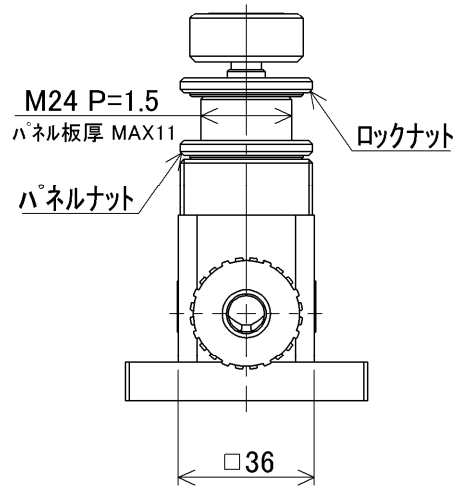
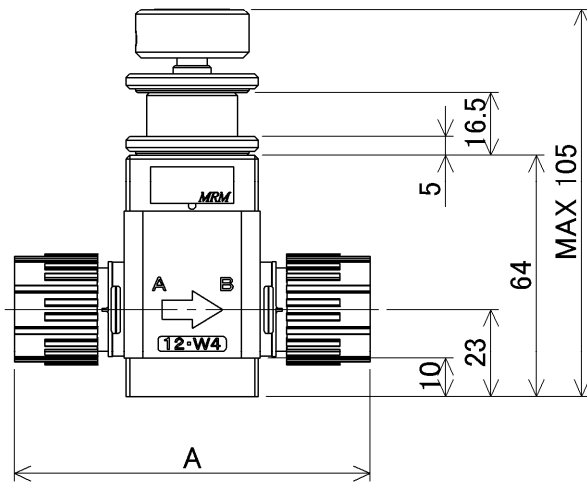
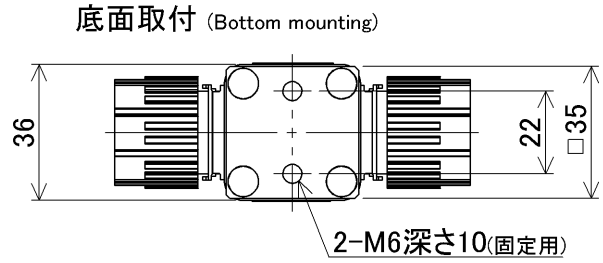
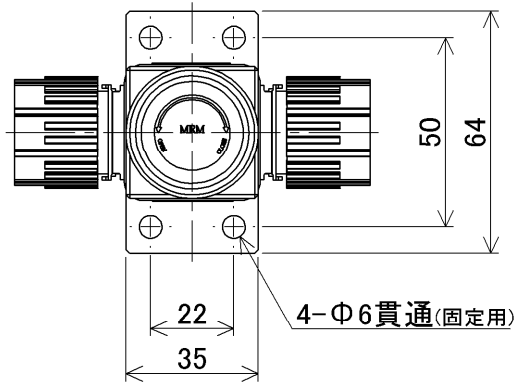


接続方式 (Connection method)	A
Pillar Super 300	86
Pillar Super flare	85.6

尺寸 (Dimensions)

- ▶ $\Phi 12 \times \Phi 10$
- ▶ $1/2" (\times 3/8")$

MMV2 - 15 F - □□ - □ - □



接続方式 (Connection method)	A
Pillar Super 300	94
Pillar Super flare	93.6

PFA

Flare Type
Flowell 60series

Pillar Super 300
Pillar Super flare

PTFE

Tube Fitting

PTFE
(HI-TEMP)

Tube Fitting

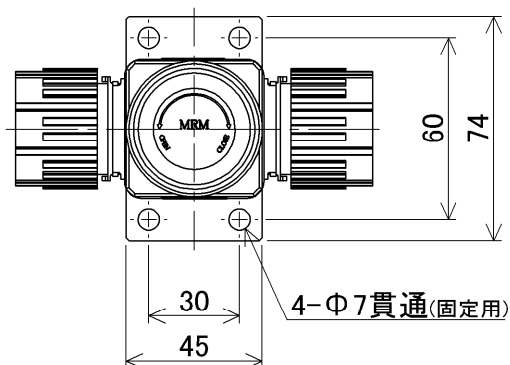
Other

Union

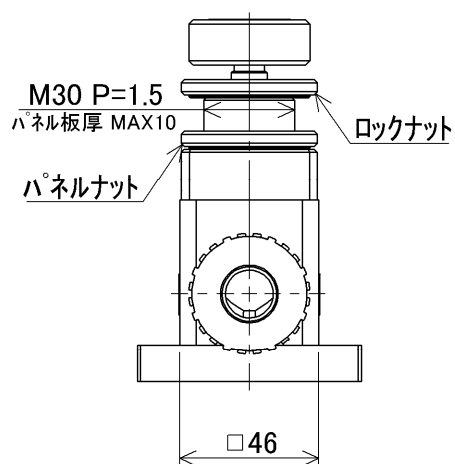
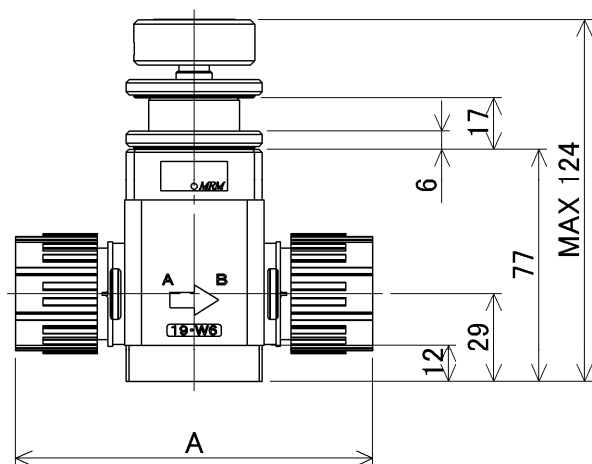
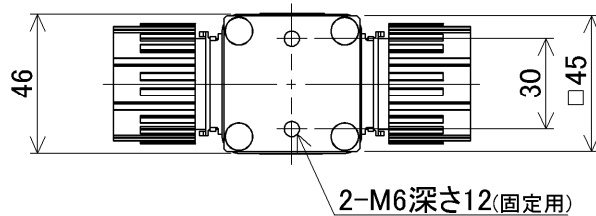
尺寸 (Dimensions)

- ▶ $\Phi 19 \times \Phi 16$
- ▶ $3/4" (\times 5/8")$

MMV2 - 20 F - □ □ - □ - □



底面取付 (Bottom mounting)

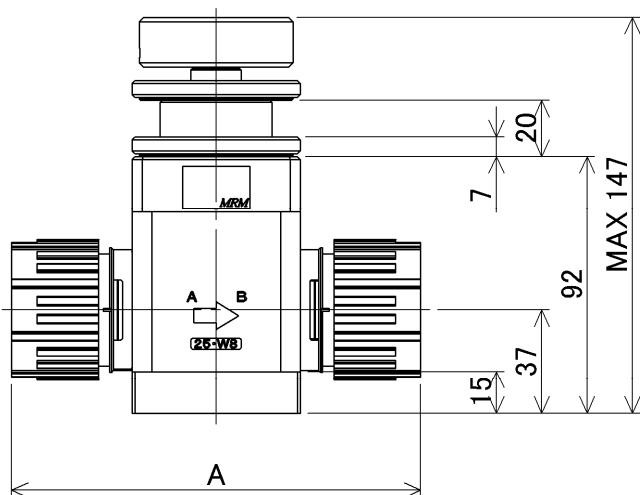
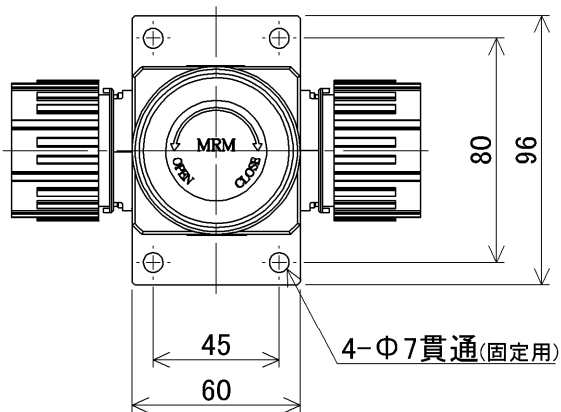


接続方式 (Connection method)	A
Pillar Super 300	118
Pillar Super flare	117.6

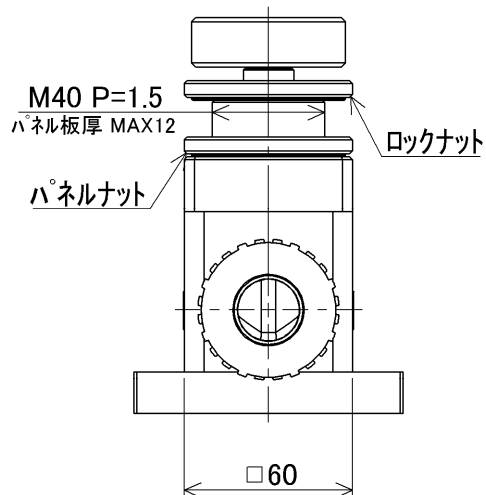
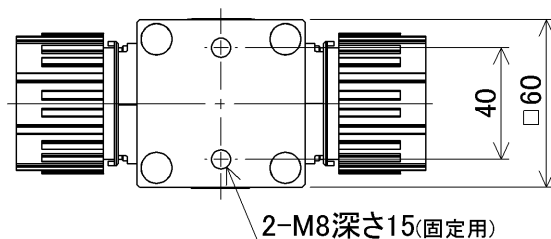
尺寸 (Dimensions)

- ▶ $\Phi 25 \times \Phi 22$
- ▶ 1" ($\times 7/8$ ")

MMV2 - 25 F - □□ - □ - □



底面取付 (Bottom mounting)



接続方式 (Connection method)	A
Pillar Super 300	146
Pillar Super flare	143

PFA

Flare Type
Flowell 60series

Pillar Super 300
Pillar Super flare

PTFE

Tube Fitting

PTFE
(HI-TEMP)

Tube Fitting

Other

Union