

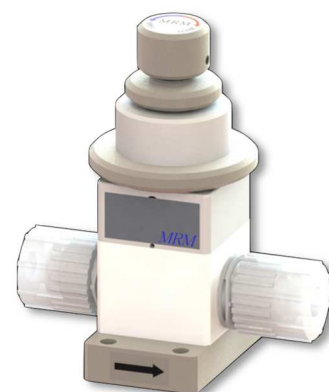
手动阀 (Manual Valves)

- 可对应各种连接方式。
- 配管时可节约大量空间。
- 接流体部全部都是氟化乙烯树脂(PFA/PTFE)，抗腐蚀。
- 超低粉尘清理。(表面粗糙度加工、精密洗净、积水少等设计)。

型号表示方法 (How to order)

MMV2 - □ TF - □ □ - □ - □

↓ ↓ ↓ ↓ ↓
 ① ② ③ ④ ⑤



型号选定例 (Model Number Selection example)

MMV2-8TF6-SA-P-B-7K

: $\Phi 8 \times \Phi 6$ (mm), Pillar Super 300, Panel mounting + Bottom mounting, 0.7MPa specification

◎ : 标准在庫品 (Standard stock)
 ○ : 受注生産品 (Made to order)
 — : 无在庫 (Not stock)

| ① 阀门尺寸 (Valve size) | | 6 | | 4TF3 ※1 | | 8 | | 8TF6 ※1 | |
|----------------------------|---------------------------|------------------------|------|------------------------|------|-----------------------------|------|-----------------------------|------|
| | mm | $\Phi 3 \times \Phi 2$ | | $\Phi 4 \times \Phi 3$ | | $\Phi 6 \times \Phi 4$, N4 | | $\Phi 8 \times \Phi 6$, N6 | |
| | inch | 1/8" (×0.086") | | | | 1/4" (×5/32") | | | |
| ② 连接方式 (Connection method) | | mm | inch | mm | inch | mm | inch | mm | inch |
| F | Flowell 20series | ○ | ○ | ○ | — | ◎ | ◎ ※2 | ○ | — |
| R | Flowell 60series | ○ | ○ | ○ | — | ◎ | ◎ | ○ | — |
| H | Flowell 80series | — | — | — | — | ○ | ○ | — | — |
| P | Pillar Super fitting | ○ | ○ | ○ | — | ○ | ○ | — | — |
| S | Pillar Super 300 | ◎ | ◎ | ○ | — | ◎ | ◎ | ○ | — |
| L | Pillar Super flare | — | — | — | — | ○ | ○ | ○ | — |
| K | Kurabo Final lock | — | — | — | — | ○ | ○ | — | — |
| C | Kurabo K-Fitter | — | — | — | — | ○ | ○ | — | — |
| B | Bueno Fit-One | — | — | — | — | ○ | ○ | ○ | — |
| X | Flare Type | — | — | — | — | — | ◎ | — | — |
| NL | Yodogawa Nano Link system | — | — | — | — | ○ ※3 | — | ○ ※3 | — |
| T | Tube Type | — | — | — | — | ○ | ○ | ○ | — |

③ 管道规格 (Tube Standard)

| | |
|---|------|
| A | mm |
| B | inch |

⑤ 流体压力 (Fluid pressure range)

| | |
|-----------|---------------------------------|
| (No sign) | 0.5MPa规格 (0.5MPa specification) |
| 7K | 0.7MPa规格 (0.7MPa specification) |

④ 固定 (Mounting)

| | |
|-----------|---|
| (No sign) | 法兰固定 (Flange mounting) |
| P | 面板固定 (Panel mounting) + 法兰固定 (Flange mounting) |
| B-B | 底座固定 (Bottom mounting) |
| P-B | 面板固定 (Panel mounting) + 底座固定 (Bottom mounting) |

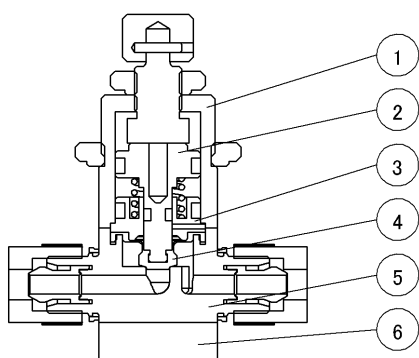
注記 (Note)

※1: "TF"的前后分别记入"4"和"3"或者"8"和"6"。

※2: 配管尺寸为1/4" (× $\Phi 4.3$)。

※3: 管道规格不记载, 只记载NL。(例) N4: 8TF-NL

内部构造 (Internal structure)



| 品号 (No) | 零部件名 (Parts name) | 材质 (Material) |
|---------|-------------------|---------------|
| ① | 外壳 (Case) | PVDF |
| ② | 活塞 (Shaft) | PP |
| ③ | 填料式旋塞阀 (Stuffing) | PP |
| ④ | 薄膜 (Diaphragm) | PTFE |
| ⑤ | 本体 (Body) | PTFE |
| ⑥ | 底座 (Base) | PP |

规格 (Specifications)

| | | | | |
|--|--|----------|----------|------|
| 使用流体 (Fluid) | 化学品·纯水·气体 (Chemical liquid, DIW, Gas) ※1 | | | |
| 流体温度 (Fluid temperature range) | 10~100°C | | | |
| 大气温度 (Atmospheric temperature) | 0~40°C | | | |
| 液体流动部分的材质 (Materials of liquid flowed parts) | 本体 (Body) | : PTFE | | |
| | 薄膜 (Diaphragm) | : PTFE | | |
| 操作方式 (Operating system) | 手动式 (Manual type) | | | |
| 阀门尺寸 (Valve size) | 6 (1/8") | 4TF3 | 8 (1/4") | 8TF6 |
| 流通孔 (Orifice) | Φ5 | Φ5 | Φ5 | Φ6 |
| 流体压力 (Fluid pressure range) | | | | |
| 0.5MPa规格 (0.5MPa specification) | IN→OUT | 0~0.5MPa | | |
| | 背压 (Back pressure) | 0~0.5MPa | | |
| 0.7MPa规格 (0.7MPa specification) | IN→OUT | 0~0.7MPa | | |
| | 背压 (Back pressure) | 0~0.7MPa | | |

PFA

Flare Type
Flowell 60seriesPillar Super 300
Pillar Super flare

PTFE

Tube Fitting

PTFE
(HI-TEMP)

Tube Fitting

Other

Union

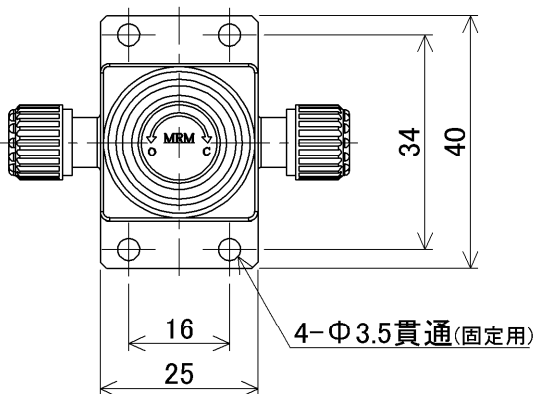
注释 (Note)

※1: 气体在最大1cm³/min的时候, 有可能会发生阀底座泄露。

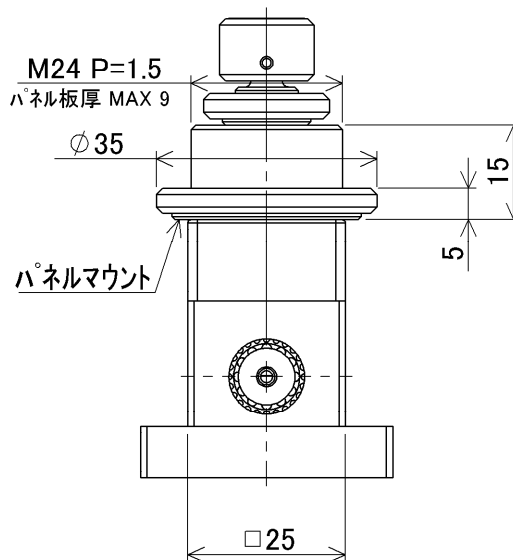
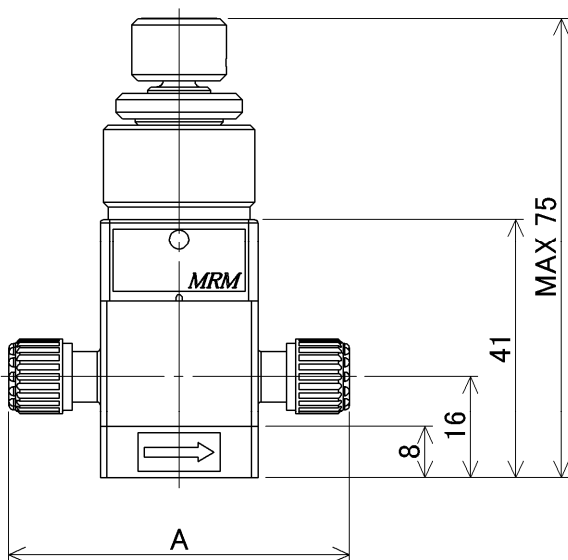
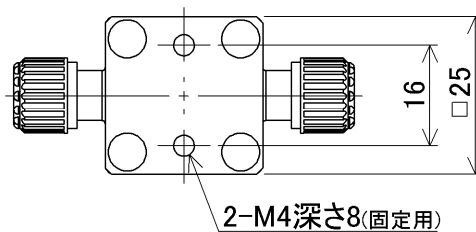
尺寸 (Dimensions)

- ▶ $\Phi 3 \times \Phi 2$
- ▶ 1/8" ($\times 0.086$ ")

MMV2 - 6 TF - □□ - □ - □



底面取付 (Bottom mounting)

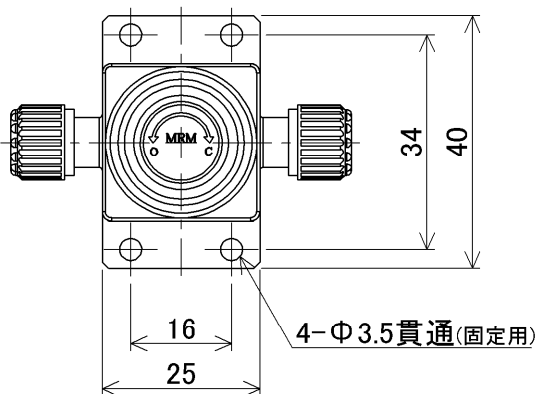


| 连接方式 (Connection method) | A |
|-----------------------------|----|
| Flowell 20series | 43 |
| Flowell 60series | 60 |
| Pillar Super fitting | 54 |
| Pillar Super 300 | 54 |

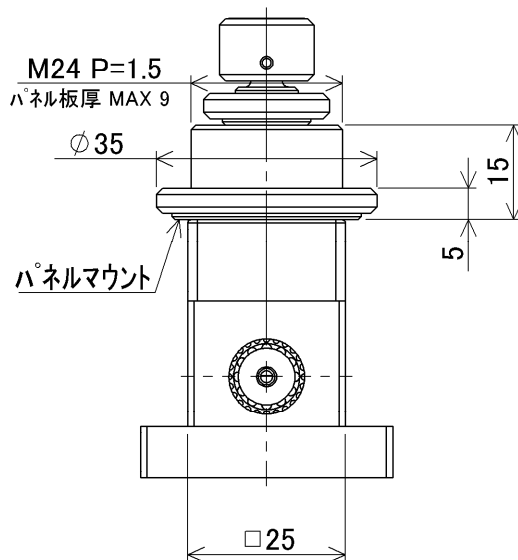
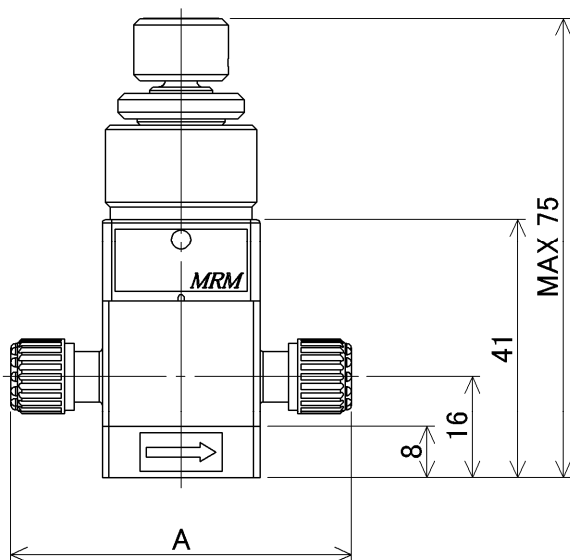
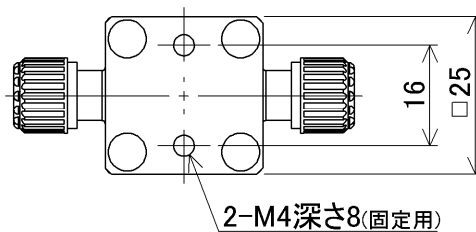
尺寸 (Dimensions)

▶ $\Phi 4 \times \Phi 3$

MMV2 - 4 TF 3 - □□ - □ - □



底面取付 (Bottom mounting)



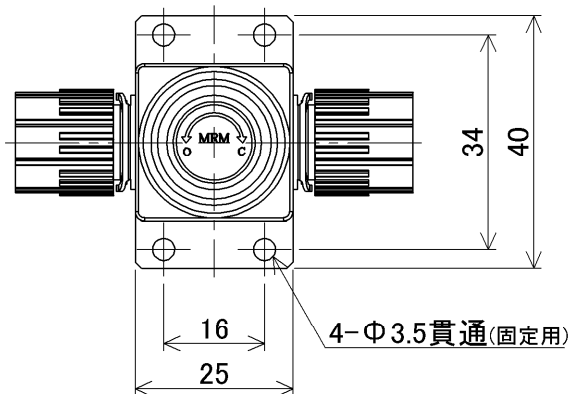
| 连接方式 (Connection method) | A |
|-----------------------------|----|
| Flowell 20series | 47 |
| Flowell 60series | 66 |
| Pillar Super fitting | 54 |
| Pillar Super 300 | 54 |

| | | | | | | | | |
|-----|--------------------------------|--|------|--------------|-------------------|--------------|-------|-------|
| PFA | Flare Type Flowell 60series | Pillar Super 300 Pillar Super flare | PTFE | Tube Fitting | PTFE (HI-TEMP) | Tube Fitting | Other | Union |
|-----|--------------------------------|--|------|--------------|-------------------|--------------|-------|-------|

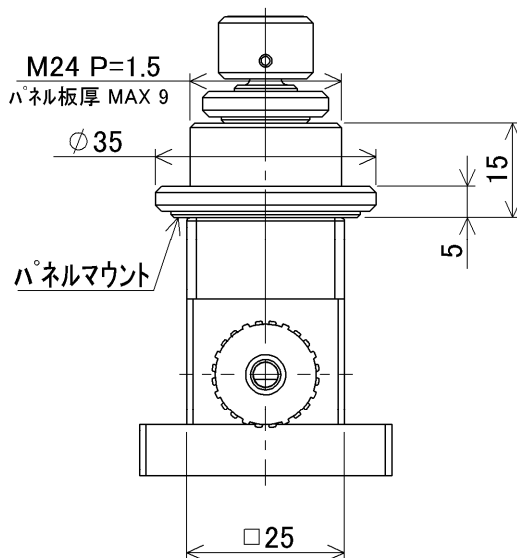
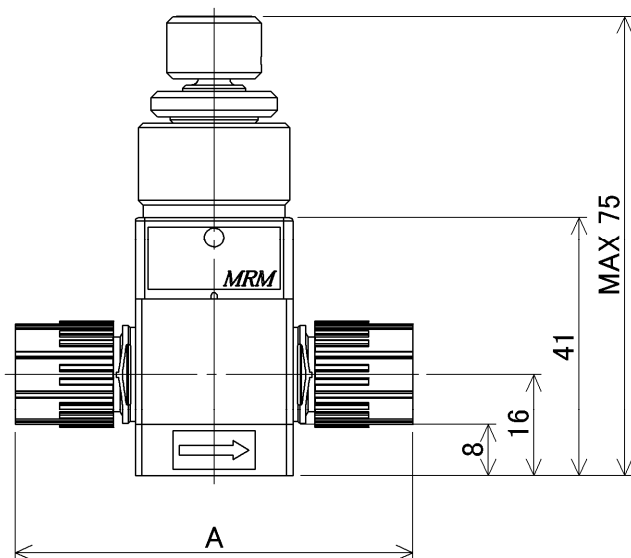
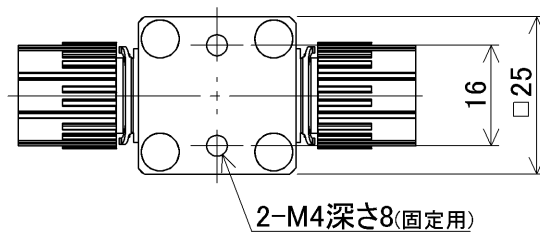
尺寸 (Dimensions)

- ▶ $\Phi 6 \times \Phi 4$, N4
- ▶ $1/4''(\times 5/32'')$, $1/4''(\times \Phi 4.3)$

MMV2 - 8 TF - □□ - □ - □



底面取付 (Bottom mounting)

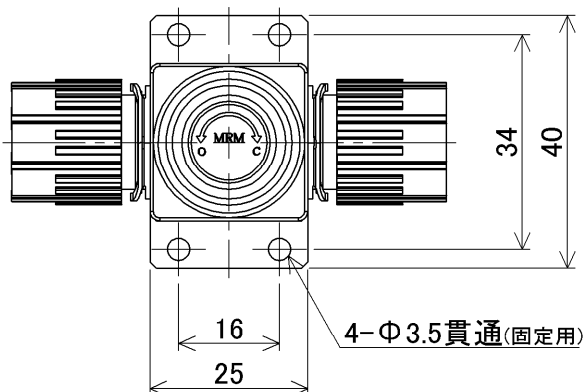


| 连接方式 (Connection method) | A |
|-----------------------------|------|
| Flowell 20series | 59 |
| Flowell 60series | 87 |
| Flowell 80series | 65 |
| Pillar Super fitting | 64 |
| Pillar Super 300 | 63 |
| Pillar Super flare | 62.8 |
| Kurabo Final lock | 66 |
| Kurabo K-Fitter | 65 |
| Bueno Fit-One | 72 |
| Flare Type | 83 |
| Nano Link system | 47.4 |
| Tube Type | 59 |

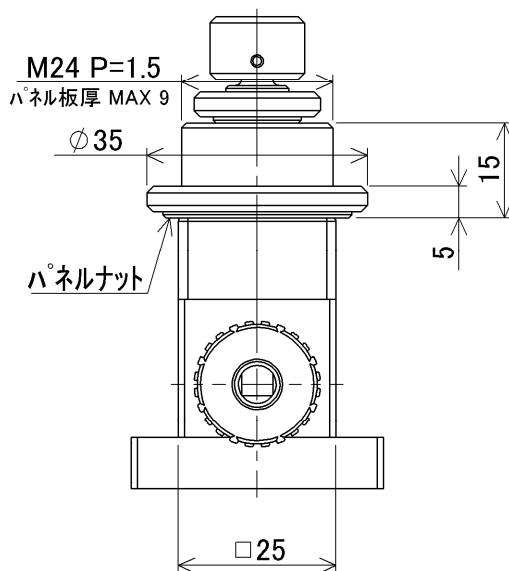
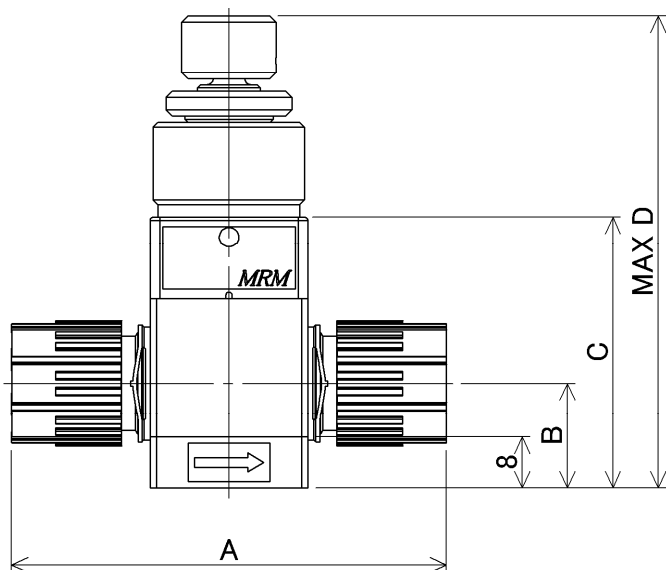
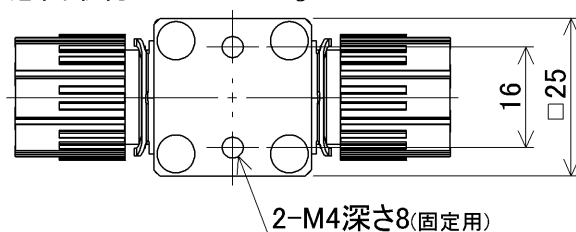
尺寸 (Dimensions)

▶ $\Phi 8 \times \Phi 6$, N6

MMV2 - 8 TF 6 - □□ - □ - □



底面取付 (Bottom mounting)



| 连接方式 (Connection method) | A | B | C | D |
|-----------------------------|------|------|----|----|
| Flowell 20series | 61 | 16.5 | 43 | 77 |
| Flowell 60series | 87 | 16.5 | 43 | 77 |
| Pillar Super 300 | 69 | 16.5 | 43 | 77 |
| Pillar Super flare | 66 | 16.5 | 43 | 77 |
| Bueno Fit-One | 80.4 | 16.5 | 43 | 77 |
| Nano Link system | 55.2 | 18.5 | 45 | 79 |
| Tube Type | 61 | 16.5 | 43 | 77 |

| | | | | | |
|-----|--------------------------------|--|-------|-------------------|-------|
| PFA | Flare Type Flowell 60series | Pillar Super 300 Pillar Super flare | PTFE | PTFE (HI-TEMP) | Other |
| | Tube Fitting | Tube Fitting | Union | | |