

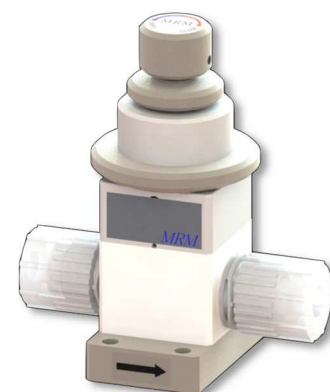
## 手動閥 (Manual Valves)

- 可對應各種接續方式。
- 配管時省空間。
- 接觸流體部分為氟化乙烯樹脂(PTFE)，抗腐蝕。
- 低粉塵清理(高面粗度加工、精密洗淨、積水少設計)。

## 型番表示方法 (How to order)

MMV2 - □ TF - □ □ - □ - □

↓            ↓   ↓   ↓   ↓   ↓  
 ①            ② ③   ④   ⑤



型番選擇例子 (Model Number Selection example)

MMV2-8TF6-SA-P-B-7K

:  $\Phi 8 \times \Phi 6$ (mm), Pillar Super 300, Panel mounting + Bottom mounting, 0.7MPa specification

◎ : 標準在庫品 (Standard stock)  
 ○ : 受注生産品 (Made to order)  
 — : 無在庫 (Not stock)

① 閥門尺寸 (Valve size)		6		4TF3 ※1		8		8TF6 ※1	
	mm	$\Phi 3 \times \Phi 2$		$\Phi 4 \times \Phi 3$		$\Phi 6 \times \Phi 4$ , N4		$\Phi 8 \times \Phi 6$ , N6	
	inch	1/8" (×0.086")				1/4" (×5/32")			
② 接續方式 (Connection method)		mm	inch	mm	inch	mm	inch	mm	inch
F	Flowell 20series	○	○	○	—	◎	◎ ※2	○	—
R	Flowell 60series	○	○	○	—	◎	◎	○	—
H	Flowell 80series	—	—	—	—	○	○	—	—
P	Pillar Super fitting	○	○	○	—	○	○	—	—
S	Pillar Super 300	◎	◎	○	—	◎	◎	○	—
L	Pillar Super flare	—	—	—	—	○	○	○	—
K	Kurabo Final lock	—	—	—	—	○	○	—	—
C	Kurabo K-Fitter	—	—	—	—	○	○	—	—
B	Bueno Fit-One	—	—	—	—	○	○	○	—
X	Flare Type	—	—	—	—	—	◎	—	—
NL	Yodogawa Nano Link system	—	—	—	—	○ ※3	—	○ ※3	—
T	Tube Type	—	—	—	—	○	○	○	—

③ 管道規格 (Tube Standard)	
A	mm
B	inch

⑤ 流體壓力 (Fluid pressure range)	
(No sign)	0.5MPa規格 (0.5MPa specification)
7K	0.7MPa規格 (0.7MPa specification)

④ 固定 (Mounting)	
(No sign)	法蘭固定 (Flange mounting)
P	面板固定 (Panel mounting) + 法蘭固定 (Flange mounting)
B-B	底面固定 (Bottom mounting)
P-B	面板固定 (Panel mounting) + 底面固定 (Bottom mounting)

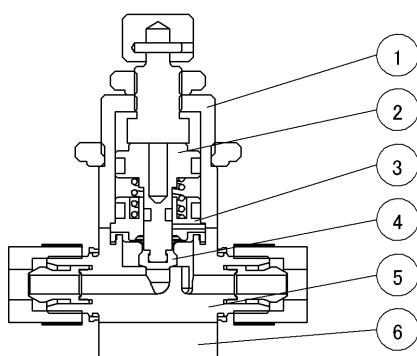
### 注記 (Note)

※1: "TF"前後請記入"4"與"3"或者, 記入"8"與"6"。

※2: 配管尺寸為1/4" (× $\Phi 4.3$ )。

※3: 管道規格並不記載, 只以NL記載。(例) N4: 8TF-NL

## 内部構造 (Internal structure)



品番 (No)	零件名 (Parts name)	材質 (Material)
①	外殻 (Case)	PVDF
②	活塞 (Shaft)	PP
③	填料式旋轉閥 (Stuffing)	PP
④	薄膜 (Diaphragm)	PTFE
⑤	本體 (Body)	PTFE
⑥	底座 (Base)	PP

## 規格 (Specifications)

使用流體 (Fluid)	化学品・純水・氣體 (Chemical liquid, DIW, Gas) ※1		
流體溫度 (Fluid temperature range)	10~100°C		
大氣溫度 (Atmospheric temperature)	0~40°C		
接觸液體部分的材質 (Materials of liquid flowed parts)	本體 (Body)	: PTFE	
	薄膜 (Diaphragm)	: PTFE	
操作方式 (Operating system)	手動式 (Manual type)		

閥門尺寸 (Valve size)	6 (1/8")	4TF3	8 (1/4")	8TF6
通氣孔 (Orifice)	Φ5	Φ5	Φ5	Φ6
流體壓力 (Fluid pressure range)				
0.5MPa規格 (0.5MPa specification)	IN→OUT	0~0.5MPa		
	背壓 (Back pressure)	0~0.5MPa		
0.7MPa規格 (0.7MPa specification)	IN→OUT	0~0.7MPa		
	背壓 (Back pressure)	0~0.7MPa		

PFA

Flare Type  
Flowell 60seriesPillar Super 300  
Pillar Super flare

PTFE

Tube Fitting

PTFE  
(HI-TEMP)

Tube Fitting

Other

Union

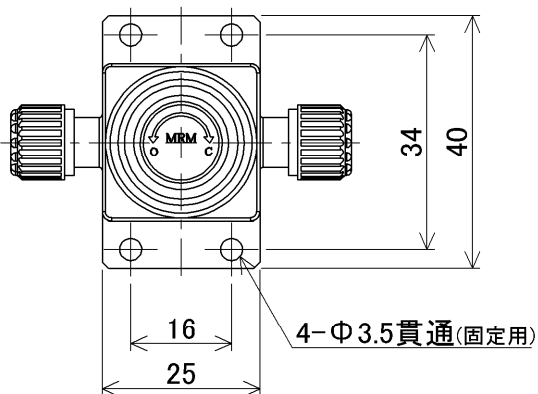
## 注記 (Note)

※1: 氣體の場合は、最大で1cm<sup>3</sup>/minの弁座漏れが発生する可能性があります。

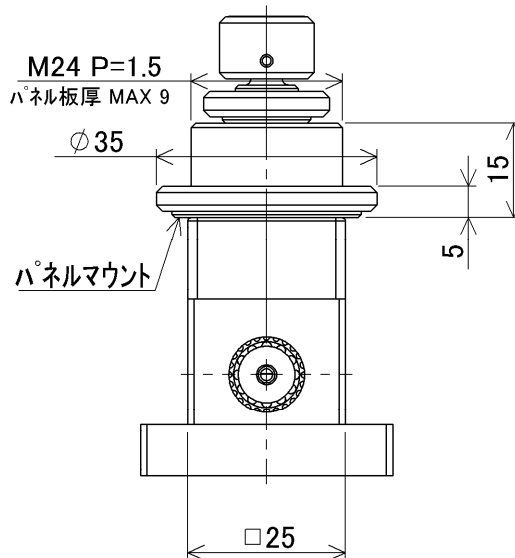
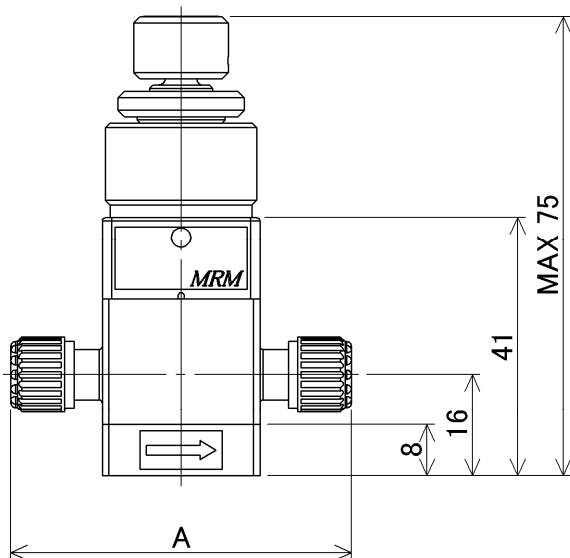
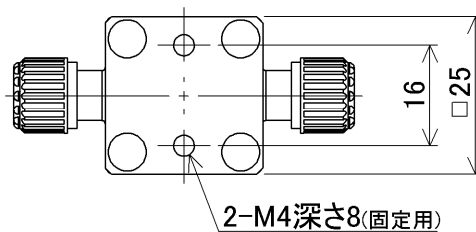
尺寸 (Dimensions)

- ▶  $\Phi 3 \times \Phi 2$
- ▶ 1/8" ( $\times 0.086$ " )

MMV2 - 6 TF - □□ - □ - □



底面取付 (Bottom mounting)

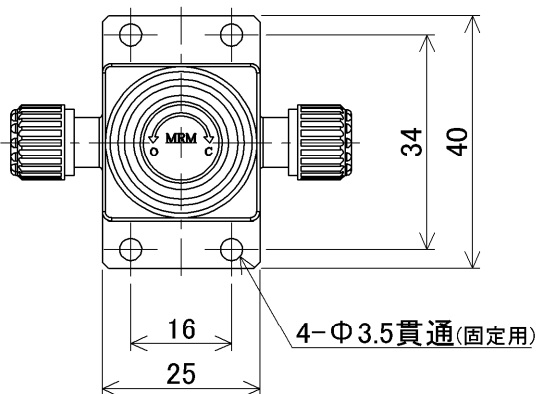


接続方式 (Connection method)	A
Flowell 20series	43
Flowell 60series	60
Pillar Super fitting	54
Pillar Super 300	54

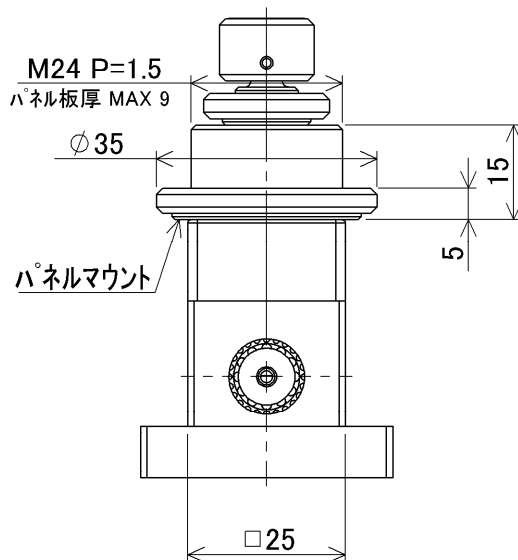
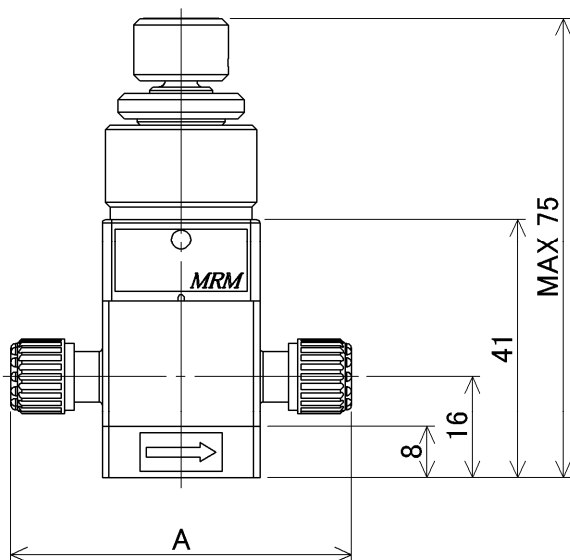
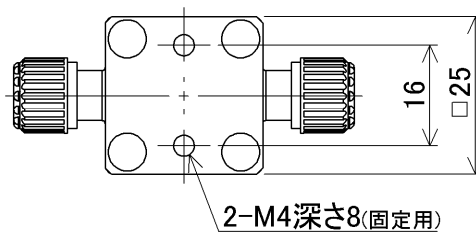
尺寸 (Dimensions)

▶  $\Phi 4 \times \Phi 3$

MMV2 - 4 TF 3 - □□ - □ - □



底面取付 (Bottom mounting)



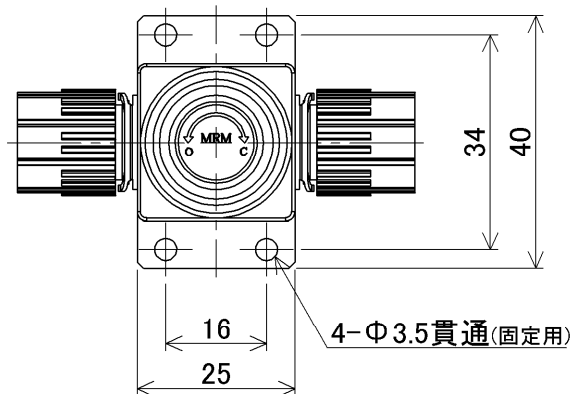
接続方式 (Connection method)	A
Flowell 20series	47
Flowell 60series	66
Pillar Super fitting	54
Pillar Super 300	54

PFA	Flare Type Flowell 60series	Pillar Super 300 Pillar Super flare	PTFE	Tube Fitting	PTFE (HI-TEMP)	Tube Fitting	Other	Union
-----	--------------------------------	--	------	--------------	-------------------	--------------	-------	-------

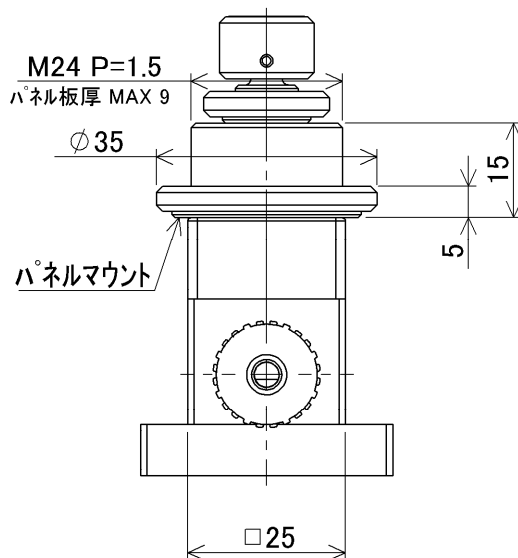
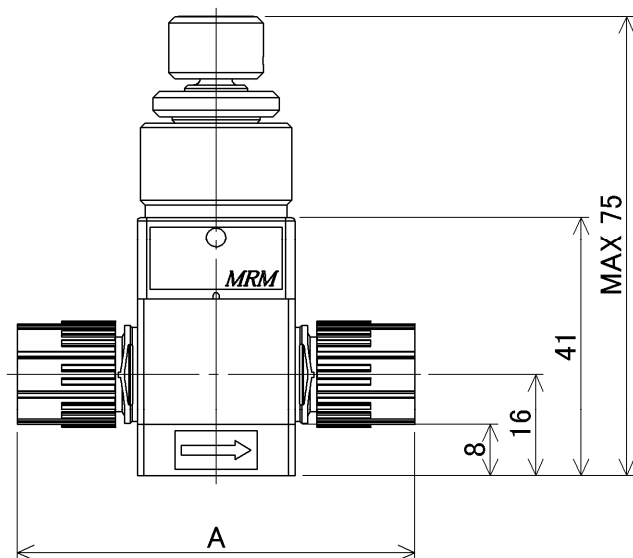
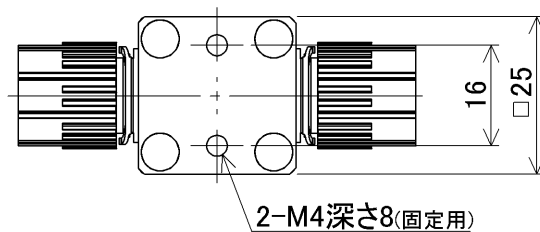
尺寸 (Dimensions)

- ▶  $\Phi 6 \times \Phi 4$ , N4
- ▶  $1/4''(\times 5/32'')$ ,  $1/4''(\times \Phi 4.3)$

MMV2 - 8 TF - □□ - □ - □



底面取付 (Bottom mounting)

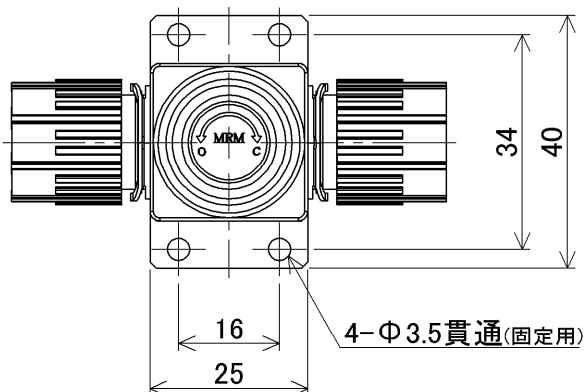


接続方式 (Connection method)	A
Flowell 20series	59
Flowell 60series	87
Flowell 80series	65
Pillar Super fitting	64
Pillar Super 300	63
Pillar Super flare	62.8
Kurabo Final lock	66
Kurabo K-Fitter	65
Bueno Fit-One	72
Flare Type	83
Nano Link system	47.4
Tube Type	59

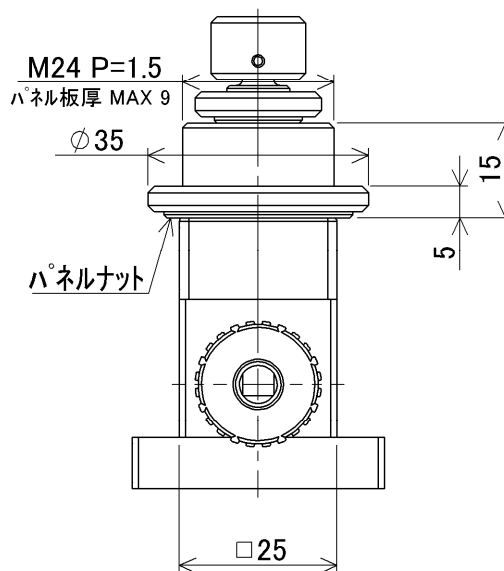
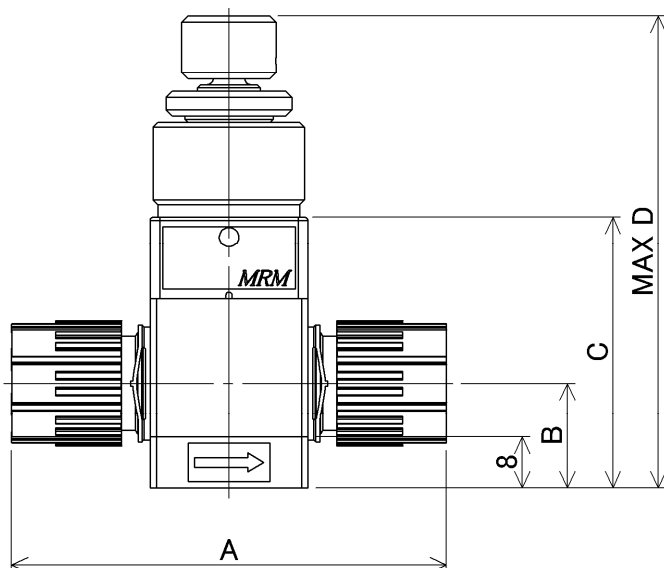
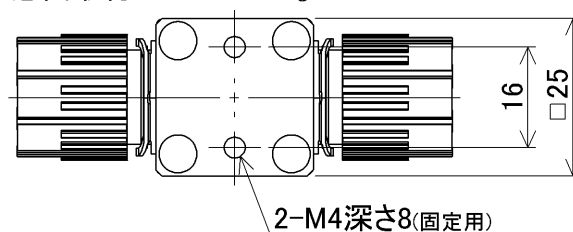
尺寸 (Dimensions)

▶  $\Phi 8 \times \Phi 6$ , N6

MMV2 - 8 TF 6 - □□ - □ - □



底面取付 (Bottom mounting)



接続方式 (Connection method)	A	B	C	D
Flowell 20series	61	16.5	43	77
Flowell 60series	87	16.5	43	77
Pillar Super 300	69	16.5	43	77
Pillar Super flare	66	16.5	43	77
Bueno Fit-One	80.4	16.5	43	77
Nano Link system	55.2	18.5	45	79
Tube Type	61	16.5	43	77

PFA	Flare Type Flowell 60series	Pillar Super 300 Pillar Super flare	PTFE	PTFE (HI-TEMP)	Other	Union
	Tube Fitting	Tube Fitting				