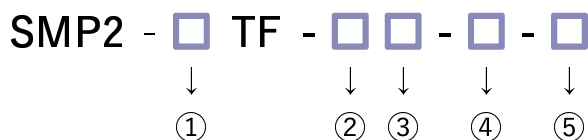


手動閥 (Manual Valves)

- 可對應各種接續方式。
- 接流體部都是氟化乙烯樹脂(PTFE)，抗腐蝕。
- 低粉塵清理(高面粗度加工、精密洗淨、平面構造)。
- MRM独自の安全構造(高壓對策及熱循環對策)。

型番表示方法 (How to order)



型番選擇例子 (Model Number Selection example)

SMP2-15TF-SB-B-7K

: 1/2"(×3/8"), Pillar Super 300, Bottom mounting, 0.7MPa specification

◎ : 標準在庫品 (Standard stock)
 ○ : 受注生産品 (Made to order)
 — : 無在庫 (Not stock)

① 閥門尺寸 (Valve size)		10		15		20		25	
	mm	Φ10×Φ8, N8		Φ12×Φ10, N10		Φ19×Φ16, N16		Φ25×Φ22, N22	
	inch	3/8"(×1/4")		1/2"(×3/8")		3/4"(×5/8")		1"(×7/8")	
② 接續方式 (Connection method)		mm	inch	mm	inch	mm	inch	mm	inch
F	Flowell 20series	◎	◎	◎	◎	◎	◎	◎	◎
FA	Flowell 20Aseries	◎	◎	◎	◎	◎	◎	◎	◎
R	Flowell 60series	○	○	○	○	○	○	○	○
H	Flowell 80series	○	○	○	○	○	○	○	○
P	Pillar Super fitting	○	○	○	○	○	○	○	○
S	Pillar Super 300	◎	◎	◎	◎	◎	◎	◎	◎
L	Pillar Super flare	○	○	○	○	○	○	○	○
K	Kurabo Final lock	○	○	○	○	○	○	○	○
C	Kurabo K-Fitter	○	○	○	○	○	○	○	○
B	Bueno Fit-One	○	○	○	○	○	○	○	○
X	Flare Type	—	○	—	○	—	○	—	○
NL	Yodogawa Nano Link system	○※3	—	○※3	—	○※3	—	○※3	—
T	Tube Type	○	○	○	○	○	○	○	○

③ 管道規格 (Tube Standard)	
A	mm
B	inch

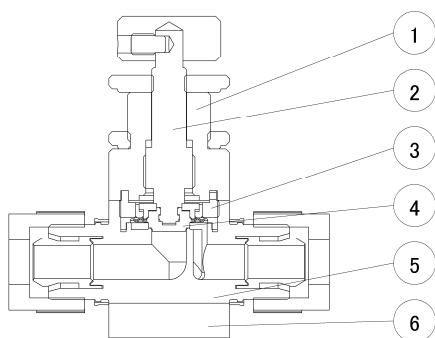
⑤ 流體壓力 (Fluid pressure range)	
(No sign)	0.5MPa規格 (0.5MPa specification)
7K	0.7MPa規格 (0.7MPa specification)

④ 固定 (Mounting)	
(No sign)	法蘭固定 (Flange mounting)
B	底面固定 (Bottom mounting)

注記 (Note)

※1: 管道的規格并不記載，只記載NL。(例) N8: 10TF-NL

内部構造 (Internal structure)



品番 (No)	零件名 (Parts name)	材質 (Material)
①	外殻 (Case)	PP
②	升降件 (Shaft)	PP
③	填料式旋塞閥 (Stuffing)	PP
④	薄膜 (Diaphragm)	PTFE
⑤	本體 (Body)	PTFE
⑥	底座 (Base)	PP

規格 (Specifications)

使用流體 (Fluid)	化学品・純水・氣體 (Chemical liquid, DIW, Gas) ※1		
流體溫度 (Fluid temperature range)	10~100°C		
大氣溫度 (Atmospheric temperature)	0~40°C		
液體流動部分的材質 (Materials of liquid flowed parts)	本體 (Body)	: PTFE	
	薄膜 (Diaphragm)	: PTFE	
操作方式 (Operating system)	手動式 (Manual type)		

閥門尺寸 (Valve size)	10 (3/8")	15 (1/2")	20 (3/4")	25 (1")
通氣孔 (Orifice)	Φ8	Φ10	Φ16	Φ22
流體壓力 (Fluid pressure range)				
0.5MPa規格 (0.5MPa specification)	IN→OUT	0~0.5MPa		
	背壓 (Back pressure)	0~0.5MPa		
0.7MPa規格 (0.7MPa specification)	IN→OUT	0~0.7MPa		
	背壓 (Back pressure)	0~0.7MPa		

PFA

Flare Type
Flowell 60seriesPillar Super 300
Pillar Super flare

PTFE

Tube Fitting

PTFE
(HI-TEMP)

Tube Fitting

Other

Union

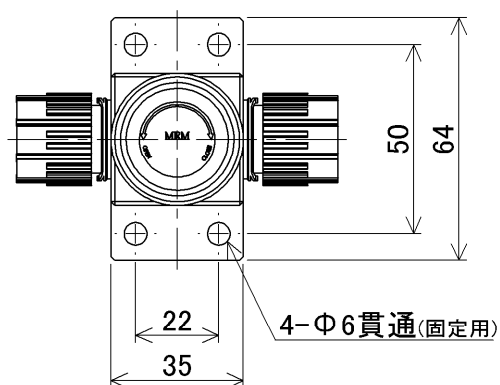
注記 (Note)

※1: 氣體の場合は、最大で1cm³/minの弁座漏れが発生する可能性があります。

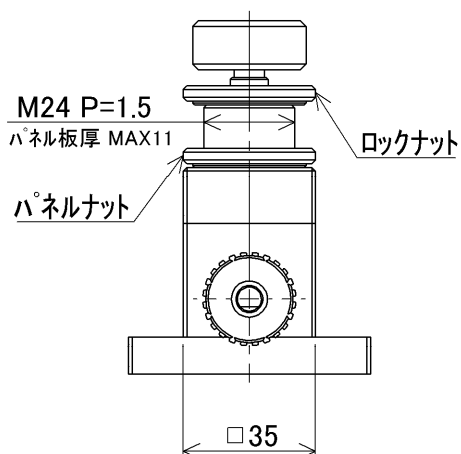
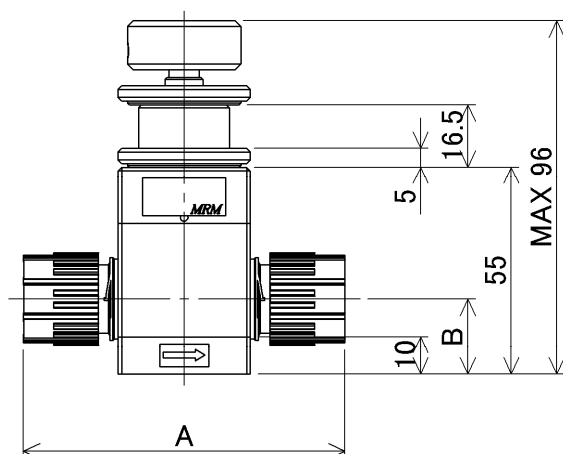
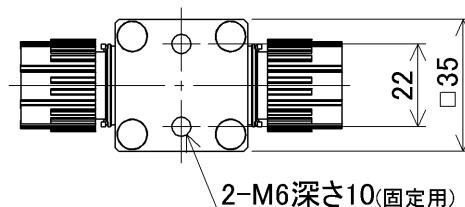
尺寸 (Dimensions)

- ▶ $\Phi 10 \times \Phi 8$, N8
- ▶ 3/8" (×1/4")

SMP2 - 10 TF - □□ - □ - □



底面取付 (Bottom mounting)

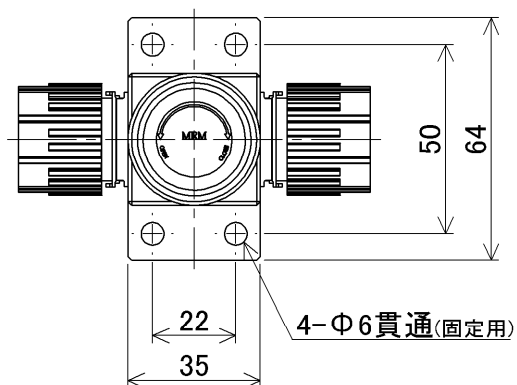


接続方式 (Connection method)	A	B
Flowell 20series	77	20
Flowell 20Aseries	77	20
Flowell 60series	113	20
Flowell 80series	86	22
Pillar Super fitting	88	20
Pillar Super 300	85	20
Pillar Super flare	84.6	20
Kurabo Final lock	93	22
Kurabo K-Fitter	75	20
Bueno Fit-One	90.4	22
Flare Type	98.6	20
Nano Link system	69.8	22
Tube Type	83	20

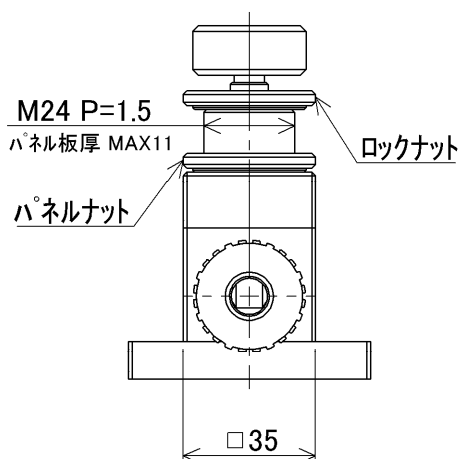
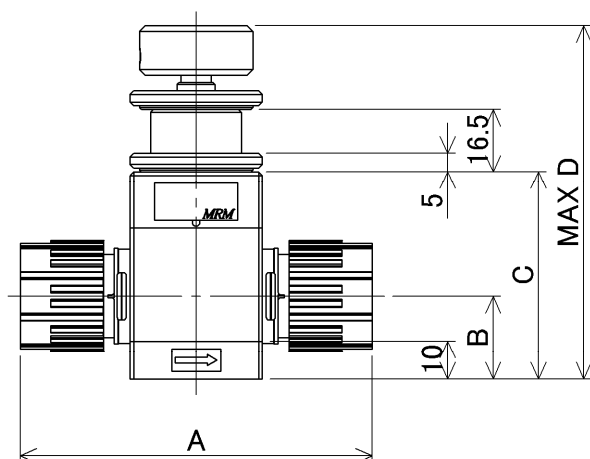
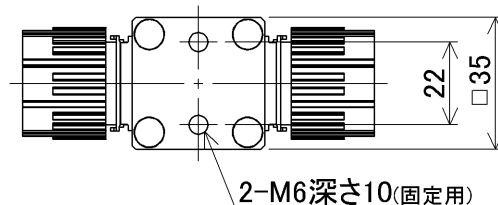
尺寸 (Dimensions)

- ▶ $\Phi 12 \times \Phi 10$, N10
- ▶ 1/2" (×3/8")

SMP2 - 15 TF - □□ - □ - □



底面取付 (Bottom mounting)



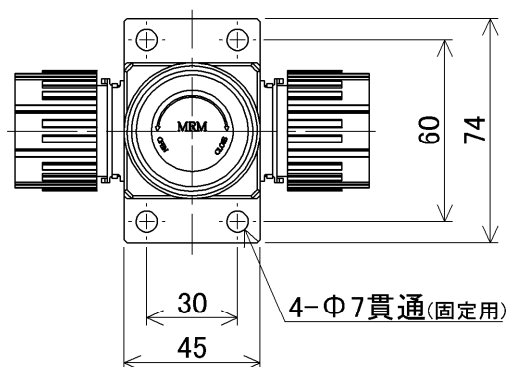
接続方式 (Connection method)	A	B	C	D
Flowell 20series	85	20	55	96
Flowell 20Aseries	85	20	55	96
Flowell 60series	113	20	55	96
Flowell 80series	93	24	57	98
Pillar Super fitting	95	22	55	96
Pillar Super 300	93	22	55	96
Pillar Super flare	92.6	22	55	96
Kurabo Final lock	95	22	55	96
Kurabo K-Fitter	81	20	55	96
Bueno Fit-One	99	22	55	96
Flare Type	102.6	20	55	96
Nano Link system	72.2	24	57	98
Tube Type	85	20	55	96

PFA	Flare Type Flowell 60series	Pillar Super 300 Pillar Super flare	PTFE	Tube Fitting	PTFE (HI-TEMP)	Tube Fitting	Other	Union
-----	--------------------------------	----------------------------------------	------	--------------	-------------------	--------------	-------	-------

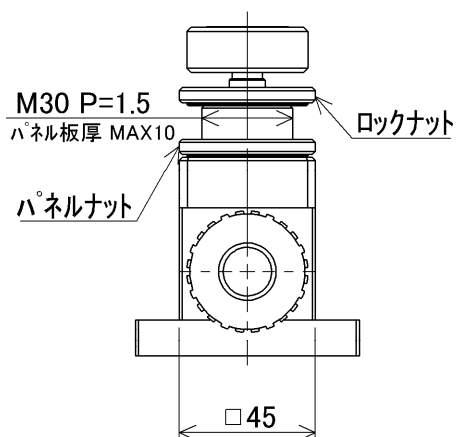
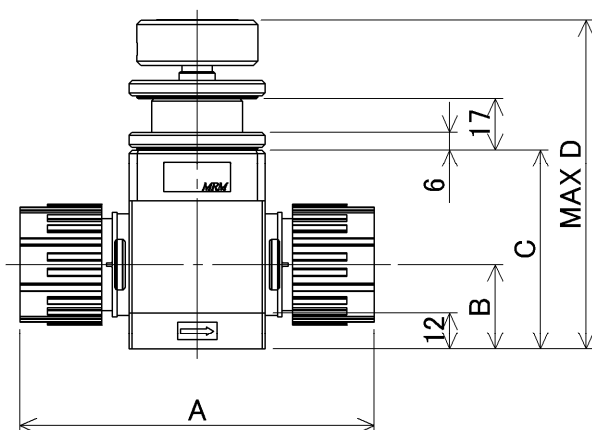
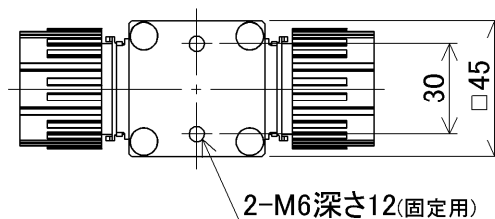
尺寸 (Dimensions)

- ▶ $\Phi 19 \times \Phi 16$, N16
- ▶ $3/4"$ ($\times 5/8"$)

SMP2 - 20 TF - □□ - □ - □



底面取付 (Bottom mounting)

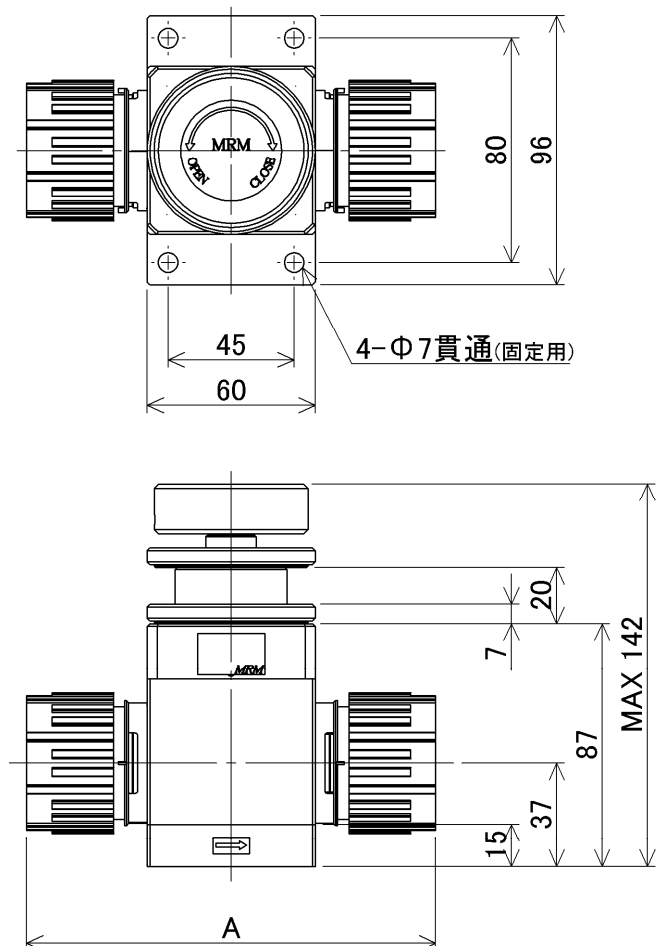


接続方式 (Connection method)	A	B	C	D
Flowell 20series	107	28	66	113
Flowell 20Aseries	107	28	66	113
Flowell 60series	133	28	66	113
Flowell 80series	118	28	66	113
Pillar Super fitting	124	28	66	113
Pillar Super 300	117	28	66	113
Pillar Super flare	116.6	28	66	113
Kurabo Final lock	114	28	66	113
Kurabo K-Fitter	99	28	66	113
Bueno Fit-One	127	28	66	113
Flare Type	118.6	28	66	113
Nano Link system	90.6	30	68	115
Tube Type	105	28	66	113

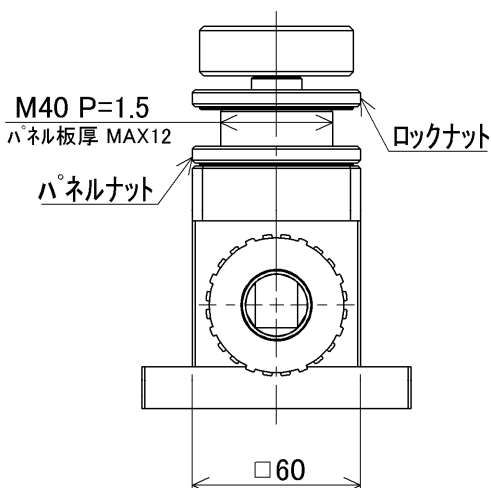
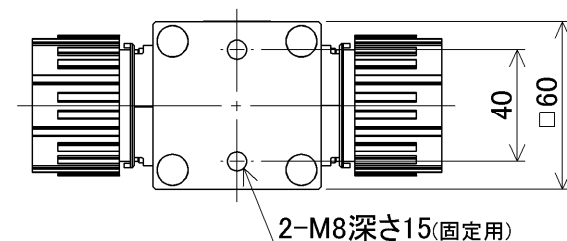
尺寸 (Dimensions)

- ▶ $\Phi 25 \times \Phi 22$, N22
- ▶ 1"($\times 7/8$ ")

SMP2 - 25 TF - □□ - □ - □



底面取付 (Bottom mounting)



接続方式 (Connection method)	A
Flowell 20series	144
Flowell 20Aseries	144
Flowell 60series	162
Flowell 80series	138
Pillar Super fitting	150
Pillar Super 300	146
Pillar Super flare	143
Kurabo Final lock	139
Kurabo K-Fitter	122
Bueno Fit-One	156
Flare Type	150
Nano Link system	110.4
Tube Type	140

PFA
Flare Type Flowell 60series
Pillar Super 300 Pillar Super flare
PTFE
Tube Fitting
PTFE (HI-TEMP)
Tube Fitting
Other
Union