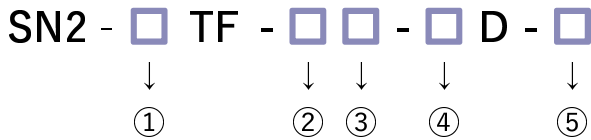


针阀 (Needle Valves)

- 手阀可回转4次，可进行精密的流量调整。
- 接流体部全部都是氟化乙烯树脂(PFA/PTFE)，抗腐蚀。
- 超低粉尘清理(表面粗糙度加工、精密洗净、平面构造)。
- MRM独自的安全构造(平面对策)。



型号表示方法 (How to order)



型号选定例 (Model Number Selection example)

SN2-015TF-SB-5.0D-B
: 1/2"(×3/8"), Pillar Super 300, 0~5.0L/min, Bottom mounting

◎ : 标准在库品 (Standard stock)
○ : 受注生产产品 (Made to order)
— : 无在库 (Not stock)

① 阀门尺寸 (Valve size)		008		010		015	
	mm	Φ6×Φ4, N4		Φ10×Φ8, N8		Φ12×Φ10, N10	
	Inch	1/4"(×5/32")		3/8"(×1/4")		1/2"(×3/8")	
② 连接方式 (Connection method)		mm	inch	mm	inch	mm	inch
F	Flowell 20series	○	○※1	○	○	○	○
FA	Flowell 20Aseries	—	—	○	○	○	○
R	Flowell 60series	○	○	○	○	○	○
H	Flowell 80series	○	○	○	○	○	○
P	Pillar Super fitting	○	○	○	○	○	○
S	Pillar Super 300	◎	◎	○	○	○	○
L	Pillar Super flare	○	○	○	○	○	○
K	Kurabo Final lock	○	○	○	○	○	○
C	Kurabo K-Fitter	○	○	○	○	○	○
B	Bueno Fit-One	○	○	○	○	○	○
X	Flare Type	—	○	—	○	—	○
NL	Yodogawa Nano Link system	○※2	—	○※2※3	—	○※2	—
T	Tube Type	○	○	○	○	○	○

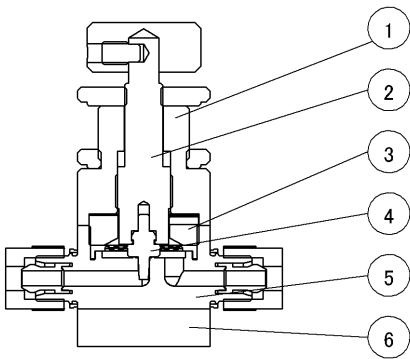
③ 管道规格 (Tube Standard)	
A	mm
B	inch

⑤ 固定 (Mounting)	
(No sign)	法兰固定 (Flange mounting)
B	底座固定 (Bottom mounting)

④ 调整范围 (Adjustment range) ※3	
1.5	0~1.5L/min
2.5	0~2.5L/min
3.5	0~3.5L/min
5.0	0~5.0L/min
7.5	0~7.5L/min

注释 (Note)
 ※1: 配管尺寸为1/4"(×Φ4.3)。
 ※2: 管道的规格不记载, 只记载NL。(例) N8: 10TF-NL
 ※3: 关于N6的详情请另行咨询。
 ※3: 压差在0.3MPa时属于调整范围内。

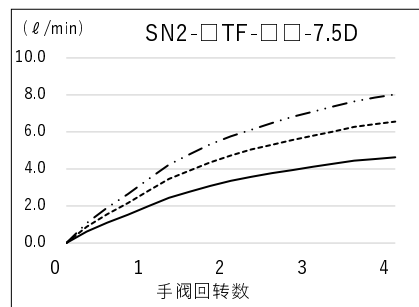
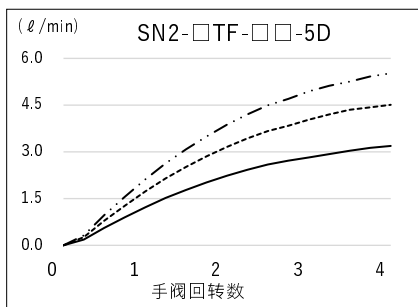
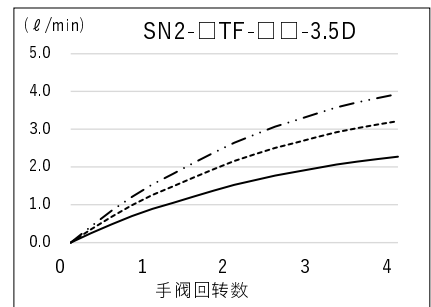
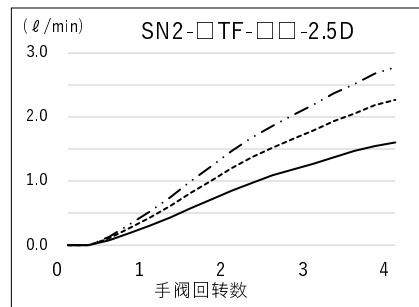
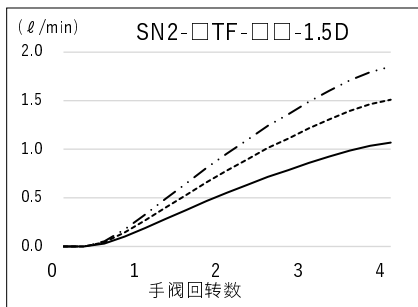
内部构造 (Internal structure)



品番 (No)	部品名 (Parts name)	材質 (Material)
①	外壳 (Case)	PP
②	升降件 (Shaft)	PP
③	填料式旋塞阀 (Stuffing)	PP
④	薄膜 (Diaphragm)	PTFE
⑤	本体 (Body)	PTFE
⑥	底座 (Base)	PP

规格 (Specifications)

使用流体 (Fluid)	化学品·纯水·气体 (Chemical liquid, DIW, Gas) ※1	
流体温度 (Fluid temperature range)	10~100°C	
大气温度 (Atmospheric temperature)	0~40°C	
液体流动部分的材质 (Materials of liquid flowed parts)	本体 (Body)	: PTFE
	薄膜 (Diaphragm)	: PTFE
操作方式 (Operating system)	手动式 (Manual type)	
调整范围 (Adjustment range)	1.5D/2.5D/3.5D	5.0D/7.5D
流通孔 (Orifice)	Φ3	Φ5
流体压力 (Fluid pressure range)		
0.3MPa规格 (0.3MPa specification)	IN→OUT	0~0.3MPa
	背压 (Back pressure)	0~0.1MPa



····· 0.3MPa
- - - - 0.2MPa
———— 0.1MPa

注释 (Note)

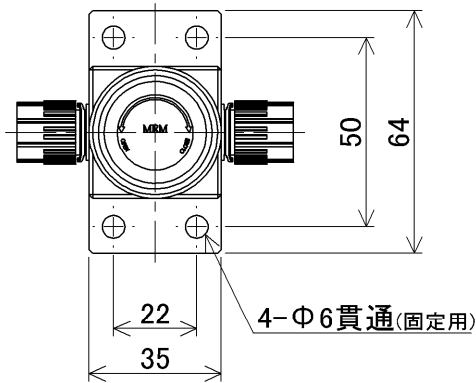
※1: 气体在最大1cm³/min的时候, 有可能会发生阀底座泄露。

PFA
Flare Type
Flowell 60series
Pillar Super 300
Pillar Super flare
PTFE
Tube Fitting
PTFE (HI-TEMP)
Tube Fitting
Other
Union

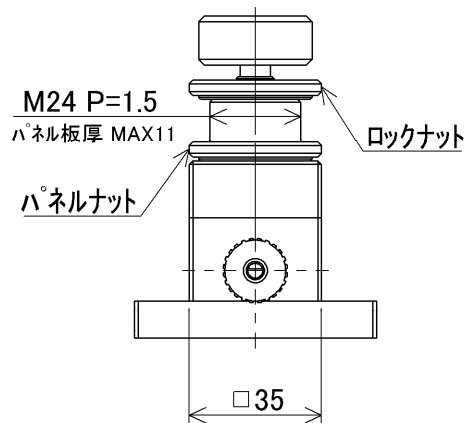
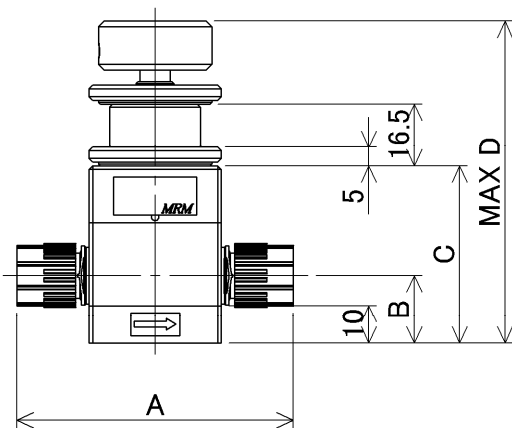
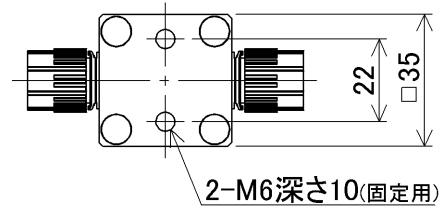
尺寸 (Dimensions)

- ▶ $\Phi 6 \times \Phi 4$, N4
- ▶ 1/4" ($\times 5/32$ ")

SN2 - 008 TF - □ □ - □ D - □



底面取付 (Bottom mounting)

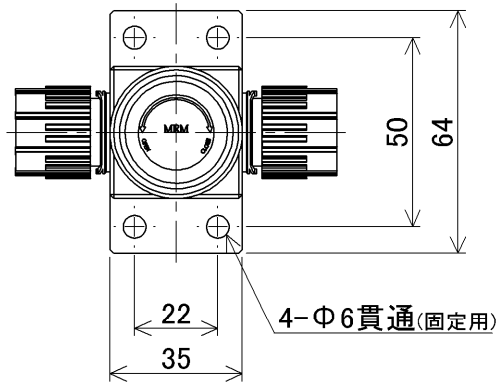


连接方式 (Connection method)	A	B	C	D
Flowell 20series	69	16	45	87.5
Flowell 60series	97	16	45	87.5
Flowell 80series	75	18	47	89.5
Pillar Super fitting	74	18	47	89.5
Pillar Super 300	73	18	47	89.5
Pillar Super flare	72.8	18	47	89.5
Kurabo Final lock	76	18	47	89.5
Kurabo K-Fitter	75	18	47	89.5
Bueno Fit-One	82	18	47	89.5
Flare Type	93	18	47	89.5
Nano Link system	57.4	18	47	89.5
Tube Type	69	16	45	87.5

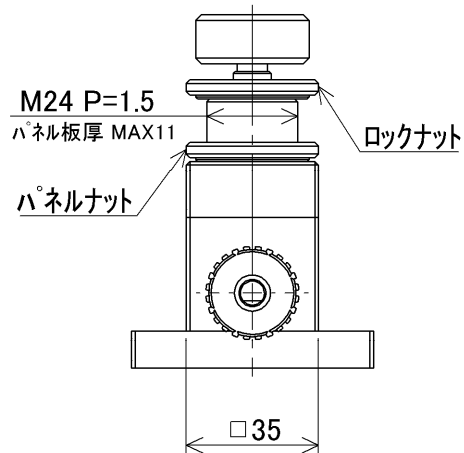
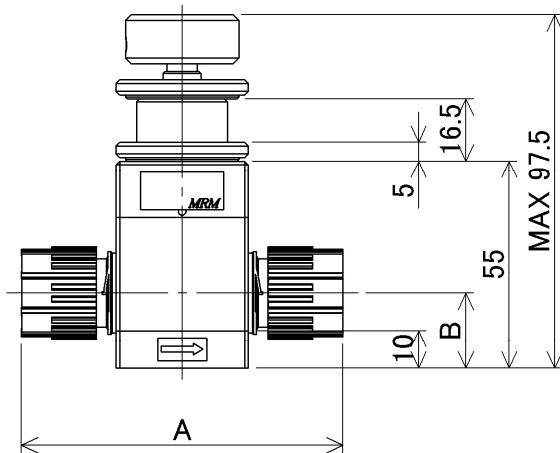
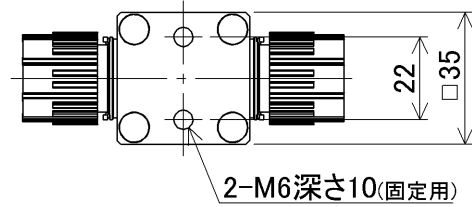
尺寸 (Dimensions)

- ▶ $\Phi 10 \times \Phi 8$, N8
- ▶ $3/8"$ ($\times 1/4"$)

SN2 - 010 TF - □□ - □D - □



底面取付 (Bottom mounting)



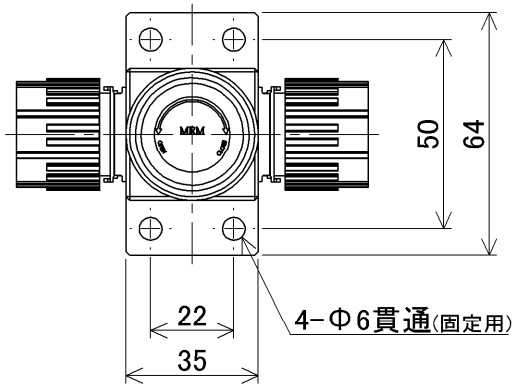
连接方式 (Connection method)	A	B
Flowell 20series	77	20
Flowell 20Aseries	77	20
Flowell 60series	113	20
Flowell 80series	86	22
Pillar Super fitting	88	20
Pillar Super 300	85	20
Pillar Super flare	84.6	20
Kurabo Final lock	93	22
Kurabo K-Fitter	75	20
Bueno Fit-One	90.4	22
Flare Type	98.6	20
Nano Link system	69.8	22
Tube Type	83	20

PFA
Flare Type Flowell 60series
Pillar Super 300 Pillar Super flare
PTFE
Tube Fitting
PTFE (HI-TEMP)
Tube Fitting
Other
Union

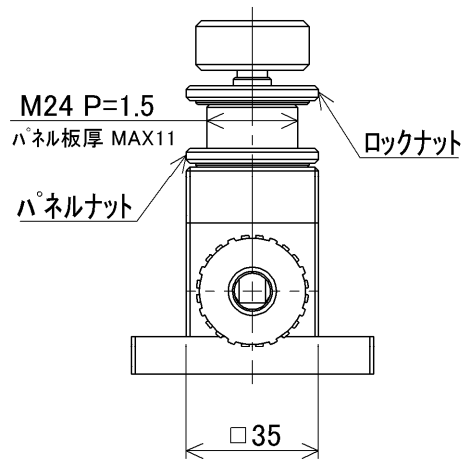
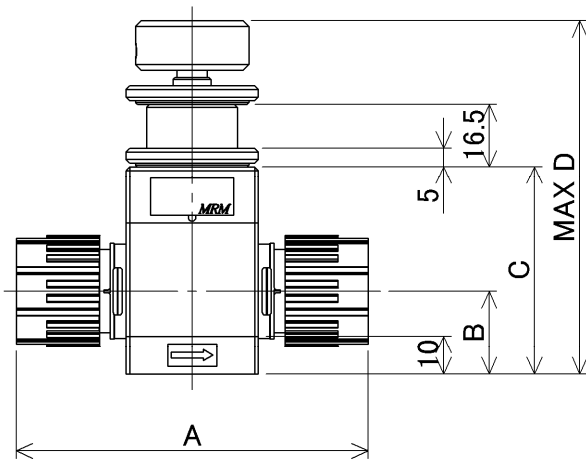
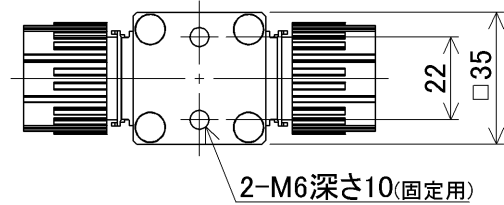
尺寸 (Dimensions)

- ▶ $\Phi 12 \times \Phi 10$, N10
- ▶ 1/2"($\times 3/8$ ")

SN2 - **015** TF - □□ - □D - □



底面取付 (Bottom mounting)



连接方式 (Connection method)	A	B	C	D
Flowell 20series	85	20	55	97.5
Flowell 20Aseries	85	20	55	97.5
Flowell 60series	113	20	55	97.5
Flowell 80series	93	24	57	99.5
Pillar Super fitting	95	22	55	97.5
Pillar Super 300	93	22	55	97.5
Pillar Super flare	92.6	22	55	97.5
Kurabo Final lock	95	22	55	97.5
Kurabo K-Fitter	81	20	55	97.5
Bueno Fit-One	99	22	55	97.5
Flare Type	102.6	20	55	97.5
Nano Link system	72.2	24	57	99.5
Tube Type	85	20	55	97.5

PFA	Flare Type Flowell 60series	Pillar Super 300 Pillar Super flare	PTFE	Tube Fittings	PTFE (HI-TEMP)	Tube Fittings	Other	Union
-----	--------------------------------	--	------	---------------	-------------------	---------------	-------	-------