

手动阀 (Manual Valves)

- 可对应各种连接方式。
- 接流体部全部都是氟化乙烯树脂(PFA/PTFE)，抗腐蚀。
- 超低粉尘清理(表面粗糙度加工、精密洗净、平面构造)。
- MRM独自的安全构造(高压对策热循环对策)。

型号表示方法 (How to order)

SMH2 - □ TF - □ □ - □

↓ ↓ ↓ ↓

① ② ③ ④



型号选定例 (Model Number Selection example)

SMH2-15TF-SB-B

: 1/2"(×3/8"), Pillar Super 300, Bottom mounting

◎ : 标准在庫品 (Standard stock)
○ : 受注生産品 (Made to order)
— : 无在庫 (Not stock)

① 阀门尺寸 (Valve size)		8		8TF6 ※1		10		15		20		25	
	mm	Φ6 × Φ4 , N4		Φ8 × Φ6 , N6		Φ10 × Φ8 , N8		Φ12 × Φ10 , N10		Φ19 × Φ16 , N16		Φ25 × Φ22 , N22	
	inch	1/4"(×5/32")				3/8"(×1/4")		1/2"(×3/8")		3/4"(×5/8")		1"(×7/8")	
② 连接方式 (Connection method)		mm	inch	mm	inch	mm	inch	mm	inch	mm	inch	mm	inch
F	Flowell 20series	◎	◎ ※2	◎	—	◎	◎	◎	◎	◎	◎	◎	◎
FA	Flowell 20Aseries	—	—	—	—	◎	◎	◎	◎	◎	◎	◎	◎
H	Flowell 80series	○	○	—	—	○	○	○	○	○	○	○	○
P	Pillar Super fitting	○	○	—	—	○	○	○	○	○	○	○	○
S	Pillar Super 300	◎	◎	○	—	◎	◎	◎	◎	◎	◎	◎	◎
K	Kurabo Final lock	○	○	—	—	○	○	○	○	○	○	○	○
C	Kurabo K-Fitter	○	○	—	—	○	○	○	○	○	○	○	○
B	Bueno Fit-One	○	○	○	—	○	○	○	○	○	○	○	○
NL	Yodogawa Nano Link system	○ ※3	—	○ ※3	—	○ ※3	—	○ ※3	—	○ ※3	—	○ ※3	—
T	Tube Type	○	○	○	—	○	○	○	○	○	○	○	○
③ 管道规格 (Tube Standard)		④ 固定 (Mounting)											
A	mm	(No sign)		法兰固定 (Flange mounting)									
B	inch	B		底座固定 (Bottom mounting)									

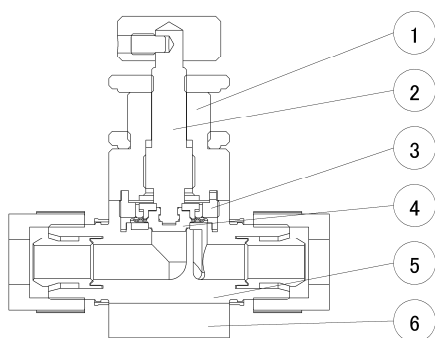
注释 (Note)

※1: 请在“TF”的前后“分别记入8”和“6”记入。

※2: 配管尺寸为1/4"(×Φ4.3)。

※3: 管道规格并不记载, 只记载NL。(例) N4: 8TF-NL

内部构造 (Internal structure)



品名 (No)	部品名 (Parts name)	材質 (Material)
①	外壳 (Case)	PPS
②	升降件 (Shaft)	PPS
③	填料式旋塞阀 (Stuffing)	PPS
④	薄膜 (Diaphragm)	PTFE
⑤	本体 (Body)	PTFE
⑥	底座 (Base)	PPS

规格 (Specifications)

使用流体 (Fluid)	化学品·纯水·气体 (Chemical liquid, DIW, Gas) ※1					
流体温度 (Fluid temperature range)	10~180°C					
大气温度 (Atmospheric temperature)	0~60°C					
液体流动部分的材质 (Materials of liquid flowed parts)	本体 (Body)	: PTFE				
	薄膜 (Diaphragm)	: PTFE				
操作方式 (Operating system)	手动式 (Manual type)					
阀门尺寸 (Valve size)	8 (1/4")	8TF6	10 (3/8")	15 (1/2")	20 (3/4")	25 (1")
流通孔 (Orifice)	Φ7	Φ7	Φ8	Φ10	Φ16	Φ22
流体压力 (Fluid pressure range)						
0.5MPa规格 (0.5MPa specification)	IN→OUT	0~0.5MPa				
	背压 (Back pressure)	0~0.5MPa				

PFA
Flare Type Flowell 60series
Pillar Super 300 Pillar Super flare
PTFE
Tube Fitting
PTFE (HI-TEMP)
Tube Fitting
Other
Union

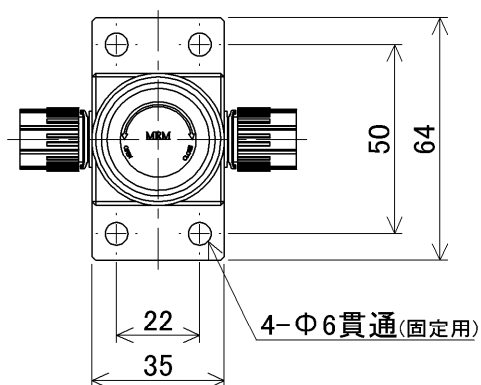
注释 (Note)

※1: 气体在最大1cm³/min的时候, 有可能会发生阀底座泄露。

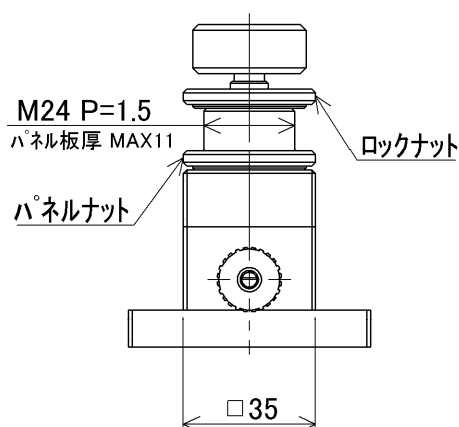
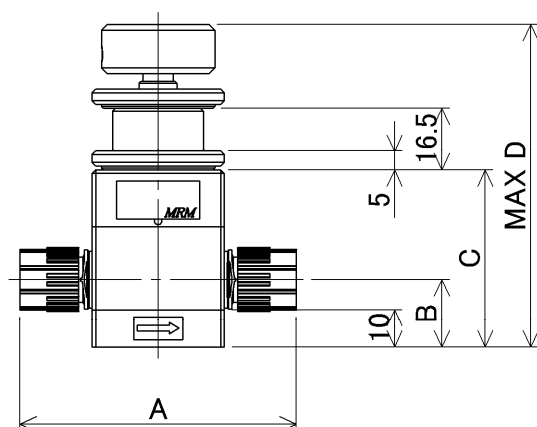
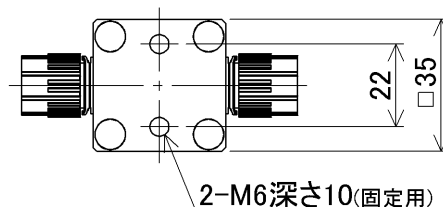
尺寸(Dimensions)

- ▶ $\Phi 6 \times \Phi 4$, N4
- ▶ 1/4"($\times 5/32$ ")

SMH2 - 8 TF - □□ - □



底面取付 (Bottom mounting)

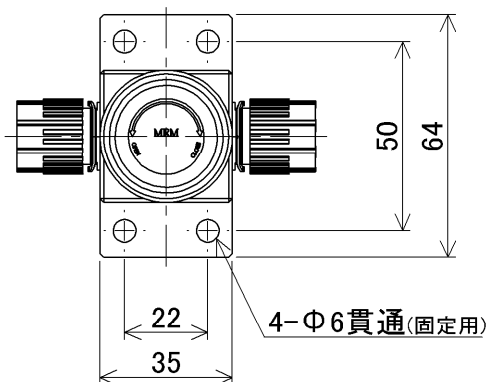


连接方式 (Connection method)	A	B	C	D
Flowell 20series	69	16	45	86
Flowell 80series	75	18	47	88
Pillar Super fitting	74	18	47	88
Pillar Super 300	73	18	47	88
Kurabo Final lock	76	18	47	88
Kurabo K-Fitter	75	18	47	88
Bueno Fit-One	82	18	47	88
Nano Link system	57.4	18	47	88
Tube Type	69	16	45	86

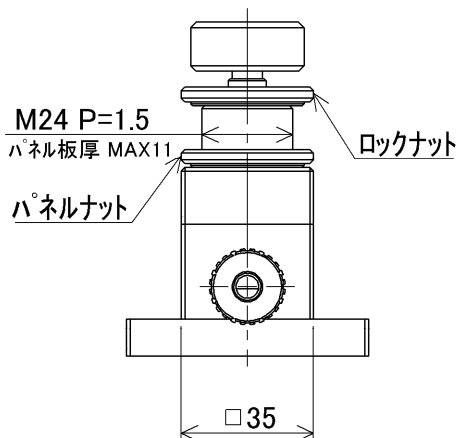
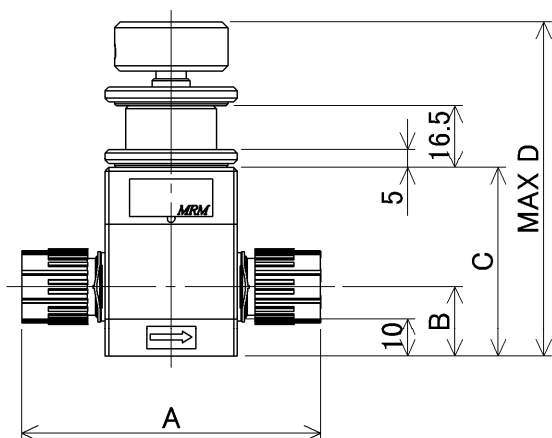
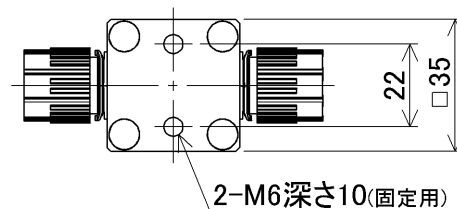
尺寸 (Dimensions)

▶ $\Phi 8 \times \Phi 6$, N6

SMH2 - 8 TF 6 - □□ - □



底面取付 (Bottom mounting)



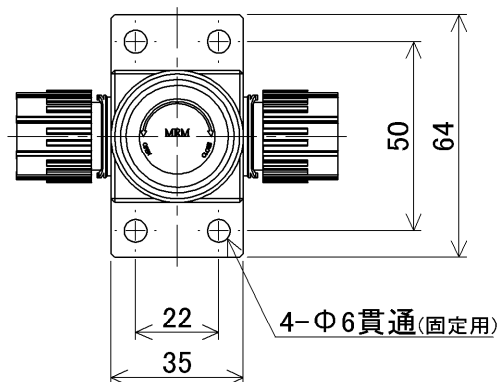
连接方式 (Connection method)	A	B	C	D
Flowell 20series	71	17	47	88
Pillar Super 300	79	18.5	50	91
Bueno Fit-One	90.4	22	55	96
Nano Link system	65.2	22	55	96
Tube Type	71	16	45	86

PFA	Flare Type Flowell 60series	Pillar Super 300 Pillar Super flare	PTFE	Tube Fitting	PTFE (HI-TEMP)	Tube Fitting	Other	Union
-----	--------------------------------	----------------------------------------	------	--------------	-------------------	--------------	-------	-------

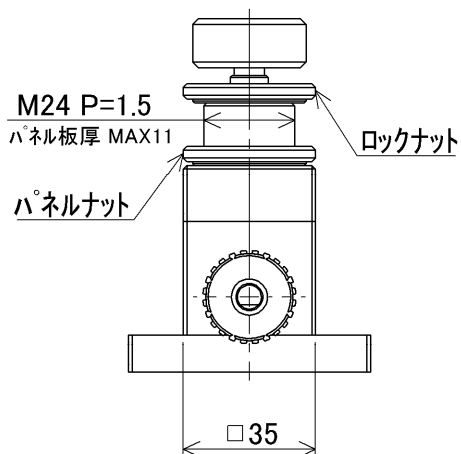
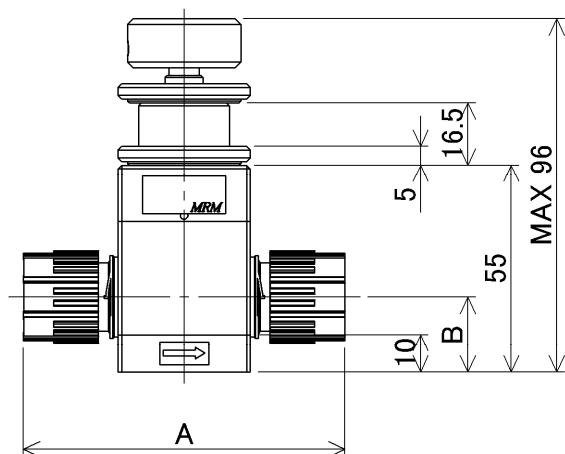
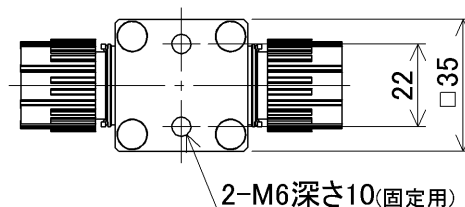
尺寸 (Dimensions)

- ▶ $\Phi 10 \times \Phi 8$, N8
- ▶ 3/8"($\times 1/4$ "

SMH2 - 10 TF - □□ - □



底面取付 (Bottom mounting)

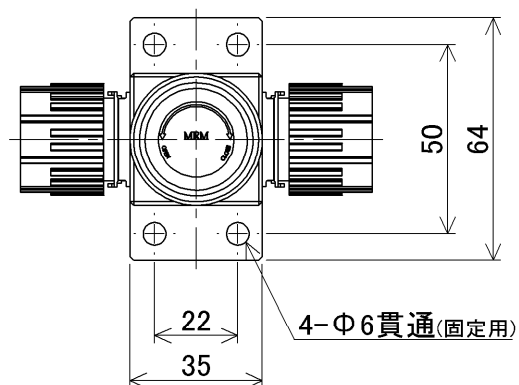


连接方式 (Connection method)	A	B
Flowell 20series	77	20
Flowell 20Aseries	77	20
Flowell 80series	86	22
Pillar Super fitting	88	20
Pillar Super 300	85	20
Kurabo Final lock	93	22
Kurabo K-Fitter	75	20
Bueno Fit-One	90.4	22
Nano Link system	69.8	22
Tube Type	83	20

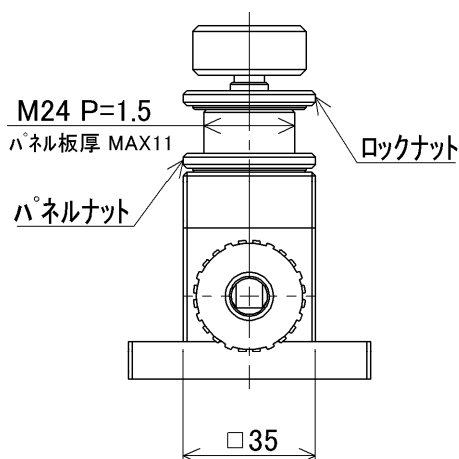
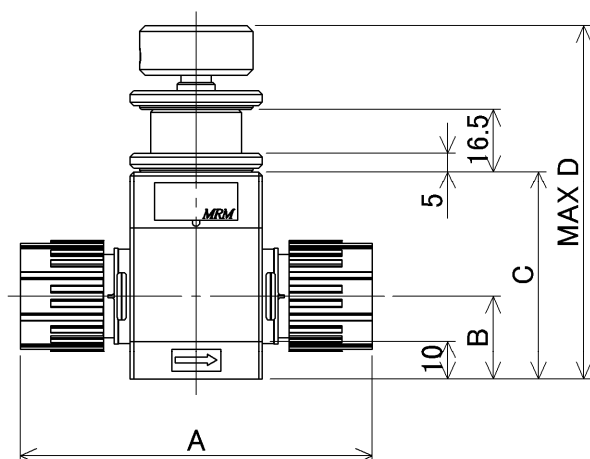
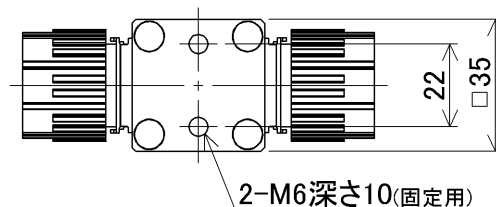
尺寸 (Dimensions)

- ▶ $\Phi 12 \times \Phi 10$, N10
- ▶ 1/2"($\times 3/8$ ")

SMH2 - 15 TF - □□ - □



底面取付 (Bottom mounting)



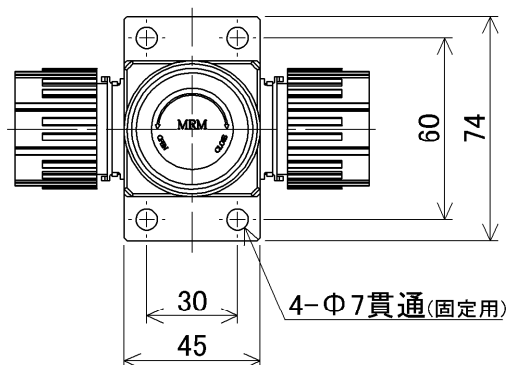
连接方式 (Connection method)	A	B	C	D
Flowell 20series	85	20	55	96
Flowell 20Aseries	85	20	55	96
Flowell 80series	93	24	57	98
Pillar Super fitting	95	22	55	96
Pillar Super 300	93	22	55	96
Kurabo Final lock	95	22	55	96
Kurabo K-Fitter	81	20	55	96
Bueno Fit-One	99	22	55	96
Nano Link system	72.2	24	57	98
Tube Type	85	20	55	96

PFA	Flare Type Flowell 60series	Pillar Super 300 Pillar Super flare	PTFE	Tube Fitting	PTFE (HI-TEMP)	Tube Fitting	Other	Union
-----	--------------------------------	----------------------------------------	------	--------------	-------------------	--------------	-------	-------

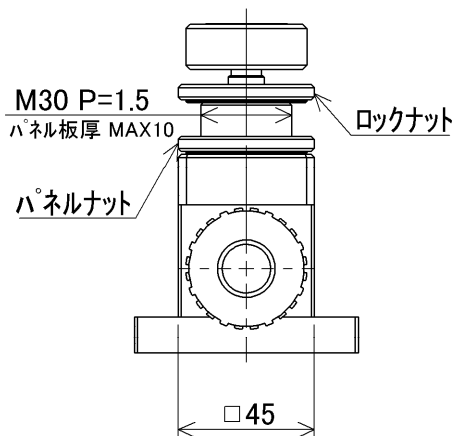
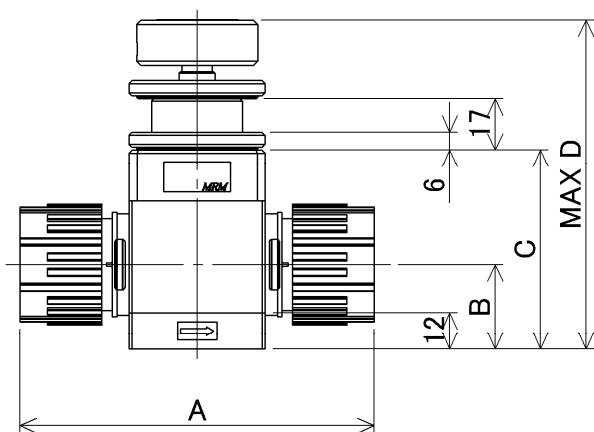
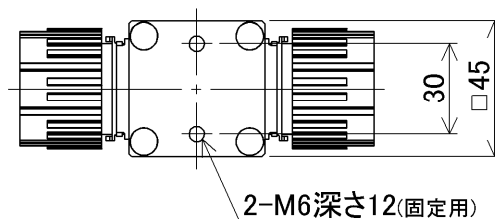
尺寸 (Dimensions)

- ▶ $\Phi 19 \times \Phi 16$, N16
- ▶ $3/4"$ ($\times 5/8"$)

SMH2 - 20 TF - □□ - □



底面取付 (Bottom mounting)

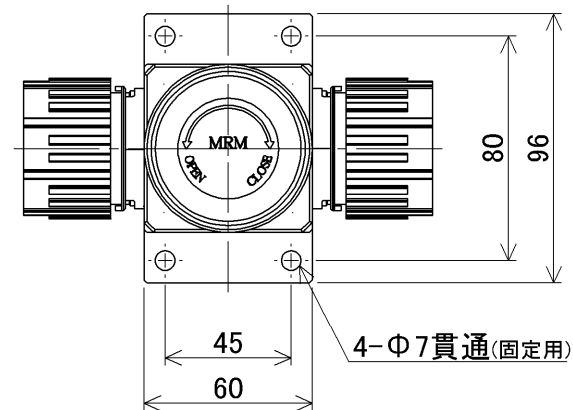


连接方式 (Connection method)	A	B	C	D
Flowell 20series	107	28	66	112
Flowell 20Aseries	107	28	66	112
Flowell 80series	118	28	66	112
Pillar Super fitting	124	28	66	112
Pillar Super 300	117	28	66	112
Kurabo Final lock	114	28	66	112
Kurabo K-Fitter	99	28	66	112
Bueno Fit-One	127	28	66	112
Nano Link system	90.6	30	68	115
Tube Type	105	28	66	112

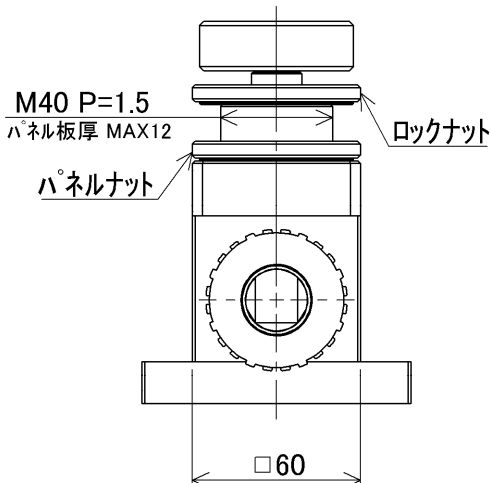
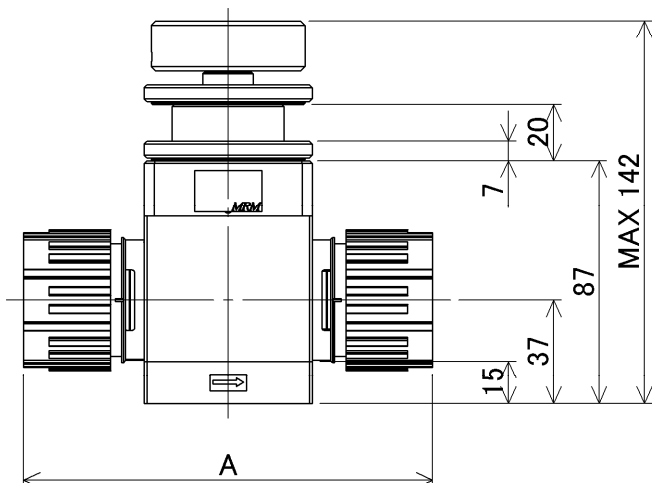
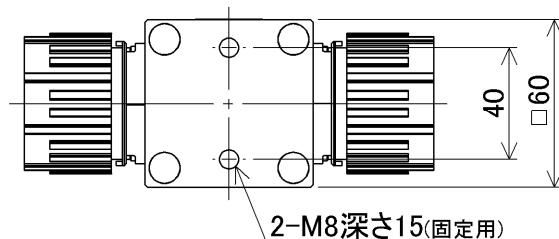
尺寸 (Dimensions)

▶ $\Phi 25 \times \Phi 22$, N22
▶ 1" ($\times 7/8$ ")

SMH2 - 25 TF - □□ - □



底面取付 (Bottom mounting)



连接方式 (Connection method)	A
Flowell 20series	144
Flowell 20Aseries	144
Flowell 80series	138
Pillar Super fitting	150
Pillar Super 300	146
Kurabo Final lock	139
Kurabo K-Fitter	122
Bueno Fit-One	156
Nano Link system	110.4
Tube Type	140

PFA

Flare Type
Flowell 60series

Pillar Super 300
Pillar Super flare

PTFE

Tube Fitting

PTFE
(HI-TEMP)

Tube Fitting

Other

Union