

手動閥 (Manual Valves)

- 各種継手対応。
- 接觸液體的部分為氟化乙烯樹脂(PTFE)，抗腐蝕。
- 低粉塵清理(高面粗度加工、精密洗淨、平面構造)。
- MRM独自の安全構造(高壓対策及熱循環対策)。

型番表示方法 (How to order)

SMH2 - □ TF - □ □ - □

↓ ↓ ↓ ↓

① ② ③ ④



型番選擇例子 (Model Number Selection example)

SMH2-15TF-SB-B

: 1/2"(×3/8"), Pillar Super 300, Bottom mounting

◎ : 標準在庫品 (Standard stock)
○ : 受注生産品 (Made to order)
— : 無在庫 (Not stock)

① 閥門尺寸 (Valve size)		8		8TF6 ※1		10		15		20		25	
	mm	Φ6 × Φ4 , N4		Φ8 × Φ6 , N6		Φ10 × Φ8 , N8		Φ12 × Φ10 , N10		Φ19 × Φ16 , N16		Φ25 × Φ22 , N22	
	inch	1/4"(×5/32")				3/8"(×1/4")		1/2"(×3/8")		3/4"(×5/8")		1"(×7/8")	
② 接續方式 (Connection method)		mm	inch	mm	inch	mm	inch	mm	inch	mm	inch	mm	inch
F	Flowell 20series	◎	◎ ※2	◎	—	◎	◎	◎	◎	◎	◎	◎	◎
FA	Flowell 20Aseries	—	—	—	—	◎	◎	◎	◎	◎	◎	◎	◎
H	Flowell 80series	○	○	—	—	○	○	○	○	○	○	○	○
P	Pillar Super fitting	○	○	—	—	○	○	○	○	○	○	○	○
S	Pillar Super 300	◎	◎	○	—	◎	◎	◎	◎	◎	◎	◎	◎
K	Kurabo Final lock	○	○	—	—	○	○	○	○	○	○	○	○
C	Kurabo K-Fitter	○	○	—	—	○	○	○	○	○	○	○	○
B	Bueno Fit-One	○	○	○	—	○	○	○	○	○	○	○	○
NL	Yodogawa Nano Link system	○ ※3	—	○ ※3	—	○ ※3	—	○ ※3	—	○ ※3	—	○ ※3	—
T	Tube Type	○	○	○	—	○	○	○	○	○	○	○	○
③ 管道規格 (Tube Standard)		④ 固定 (Mounting)											
A	mm	(No sign)						法蘭固定 (Flange mounting)					
B	inch	B						底面固定 (Bottom mounting)					

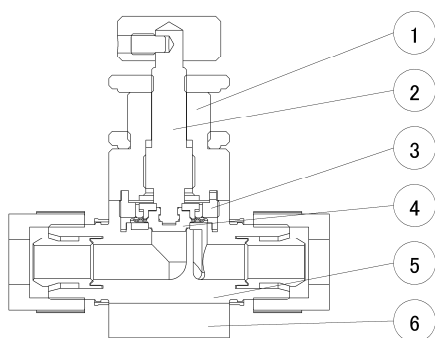
注記 (Note)

※1 : 請在“TF”前後記入“8”和“6”。

※2 : 配管尺寸1/4"(×Φ4.3)。

※3 : 管道規格并不記載，只記載NL。(例) N4 : 8TF-NL

內部構造 (Internal structure)



品番 (No)	零件名 (Parts name)	材質 (Material)
①	外殼 (Case)	PPS
②	升降件 (Shaft)	PPS
③	填料式旋塞閥 (Stuffing)	PPS
④	薄膜 (Diaphragm)	PTFE
⑤	本體 (Body)	PTFE
⑥	底座 (Base)	PPS

規格 (Specifications)

使用流體 (Fluid)	化學品・純水・氣體 (Chemical liquid, DIW, Gas) ※1					
流體溫度 (Fluid temperature range)	10~180°C					
大氣溫度 (Atmospheric temperature)	0~60°C					
液體流動部分的材質 (Materials of liquid flowed parts)	本體 (Body)			: PTFE		
	薄膜 (Diaphragm)			: PTFE		
操作方式 (Operating system)	手動式 (Manual type)					
閥門尺寸 (Valve size)	8 (1/4")	8TF6	10 (3/8")	15 (1/2")	20 (3/4")	25 (1")
通氣孔 (Orifice)	Φ7	Φ7	Φ8	Φ10	Φ16	Φ22
流體壓力 (Fluid pressure range)						
0.5MPa規格 (0.5MPa specification)	IN→OUT		0~0.5MPa			
	背壓 (Back pressure)		0~0.5MPa			

PFA

Flare Type
Flowell 60seriesPillar Super 300
Pillar Super flare

PTFE

Tube Fitting

PTFE
(HI-TEMP)

Tube Fitting

Other

Union

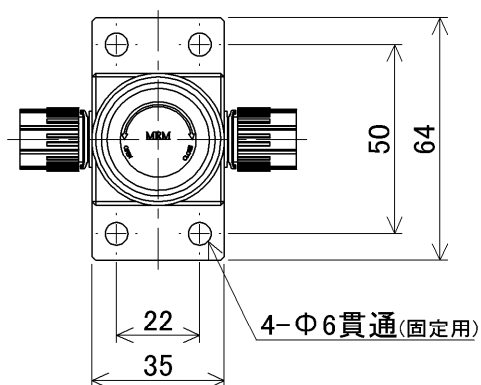
注記 (Note)

※1: 氣體在最大で1cm³/min時, 有發生閥底泄露的可能性。

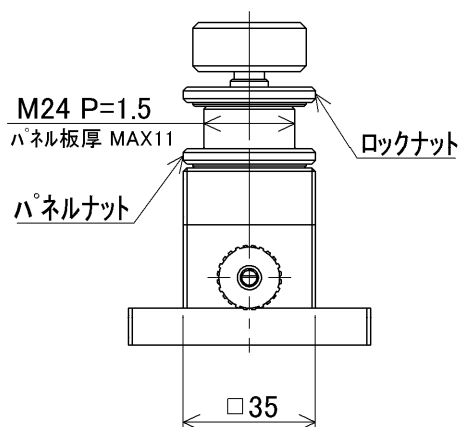
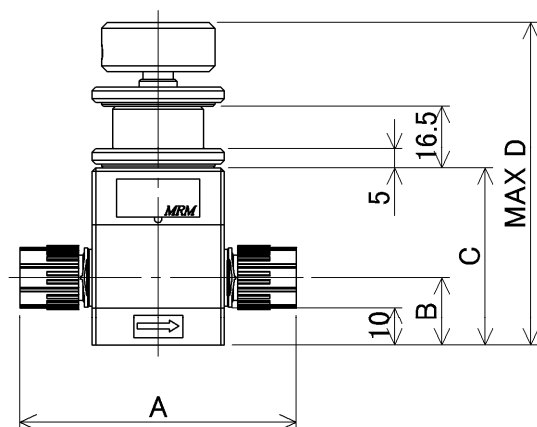
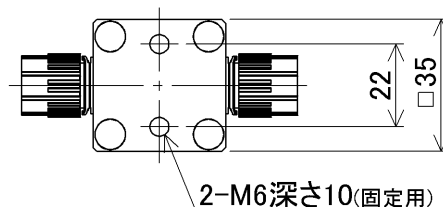
尺寸 (Dimensions)

- ▶ $\Phi 6 \times \Phi 4$, N4
- ▶ 1/4" ($\times 5/32$ ")

SMH2 - 8 TF - □□ - □



底面取付 (Bottom mounting)

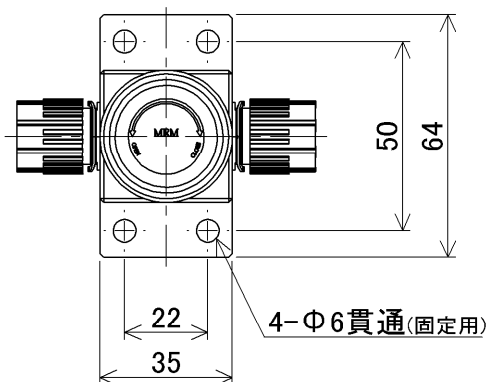


接続方式 (Connection method)	A	B	C	D
Flowell 20series	69	16	45	86
Flowell 80series	75	18	47	88
Pillar Super fitting	74	18	47	88
Pillar Super 300	73	18	47	88
Kurabo Final lock	76	18	47	88
Kurabo K-Fitter	75	18	47	88
Bueno Fit-One	82	18	47	88
Nano Link system	57.4	18	47	88
Tube Type	69	16	45	86

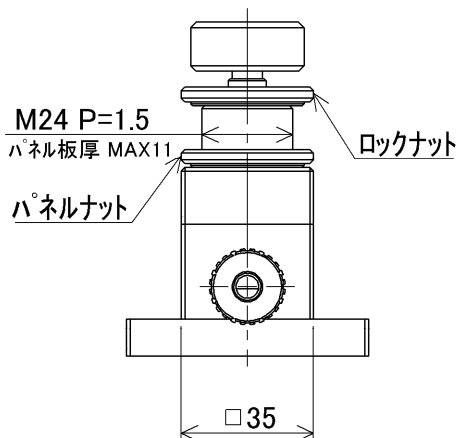
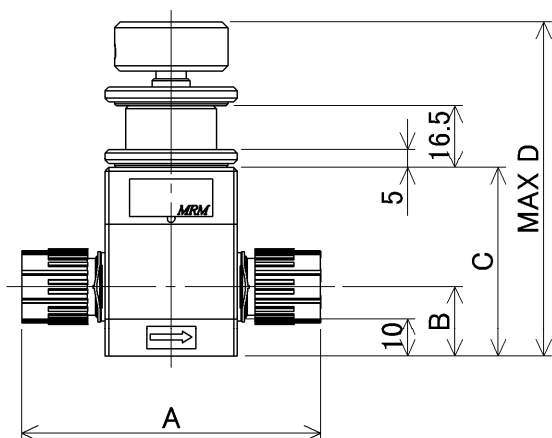
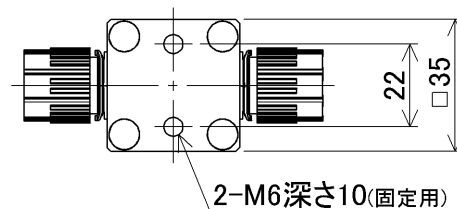
尺寸 (Dimensions)

▶ $\Phi 8 \times \Phi 6$, N6

SMH2 - 8 TF 6 - □□ - □



底面取付 (Bottom mounting)



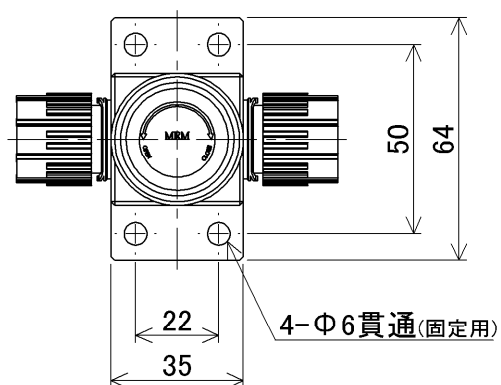
接続方式 (Connection method)	A	B	C	D
Flowell 20series	71	17	47	88
Pillar Super 300	79	18.5	50	91
Bueno Fit-One	90.4	22	55	96
Nano Link system	65.2	22	55	96
Tube Type	71	16	45	86

PFA	Flare Type Flowell 60series	Pillar Super 300 Pillar Super flare	PTFE	Tube Fitting	PTFE (HI-TEMP)	Tube Fitting	Other	Union
-----	--------------------------------	--	------	--------------	-------------------	--------------	-------	-------

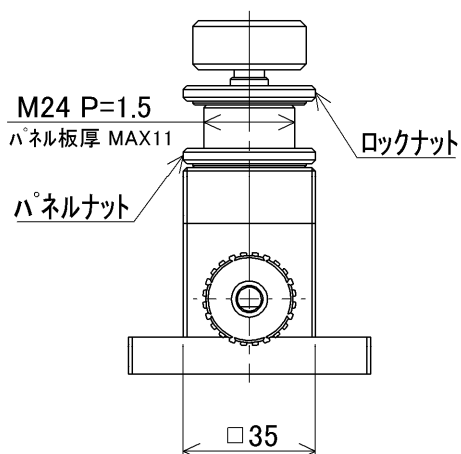
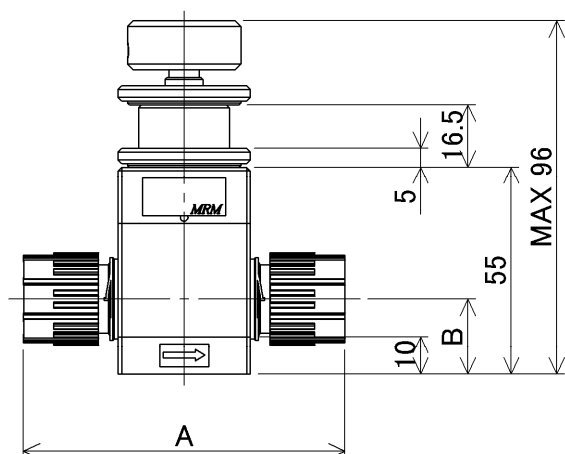
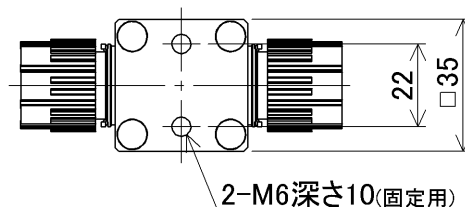
尺寸 (Dimensions)

- ▶ $\Phi 10 \times \Phi 8$, N8
- ▶ 3/8"($\times 1/4$ "

SMH2 - 10 TF - □□ - □



底面取付 (Bottom mounting)

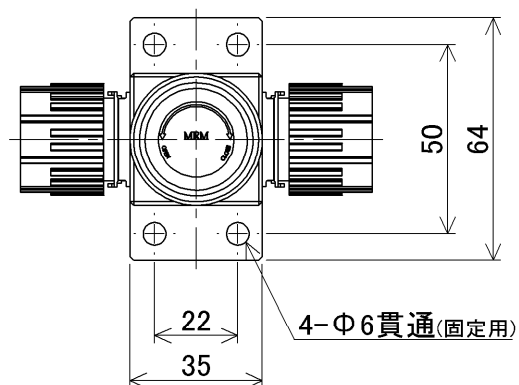


接続方式 (Connection method)	A	B
Flowell 20series	77	20
Flowell 20Aseries	77	20
Flowell 80series	86	22
Pillar Super fitting	88	20
Pillar Super 300	85	20
Kurabo Final lock	93	22
Kurabo K-Fitter	75	20
Bueno Fit-One	90.4	22
Nano Link system	69.8	22
Tube Type	83	20

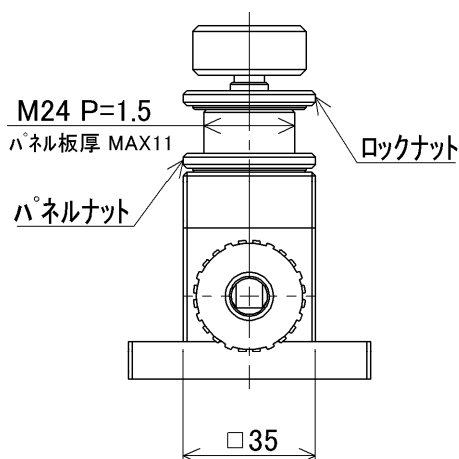
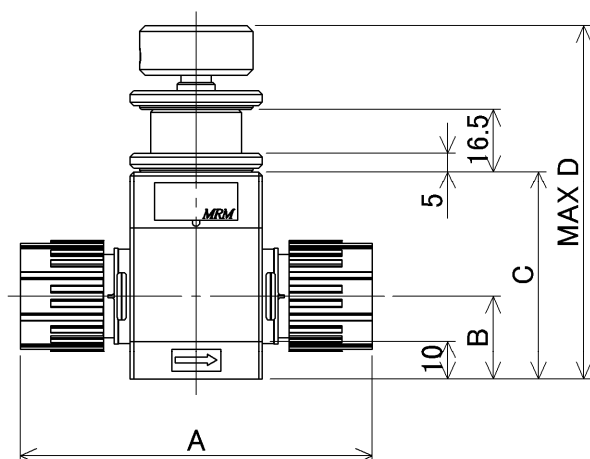
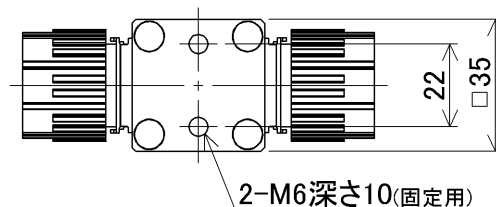
尺寸 (Dimensions)

- ▶ $\Phi 12 \times \Phi 10$, N10
- ▶ $1/2'' (\times 3/8'')$

SMH2 - 15 TF - □□ - □



底面取付 (Bottom mounting)



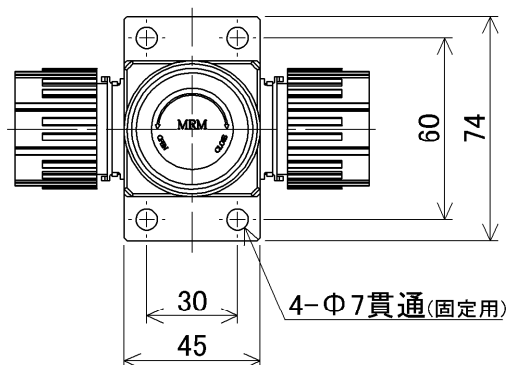
接続方式 (Connection method)	A	B	C	D
Flowell 20series	85	20	55	96
Flowell 20Aseries	85	20	55	96
Flowell 80series	93	24	57	98
Pillar Super fitting	95	22	55	96
Pillar Super 300	93	22	55	96
Kurabo Final lock	95	22	55	96
Kurabo K-Fitter	81	20	55	96
Bueno Fit-One	99	22	55	96
Nano Link system	72.2	24	57	98
Tube Type	85	20	55	96

PFA	Flare Type Flowell 60series	Pillar Super 300 Pillar Super flare	PTFE	Tube Fitting	PTFE (HI-TEMP)	Tube Fitting	Other	Union
-----	--------------------------------	--	------	--------------	-------------------	--------------	-------	-------

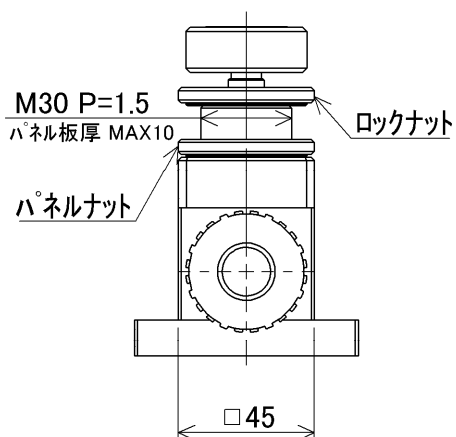
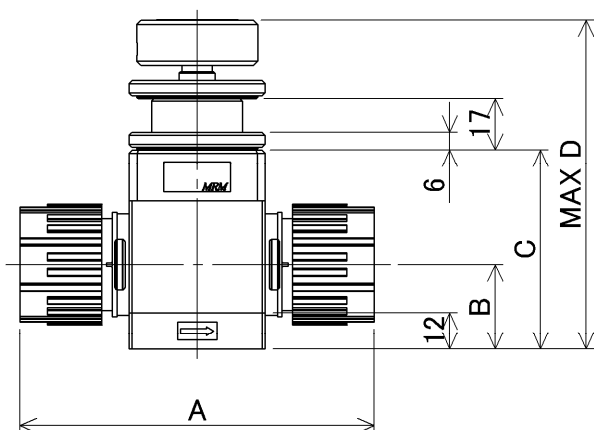
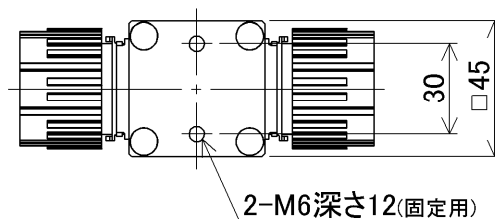
尺寸 (Dimensions)

- ▶ $\Phi 19 \times \Phi 16$, N16
- ▶ $3/4"$ ($\times 5/8"$)

SMH2 - 20 TF - □□ - □



底面取付 (Bottom mounting)

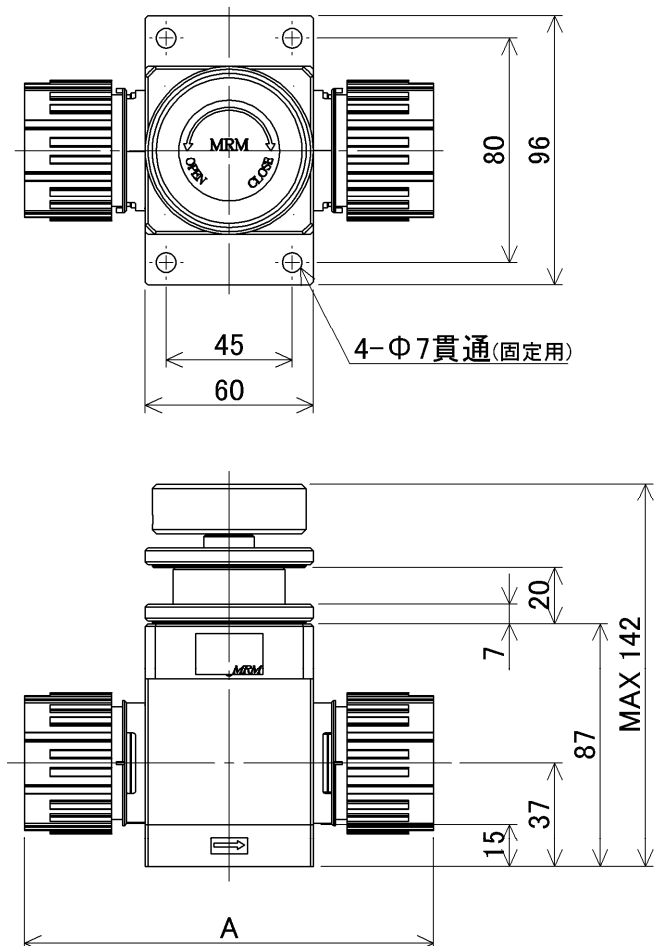


接続方式 (Connection method)	A	B	C	D
Flowell 20series	107	28	66	112
Flowell 20Aseries	107	28	66	112
Flowell 80series	118	28	66	112
Pillar Super fitting	124	28	66	112
Pillar Super 300	117	28	66	112
Kurabo Final lock	114	28	66	112
Kurabo K-Fitter	99	28	66	112
Bueno Fit-One	127	28	66	112
Nano Link system	90.6	30	68	115
Tube Type	105	28	66	112

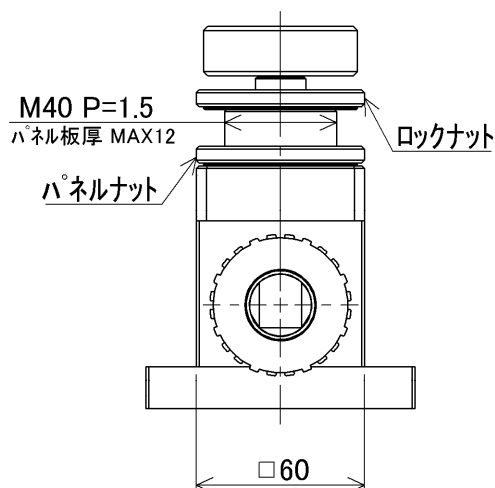
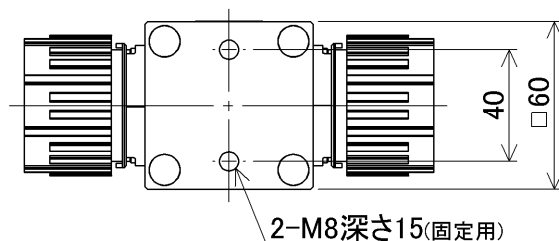
尺寸 (Dimensions)

- ▶ $\Phi 25 \times \Phi 22$, N22
- ▶ 1"($\times 7/8$ ")

SMH2 - 25 TF - □□ - □



底面取付 (Bottom mounting)



接続方式 (Connection method)	A
Flowell 20series	144
Flowell 20Aseries	144
Flowell 80series	138
Pillar Super fitting	150
Pillar Super 300	146
Kurabo Final lock	139
Kurabo K-Fitter	122
Bueno Fit-One	156
Nano Link system	110.4
Tube Type	140

PFA	Flare Type Flowell 60series	Pillar Super 300 Pillar Super flare	PTFE	Tube Fitting	PTFE (HI-TEMP)	Tube Fitting	Other
							Union