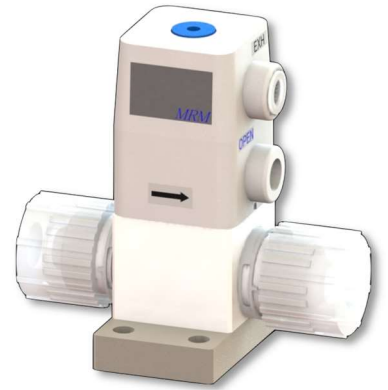
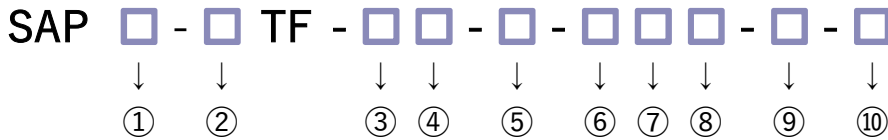


气动阀 (Air-Operated Valves)

- 可对应各种连接方式。
- 接流体部全部都是氟化乙烯树脂(PFA/PTFE)，抗腐蚀。
- 超低粉尘清理(表面粗糙度加工、精密洗净、平面构造)。
- MRM独自的安全构造(高压对策及热循环对策)。



型号表示方法 (How to order)



型号选定例 (Model Number Selection example)

SAP2-15TF-SB-5-E1B-5K

: NC, 1/2"(×3/8"), Pillar Super 300, ON/OFF, EPDM, Bottom mounting, 0.5MPa specification

① 制动方式 (Operation method)	
2	NC (Normal Close)
9	NO (Normal Open)

◎ : 标准在库品 (Standard stock)
 ○ : 受注生产品 (Made to order)
 — : 无在库 (Not stock)

② 阀门尺寸 (Valve size)		10		15		20		25	
	mm	Φ10×Φ8, N8		Φ12×Φ10, N10		Φ19×Φ16, N16		Φ25×Φ22, N22	
	inch	3/8"(×1/4")		1/2"(×3/8")		3/4"(×5/8")		1"(×7/8")	
③ 连接方式 (Connection method)		mm	inch	mm	inch	mm	inch	mm	inch
F	Flowell 20series	◎ ※1	◎ ※1	◎ ※1	◎ ※1	◎ ※1	◎ ※1	◎ ※1	◎ ※1
FA	Flowell 20Aseries	◎ ※1	◎ ※1	◎ ※1	◎ ※1	◎ ※1	◎ ※1	◎ ※1	◎ ※1
R	Flowell 60series	○	○	○	○	○	○	○	○
H	Flowell 80series	○	○	○	○	○	○	○	○
P	Pillar Super fitting	○	○	○	○	○	○	○	○
S	Pillar Super 300	◎	◎	◎	◎	◎	◎	◎	◎
L	Pillar Super flare	○	○	○	○	○	○	○	○
K	Kurabo Final lock	○	○	○	○	○	○	○	○
C	Kurabo K-Fitter	○	○	○	○	○	○	○	○
B	Bueno Fit-One	○	○	○	○	○	○	○	○
X	Flare Type	—	○	—	○	—	○	—	○
NL	Yodogawa Nano Link system	○ ※2	—	○ ※2	—	○ ※2	—	○ ※2	—
T	Tube Type	○	○	○	○	○	○	○	○

④ 管道规格 (Tube Standard)	
A	mm
B	inch

⑥ O-Ring ※3	
(No sign)	FKM
V	DAI-EL G902
E	EPDM

⑤ 附加功能 (Additional function)	
5	ON/OFF
6	流量调整功能 (Flow adjustment)

注释 (Note)

※1: 0.5/0.7MPa的规格为受注生产品。

※2: 管道规格并不记载, 只以NL的形式进行记载。(例) N8 : 10TF-NL

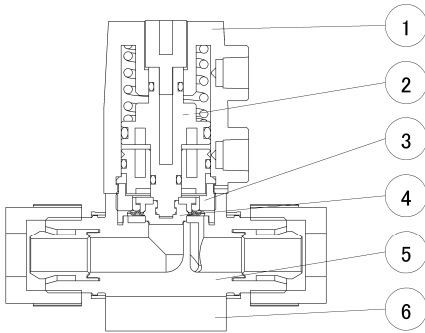
※3: 虽不接触流体, 但有腐蚀性高的流体时请选择。

SAP (ON/OFF, Flow adjustment)

⑦ 执行器方向 (Direction of actuator)	
1	
2	
3	
4	
⑧ 固定 (Mounting)	
(No sign)	法兰固定 (Flange mounting)
B	底座固定 (Bottom mounting)

⑨ 流体压力 (Fluid pressure range)	
(No sign)	0.3MPa规格 (0.3MPa specification)
5K	0.5MPa规格 (0.5MPa specification)
SE	0.7MPa规格 (0.7MPa specification) ※1
⑩ 螺母涂层 (Bolt coating) ※2	
(No sign)	无涂层 (Not coated)
Y	有涂层 (Coated)

内部构造 (Internal structure) ※3



品号 (No)	零件名 (Parts name)	材质 (Material)
①	外壳 (Case)	PP
②	活塞 (Piston)	PP
③	填料式旋塞阀 (Stuffing)	PP
④	薄膜 (Diaphragm)	PTFE
⑤	本体 (Body)	PTFE
⑥	底座 (Base)	PP

规格 (Specifications)

使用流体 (Fluid)	化学品·纯水·气体 (Chemical liquid, DIW, Gas) ※4			
流体温度 (Fluid temperature range)	10~100°C			
大气温度 (Atmospheric temperature)	0~40°C			
液体流动部分的材质 (Materials of liquid flowed parts)	本体 (Body)	: PTFE		
	薄膜 (Diaphragm)	: PTFE		
操作方式 (Operating system)	单动式 (Spring return actuation)			
气压压力 (Pneumatic supply pressure)	0.3MPa规格 (0.3MPa specification)	: 0.3~0.6MPa		
	0.5MPa规格 (0.5MPa specification)	: 0.45~0.6MPa		
	0.7MPa规格 (0.7MPa specification)	: 0.45~0.6MPa		
阀门尺寸 (Valve size)	10 (3/8")	15 (1/2")	20 (3/4")	25 (1")
流通孔 (Orifice)	Φ8	Φ10	Φ16	Φ22
流体压力 (Fluid pressure range)				
0.3MPa规格 (0.3MPa specification)	IN→OUT	0~0.3MPa		
	背压 (Back pressure)	0~0.3MPa	0~0.2MPa	0~0.1MPa
0.5MPa规格 (0.5MPa specification)	IN→OUT	0~0.5MPa		
	背压 (Back pressure)	0~0.5MPa		
0.7MPa规格 (0.7MPa specification)	IN→OUT	0~0.7MPa		ASK
	背压 (Back pressure)	0~0.7MPa		ASK

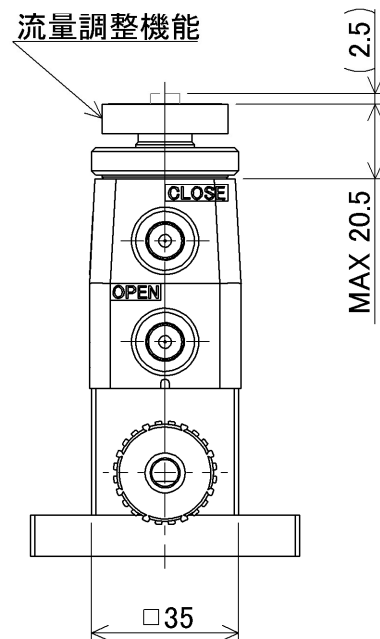
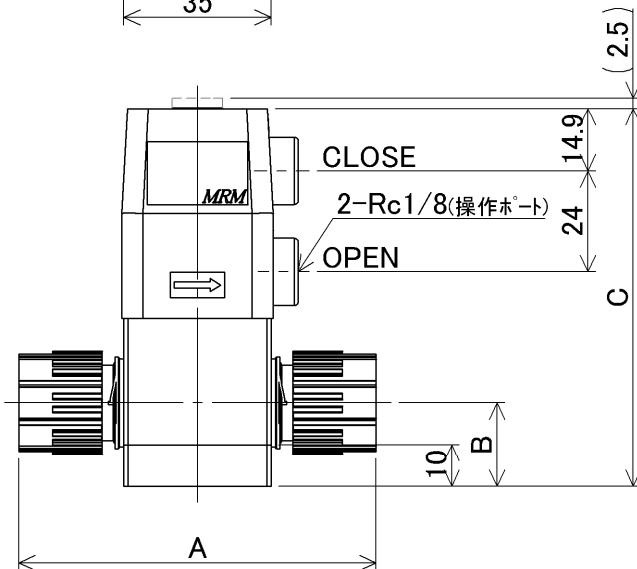
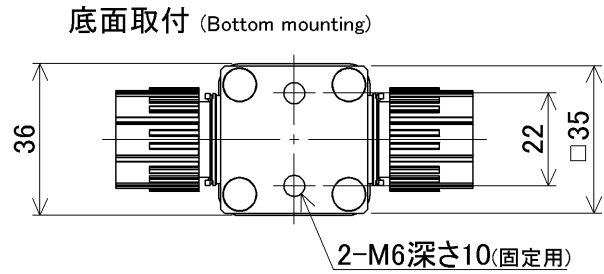
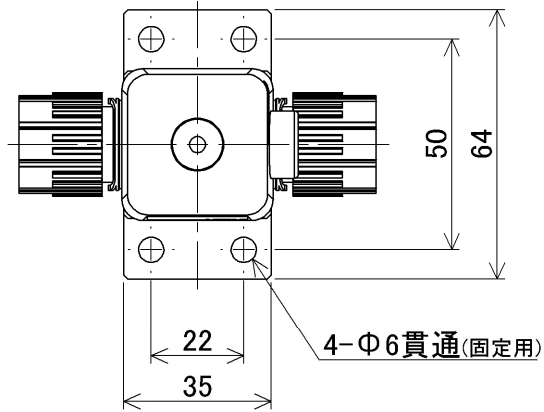
注释 (Note)

- ※1: 阀门尺寸的“25”的0.7MPa规格请另行咨询。
- ※2: 虽不接触流体, 但有腐蚀性高的流体时请选择。
- ※3: 0.3MPa规格和0.5/0.7MPa的规格在形状上有一部分不同。
- ※4: 气体在最大1cm³/min的时候, 有可能会发生阀底座泄露。。

尺寸 (Dimensions)

- ▶ $\Phi 10 \times \Phi 8, N8$
- ▶ $3/8" (\times 1/4")$

SAP □ - 10 TF - □□ - □ - □ 1 □ - □ - □



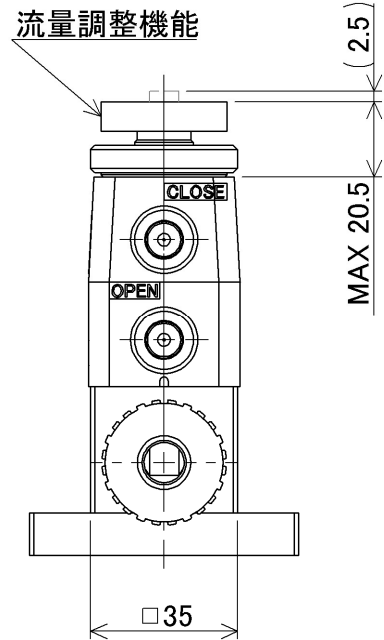
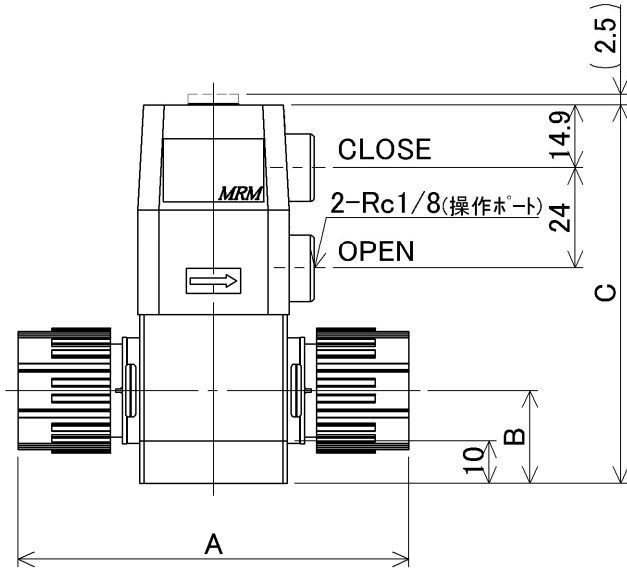
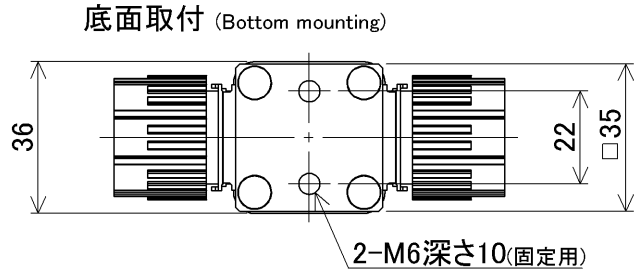
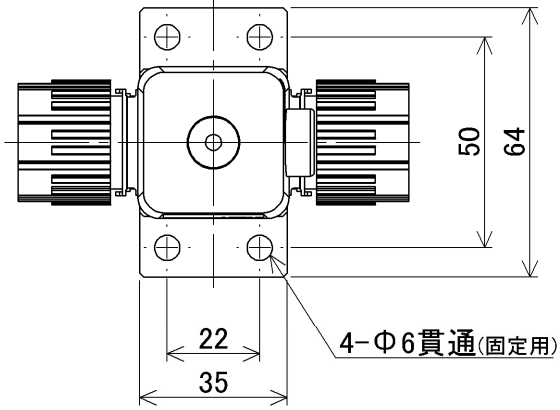
0.5/0.7MPa规格

连接方式 (Connection method)	A	B	C	C
Flowell 20series	77	20	90	95
Flowell 20Aseries	77	20	90	95
Flowell 60series	113	20	90	95
Flowell 80series	86	22	90	98
Pillar Super fitting	88	20	90	95
Pillar Super 300	85	20	90	95
Pillar Super flare	84.6	20	90	95
Kurabo Final lock	93	22	90	98
Kurabo K-Fitter	75	20	90	95
Bueno Fit-One	90.4	22	90	98
Flare Type	98.6	20	90	95
Nano Link system	69.8	22	90	98
Tube Type	83	20	90	95

尺寸 (Dimensions)

- ▶ $\Phi 12 \times \Phi 10$, N10
- ▶ 1/2" ($\times 3/8$ ")

SAP □ - 15 TF - □□ - □ - □ 1 □ - □ - □



0.5/0.7MPa规格

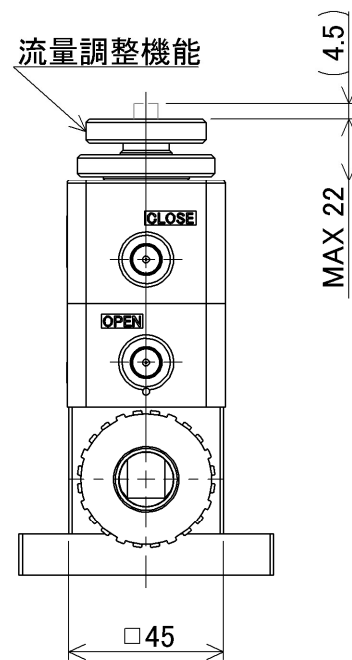
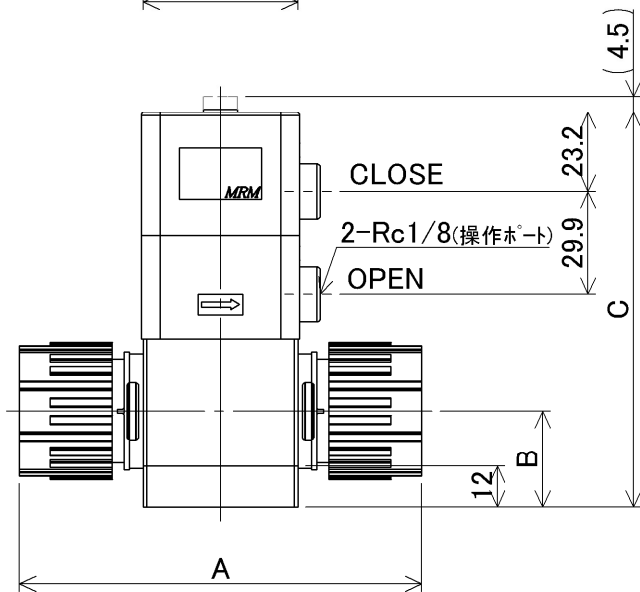
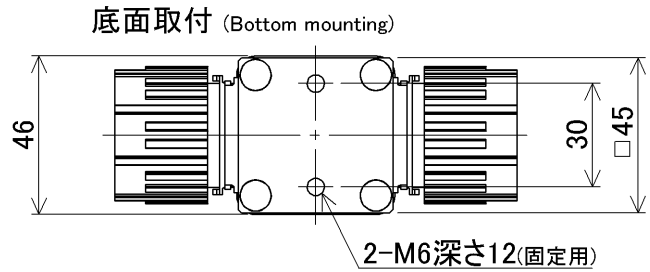
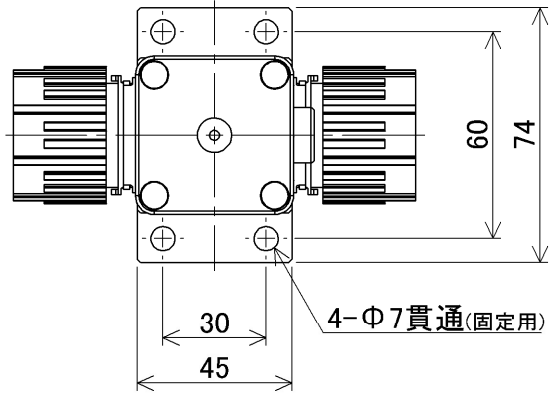
连接方式 (Connection method)	A	B	C	C
Flowell 20series	85	20	90	98
Flowell 20Aseries	85	20	90	98
Flowell 60series	113	20	90	98
Flowell 80series	93	24	92	100
Pillar Super fitting	95	22	90	98
Pillar Super 300	93	22	90	98
Pillar Super flare	92.6	22	90	98
Kurabo Final lock	95	22	90	98
Kurabo K-Fitter	81	20	90	98
Bueno Fit-One	99	22	90	98
Flare Type	102.6	20	90	98
Nano Link system	72.2	24	92	100
Tube Type	85	20	90	98

PFA
Flare Type Flowell 60series
Pillar Super 300 Pillar Super flare
PTFE
Tube Fitting
PTFE (HI-TEMP)
Tube Fitting
Other
Union

尺寸 (Dimensions)

- ▶ $\Phi 19 \times \Phi 16$, N16
- ▶ 3/4" (x 5/8")

SAP □ - 20 TF - □□ - □ - □ 1 □ - □ - □



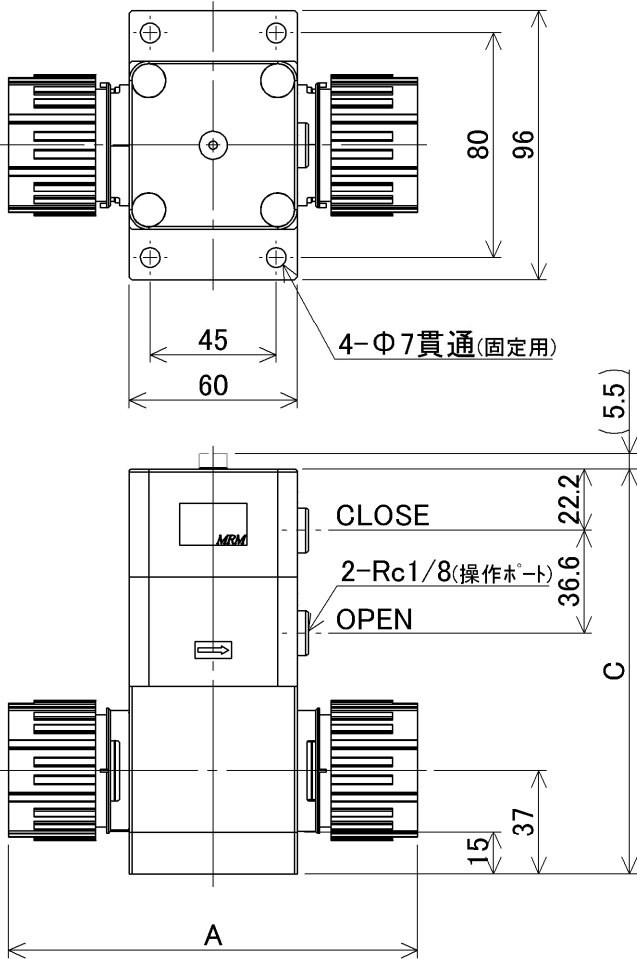
0.5/0.7MPa规格

连接方式 (Connection method)	A	B	C	C
Flowell 20series	107	28	115	125
Flowell 20Aseries	107	28	115	125
Flowell 60series	133	28	115	125
Flowell 80series	118	28	115	125
Pillar Super fitting	124	28	115	125
Pillar Super 300	117	28	115	125
Pillar Super flare	116.6	28	115	125
Kurabo Final lock	114	28	115	125
Kurabo K-Fitter	99	28	115	125
Bueno Fit-One	127	28	115	125
Flare Type	118.6	28	115	125
Nano Link system	90.6	30	117	127
Tube Type	105	28	115	125

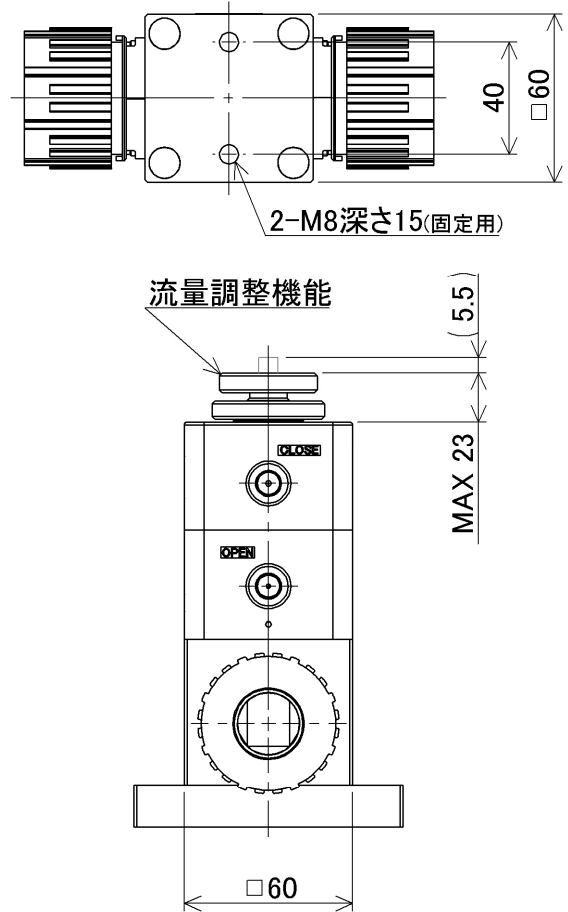
尺寸 (Dimensions)

- ▶ $\Phi 25 \times \Phi 22$, N22
- ▶ 1"($\times 7/8$ ")

SAP □ - 25 TF - □□ - □ - □ 1 □ - □ - □



底面取付 (Bottom mounting)



0.5/0.7MPa规格

连接方式 (Connection method)	A	B	C	C
Flowell 20series	144	37	144.8	149.8
Flowell 20Aseries	144	37	144.8	149.8
Flowell 60series	162	37	144.8	149.8
Flowell 80series	138	37	144.8	149.8
Pillar Super fitting	150	37	144.8	149.8
Pillar Super 300	146	37	144.8	149.8
Pillar Super flare	143	37	144.8	149.8
Kurabo Final lock	139	37	144.8	149.8
Kurabo K-Fitter	122	37	144.8	149.8
Bueno Fit-One	156	37	144.8	149.8
Flare Type	150	37	144.8	149.8
Nano Link system	110.4	37	144.8	149.8
Tube Type	140	37	144.8	149.8

PFA
Flare Type Flowell 60series
Pillar Super 300 Pillar Super flare
PTFE
Tube Fitting
PTFE (HI-TEMP)
Tube Fitting
Other
Union