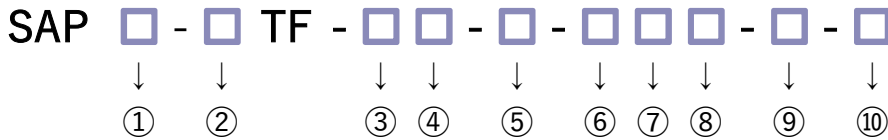


氣動閥 (Air-Operated Valves)

- 可對應各種連接方式。
- 接流體部都是氟化乙烯樹脂(PTFE)，抗腐蝕。
- 低粉塵清理(高面粗度加工、精密洗淨、平面構造)。
- MRM獨自的安全構造(高壓對策及熱循環對策)。



型番表示方法 (How to order)



型番選擇例子 (Model Number Selection example)

SAP2-15TF-SB-5-E1B-5K

: NC, 1/2" (× 3/8"), Pillar Super 300, ON/OFF, EPDM, Bottom mounting, 0.5MPa specification

① 動作方式 (Operation method)

2	NC (Normal Close)
9	NO (Normal Open)

◎ : 標準在庫品 (Standard stock)
○ : 受注生産品 (Made to order)
— : 無在庫 (Not stock)

② 閥門尺寸 (Valve size)

		10	15	20	25
mm		Φ10 × Φ8, N8	Φ12 × Φ10, N10	Φ19 × Φ16, N16	Φ25 × Φ22, N22
inch		3/8" (× 1/4")	1/2" (× 3/8")	3/4" (× 5/8")	1" (× 7/8")

③ 接續方式 (Connection method)

		mm	inch	mm	inch	mm	inch	mm	inch
F	Flowell 20series	◎ ※1	◎ ※1	◎ ※1	◎ ※1	◎ ※1	◎ ※1	◎ ※1	◎ ※1
FA	Flowell 20Aseries	◎ ※1	◎ ※1	◎ ※1	◎ ※1	◎ ※1	◎ ※1	◎ ※1	◎ ※1
R	Flowell 60series	○	○	○	○	○	○	○	○
H	Flowell 80series	○	○	○	○	○	○	○	○
P	Pillar Super fitting	○	○	○	○	○	○	○	○
S	Pillar Super 300	◎	◎	◎	◎	◎	◎	◎	◎
L	Pillar Super flare	○	○	○	○	○	○	○	○
K	Kurabo Final lock	○	○	○	○	○	○	○	○
C	Kurabo K-Fitter	○	○	○	○	○	○	○	○
B	Bueno Fit-One	○	○	○	○	○	○	○	○
X	Flare Type	—	○	—	○	—	○	—	○
NL	Yodogawa Nano Link system	○ ※2	—	○ ※2	—	○ ※2	—	○ ※2	—
T	Tube Type	○	○	○	○	○	○	○	○

④ 管道規格 (Tube Standard)

A	mm
B	inch

⑥ O-Ring ※3

(No sign)	FKM
V	DAI-EL G902
E	EPDM

⑤ 付加機能 (Additional function)

5	ON/OFF
6	流量調整機能 (Flow adjustment)

注記 (Note)

※1: 0.5/0.7MPa的規格為受注生産品。

※2: 管道規格并不記載，只以NL的形式記載。(例) N8: 10TF-NL

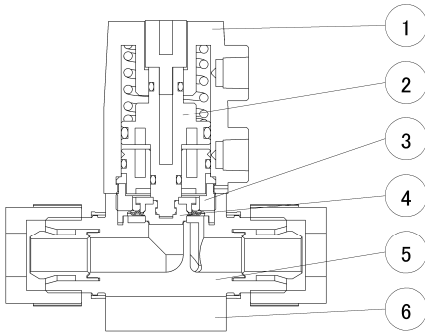
※3: 雖不接觸流體，擔憂腐蝕性高的流體時請選擇。

SAP (ON/OFF, Flow adjustment)

⑦ 執行器方向 (Direction of actuator)	
1	
2	
3	
4	
⑧ 固定 (Mounting)	
(No sign)	法蘭固定 (Flange mounting)
B	底座固定 (Bottom mounting)

⑨ 流體壓力 (Fluid pressure range)	
(No sign)	0.3MPa規格 (0.3MPa specification)
5K	0.5MPa規格 (0.5MPa specification)
SE	0.7MPa規格 (0.7MPa specification) ※1
⑩ 螺母圖層 (Bolt coating) ※2	
(No sign)	無塗層 (Not coated)
Y	有塗層 (Coated)

內部構造 (Internal structure) ※3



品番 (No)	零件名 (Parts name)	材質 (Material)
①	外殼 (Case)	PP
②	活塞 (Piston)	PP
③	填料式旋塞閥 (Stuffing)	PP
④	薄膜 (Diaphragm)	PTFE
⑤	本體 (Body)	PTFE
⑥	底座 (Base)	PP

規格 (Specifications)

使用流體 (Fluid)	化學品・純水・氣體 (Chemical liquid, DIW, Gas) ※4			
流體溫度 (Fluid temperature range)	10~100°C			
大氣溫度 (Atmospheric temperature)	0~40°C			
液體流動部分材質 (Materials of liquid flowed parts)	本體 (Body)	: PTFE		
	薄膜 (Diaphragm)	: PTFE		
操作方式 (Operating system)	單動 (Spring return actuation)			
操作壓力 (Pneumatic supply pressure)	0.3MPa規格 (0.3MPa specification)	: 0.3~0.6MPa		
	0.5MPa規格 (0.5MPa specification)	: 0.45~0.6MPa		
	0.7MPa規格 (0.7MPa specification)	: 0.45~0.6MPa		
閥門尺寸 (Valve size)	10 (3/8")	15 (1/2")	20 (3/4")	25 (1")
通氣孔 (Orifice)	Φ8	Φ10	Φ16	Φ22
流體壓力 (Fluid pressure range)				
0.3MPa規格 (0.3MPa specification)	IN→OUT	0~0.3MPa		
	背壓 (Back pressure)	0~0.3MPa	0~0.2MPa	0~0.1MPa
0.5MPa規格 (0.5MPa specification)	IN→OUT	0~0.5MPa		
	背壓 (Back pressure)	0~0.5MPa		
0.7MPa規格 (0.7MPa specification)	IN→OUT	0~0.7MPa		ASK
	背壓 (Back pressure)	0~0.7MPa		ASK

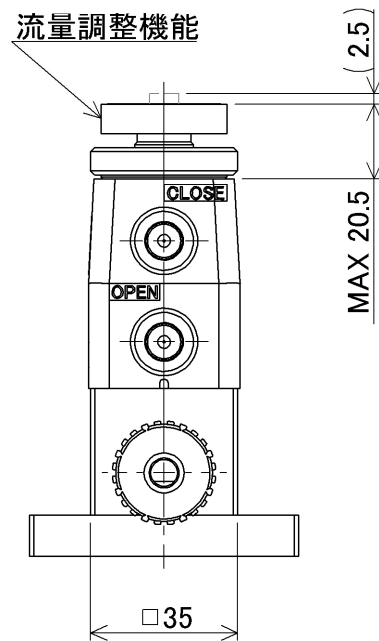
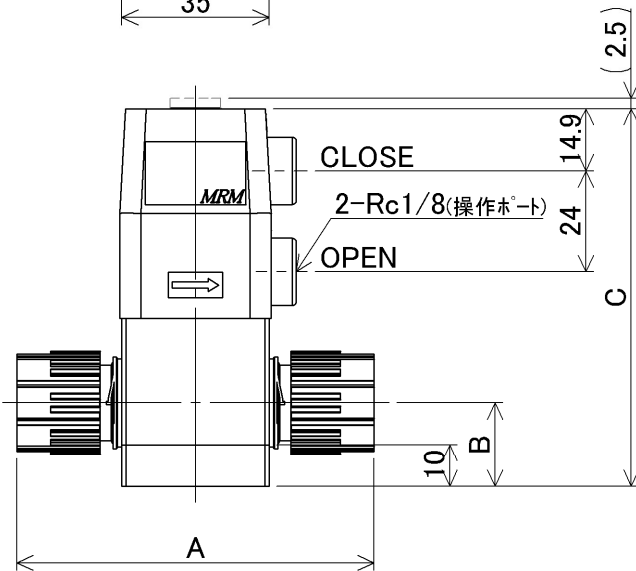
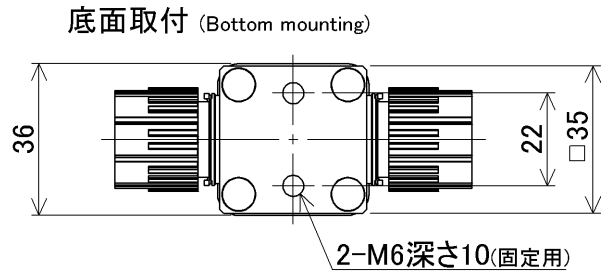
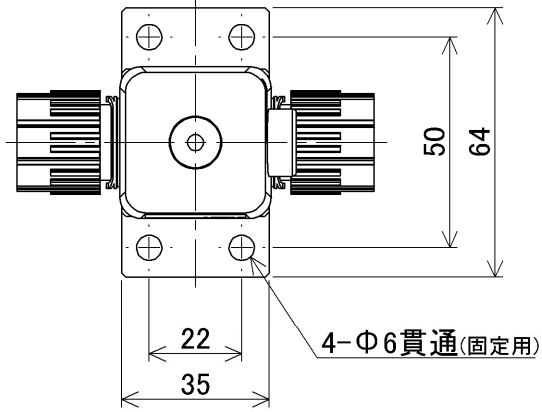
注記 (Note)

- ※1: 閥門尺寸"25", 0.7MPa的規格請另行諮詢。
- ※2: 雖不接觸流體, 但有腐蝕性高的流體時請選擇。
- ※3: 0.3MPa規格與0.5/0.7MPa的規格在形狀上有部分不同。
- ※4: 氣體在最大1cm³/min時, 有發生閥底泄露之可能性。

尺寸 (Dimensions)

- ▶ $\Phi 10 \times \Phi 8$, N8
- ▶ 3/8" (×1/4")

SAP □ - 10 TF - □□ - □ - □1□ - □ - □



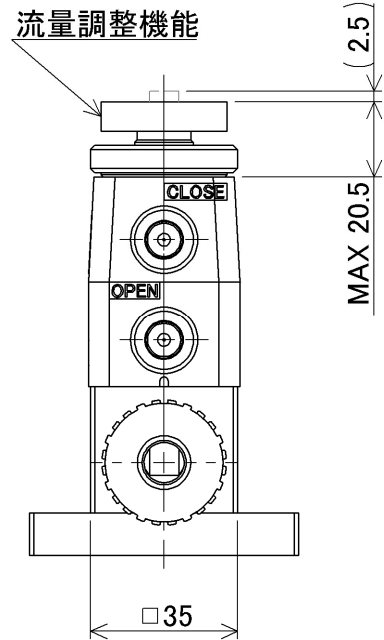
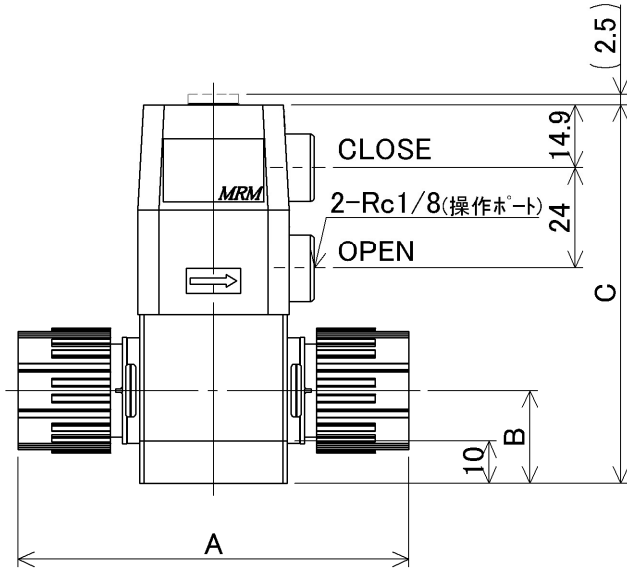
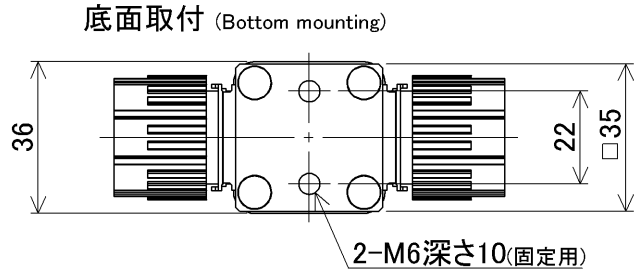
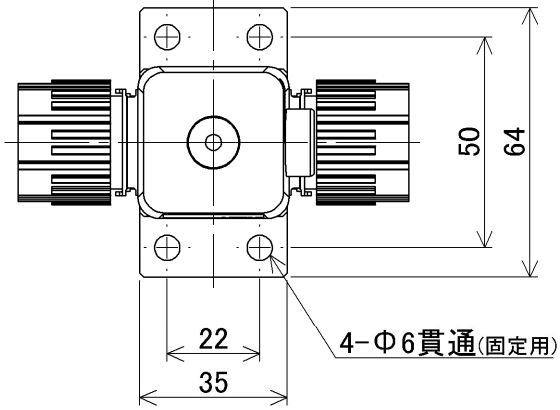
0.5/0.7MPa規格

接続方式 (Connection method)	A	B	C	C
Flowell 20series	77	20	90	95
Flowell 20Aseries	77	20	90	95
Flowell 60series	113	20	90	95
Flowell 80series	86	22	90	98
Pillar Super fitting	88	20	90	95
Pillar Super 300	85	20	90	95
Pillar Super flare	84.6	20	90	95
Kurabo Final lock	93	22	90	98
Kurabo K-Fitter	75	20	90	95
Bueno Fit-One	90.4	22	90	98
Flare Type	98.6	20	90	95
Nano Link system	69.8	22	90	98
Tube Type	83	20	90	95

尺寸 (Dimensions)

- ▶ $\Phi 12 \times \Phi 10$, N10
- ▶ 1/2" ($\times 3/8$ ")

SAP □ - 15 TF - □□ - □ - □ 1 □ - □ - □



0.5/0.7MPa規格

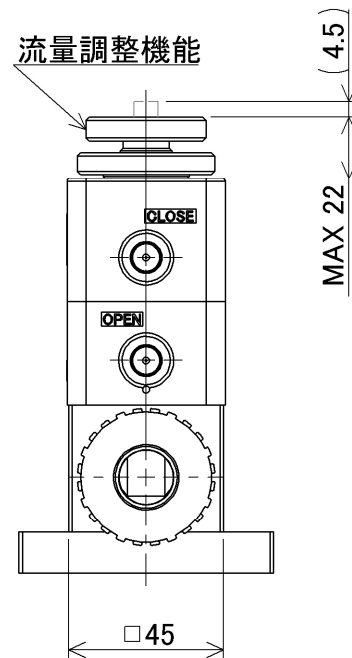
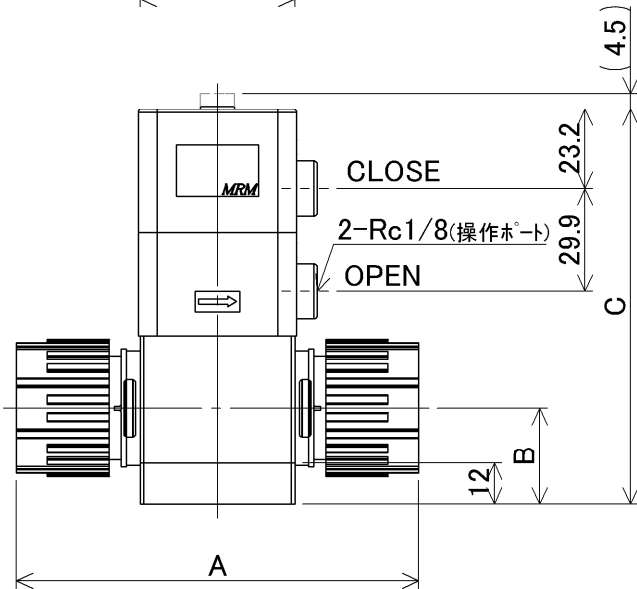
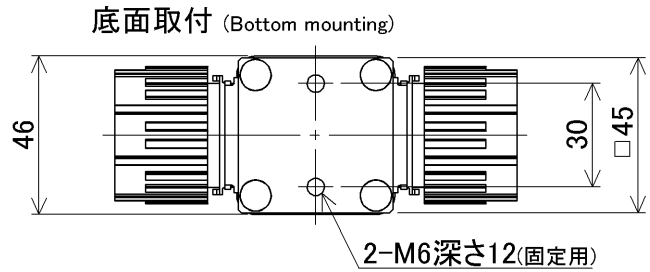
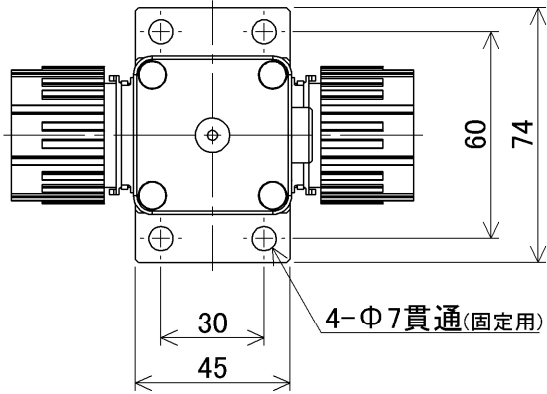
接續方式 (Connection method)	A	B	C	C
Flowell 20series	85	20	90	98
Flowell 20Aseries	85	20	90	98
Flowell 60series	113	20	90	98
Flowell 80series	93	24	92	100
Pillar Super fitting	95	22	90	98
Pillar Super 300	93	22	90	98
Pillar Super flare	92.6	22	90	98
Kurabo Final lock	95	22	90	98
Kurabo K-Fitter	81	20	90	98
Bueno Fit-One	99	22	90	98
Flare Type	102.6	20	90	98
Nano Link system	72.2	24	92	100
Tube Type	85	20	90	98

PFA
Flare Type Flowell 60series
Pillar Super 300 Pillar Super flare
PTFE
Tube Fitting
PTFE (HI-TEMP)
Tube Fitting
Other
Union

尺寸 (Dimensions)

- ▶ $\Phi 19 \times \Phi 16$, N16
- ▶ 3/4" (×5/8")

SAP □ - 20 TF - □□ - □ - □1□ - □ - □



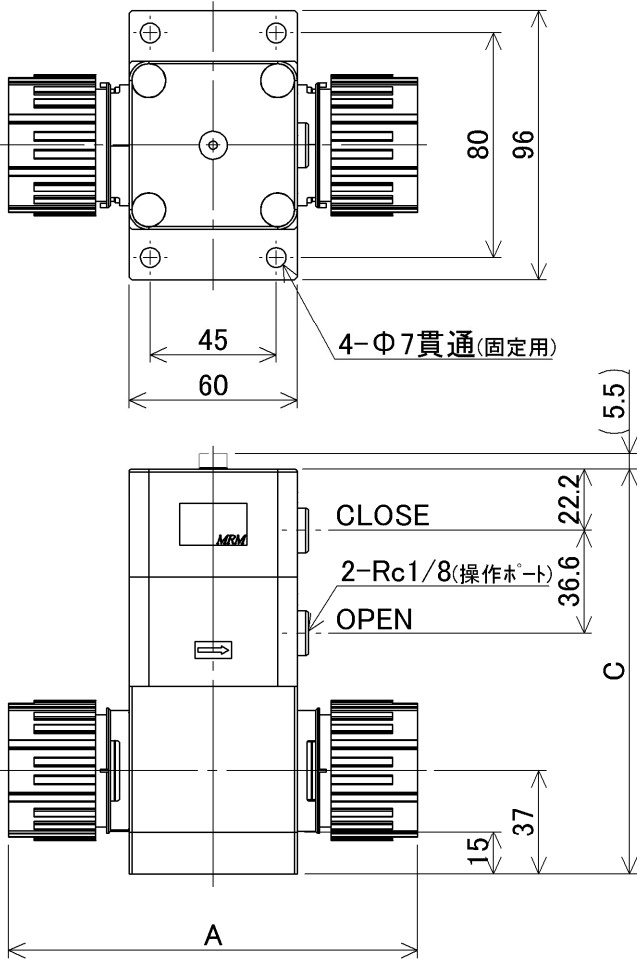
0.5/0.7MPa規格

接続方式 (Connection method)	A	B	C	C
Flowell 20series	107	28	115	125
Flowell 20Aseries	107	28	115	125
Flowell 60series	133	28	115	125
Flowell 80series	118	28	115	125
Pillar Super fitting	124	28	115	125
Pillar Super 300	117	28	115	125
Pillar Super flare	116.6	28	115	125
Kurabo Final lock	114	28	115	125
Kurabo K-Fitter	99	28	115	125
Bueno Fit-One	127	28	115	125
Flare Type	118.6	28	115	125
Nano Link system	90.6	30	117	127
Tube Type	105	28	115	125

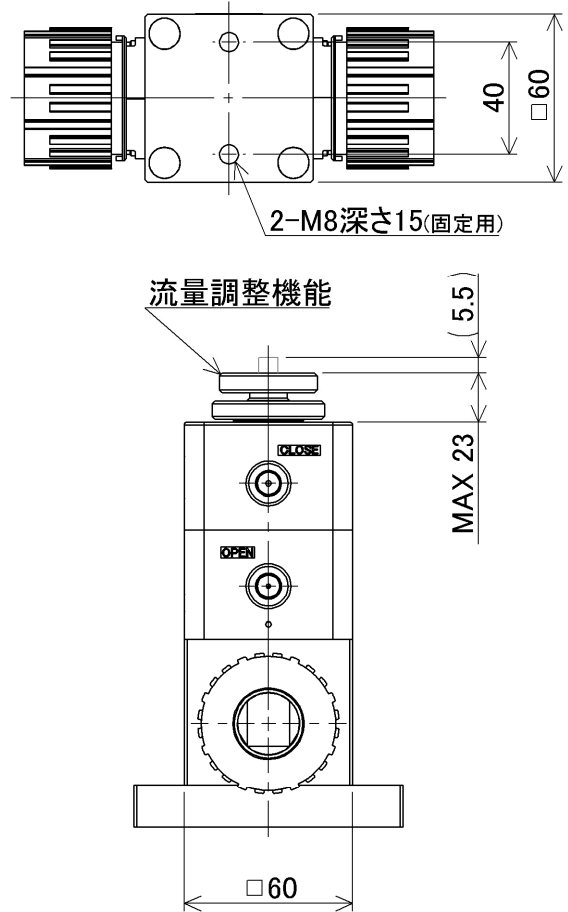
尺寸 (Dimensions)

- ▶ $\Phi 25 \times \Phi 22$, N22
- ▶ 1"($\times 7/8$ ")

SAP □ - 25 TF - □□ - □ - □ 1 □ - □ - □



底面取付 (Bottom mounting)



0.5/0.7MPa規格

接續方式 (Connection method)	A	B	C	C
Flowell 20series	144	37	144.8	149.8
Flowell 20Aseries	144	37	144.8	149.8
Flowell 60series	162	37	144.8	149.8
Flowell 80series	138	37	144.8	149.8
Pillar Super fitting	150	37	144.8	149.8
Pillar Super 300	146	37	144.8	149.8
Pillar Super flare	143	37	144.8	149.8
Kurabo Final lock	139	37	144.8	149.8
Kurabo K-Fitter	122	37	144.8	149.8
Bueno Fit-One	156	37	144.8	149.8
Flare Type	150	37	144.8	149.8
Nano Link system	110.4	37	144.8	149.8
Tube Type	140	37	144.8	149.8

PFA
Flare Type Flowell 60series
Pillar Super 300 Pillar Super flare
PTFE
Tube Fitting
PTFE (HI-TEMP)
Tube Fitting
Other
Union