

肘节阀 (Toggle Valves)

- 可对应各种连接方式。
- 接流体部全部都是氟化乙烯树脂(PFA/PTFE)，抗腐蚀。
- 超低粉尘清理(表面粗糙度加工、精密洗净、平面构造)。
- MRM独自的安全构造(高压对策及热循环处理)。

型号表示方法 (How to order)

STP2 - □ TF - □ □ - □ - □

↓ ↓ ↓ ↓ ↓
 ① ② ③ ④ ⑤



型号选定例 (Model Number Selection example)

STP2-15TF-SB-B-5K

: 1/2"(×3/8"), Pillar Super 300, Bottom mounting, 0.5MPa specification

◎ : 标准在庫品 (Standard stock)
 ○ : 受注生産品 (Made to order)
 — : 无在庫 (Not stock)

① 阀门尺寸 (Valve size)		10		15		20	
	mm	Φ10×Φ8, N8		Φ12×Φ10, N10		Φ19×Φ16, N16	
	inch	3/8"(×1/4")		1/2"(×3/8")		3/4"(×5/8")	
② 连接方式 (Connection method)		mm	inch	mm	inch	mm	inch
F	Flowell 20series	◎ ※1	◎ ※1	◎ ※1	◎ ※1	◎ ※1	◎ ※1
FA	Flowell 20Aseries	◎ ※1	◎ ※1	◎ ※1	◎ ※1	◎ ※1	◎ ※1
R	Flowell 60series	○	○	○	○	○	○
H	Flowell 80series	○	○	○	○	○	○
P	Pillar Super fitting	○	○	○	○	○	○
S	Pillar Super 300	◎	◎	◎	◎	◎	◎
L	Pillar Super flare	○	○	○	○	○	○
K	Kurabo Final lock	○	○	○	○	○	○
C	Kurabo K-Fitter	○	○	○	○	○	○
B	Bueno Fit-One	○	○	○	○	○	○
X	Flare Type	—	○	—	○	—	○
NL	Yodogawa Nano Link system	○ ※2	—	○ ※2	—	○ ※2	—
T	Tube Type	○	○	○	○	○	○

③ 管道规格 (Tube Standard)

A	mm
B	inch

④ 固定 (Mounting)

(No sign)	法兰固定 (Flange mounting)
B	底座固定 (Bottom mounting)

⑤ 流体压力 (Fluid pressure range)

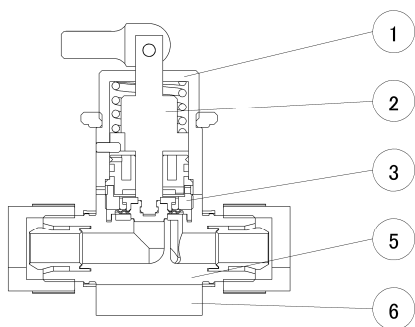
(No sign)	0.3MPa规格 (0.3MPa specification)
5K	0.5MPa规格 (0.5MPa specification)
7K	0.7MPa规格 (0.7MPa specification)

注释 (Note)

※1: 0.5/0.7MPa规格为受注生産品。

※2: 管道规格不记载, 只记载NL。(例) N8: 10TF-NL

内部构造 (Internal structure) ※1



品名 (No)	零件名 (Parts name)	材质 (Material)
①	零件 (Case)	PP ※2
②	升降 (Shaft)	PP
③	填料式旋塞阀 (Stuffing)	PP
④	薄膜 (Diaphragm)	PTFE
⑤	本体 (Body)	PTFE
⑥	底座 (Base)	PP

规格 (Specifications)

使用流体 (Fluid)	化学品·纯水·气体 (Chemical liquid, DIW, Gas) ※3		
流体温度 (Fluid temperature range)	10~100°C		
大气温度 (Atmospheric temperature)	0~40°C		
液体流动部分的材质 (Materials of liquid flowed parts)	本体 (Body)	: PTFE	
	薄膜 (Diaphragm)	: PTFE	
操作方式 (Operating system)	手动肘节式 (Toggle type)		

阀门尺寸 (Valve size)	10 (3/8")	15 (1/2")	20 (3/4")
流通孔 (Orifice)	Φ8	Φ10	Φ16
流体压力 (Fluid pressure range)			
0.3MPa规格 (0.3MPa specification)	IN→OUT	0~0.3MPa	
	背压 (Back pressure)	0~0.3MPa	0~0.2MPa
0.5MPa规格 (0.5MPa specification)	IN→OUT	0~0.5MPa	
	背压 (Back pressure)	0~0.5MPa	
0.7MPa规格 (0.7MPa specification)	IN→OUT	0~0.7MPa	
	背压 (Back pressure)	0~0.7MPa	

PFA
Flare Type Flowell 60series
Pillar Super 300 Pillar Super flare
PTFE
Tube Fitting
Other
Union

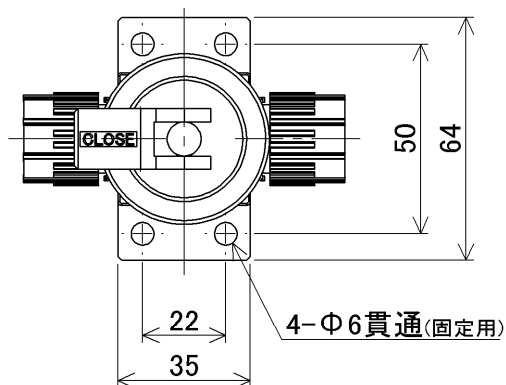
注释 (Note)

- ※1: 0.3MPa规格和0.5/0.7MPa规格在形状上有部分不同。
 ※2: 阀门尺寸10"和15"的0.3MPa规格的材质为PVDF。
 ※3: 气体在最大1cm³/min的时候, 有可能会发生阀底座泄露。

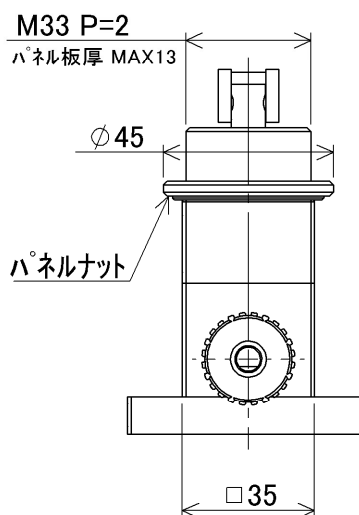
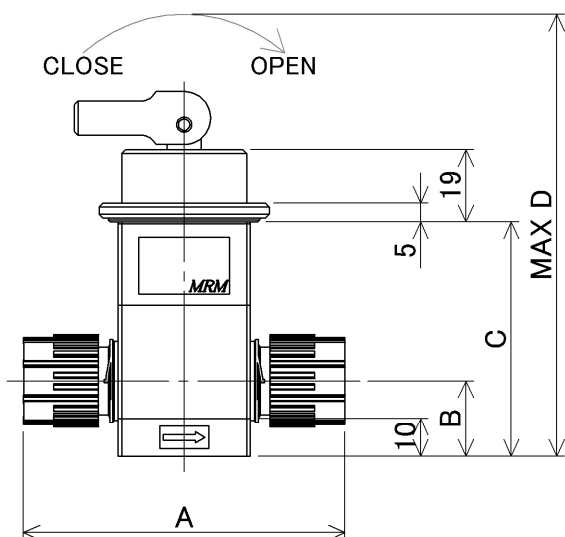
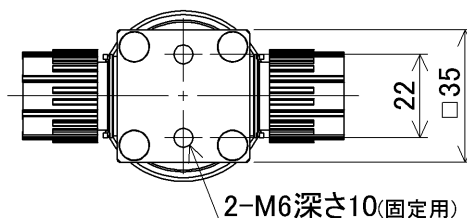
尺寸 (Dimensions)

- ▶ $\Phi 10 \times \Phi 8, N8$
- ▶ $3/8" (\times 1/4")$

STP2 - 10 TF - □□ - □ - □



底面取付 (Bottom mounting)



连接方式 (Connection method)	A	B	C	D
Flowell 20series	77	20	62	117
Flowell 20Aseries	77	20	62	117
Flowell 60series	113	20	62	117
Flowell 80series	86	22	62	117
Pillar Super fitting	88	20	62	117
Pillar Super 300	85	20	62	117
Pillar Super flare	84.6	20	62	117
Kurabo Final lock	93	22	62	117
Kurabo K-Fitter	75	20	62	117
Bueno Fit-One	90.4	22	62	117
Flare Type	98.6	20	62	117
Nano Link system	69.8	22	62	117
Tube Type	83	20	62	117

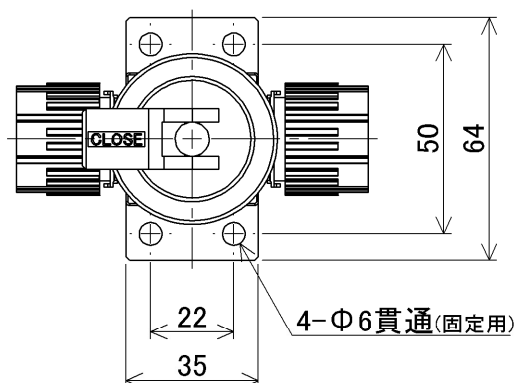
0.5MPa及0.7MPa规格

C	D
75.3	130.3
75.3	130.3
75.3	130.3
78.3	130.3
75.3	130.3
75.3	130.3
75.3	130.3
78.3	130.3
75.3	130.3
78.3	130.3
75.3	130.3
78.3	130.3
75.3	130.3

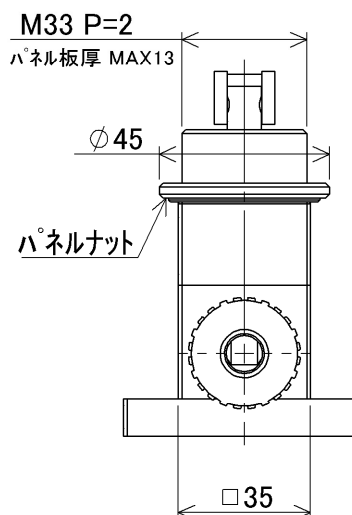
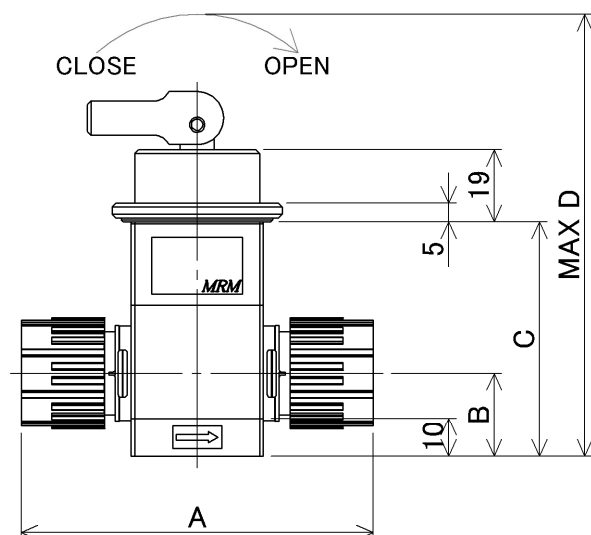
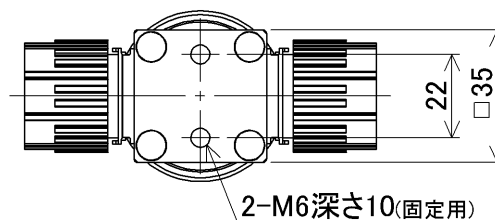
尺寸 (Dimensions)

- ▶ $\Phi 12 \times \Phi 10$, N10
- ▶ 1/2" (× 3/8")

STP2 - 15 TF - □□ - □ - □



底面取付 (Bottom mounting)



PFA
Flare Type Flowell 60series
Pillar Super 300 Pillar Super flare
PTFE
Tube Fitting
Other
Union

0.5MPa及0.7MPa规格

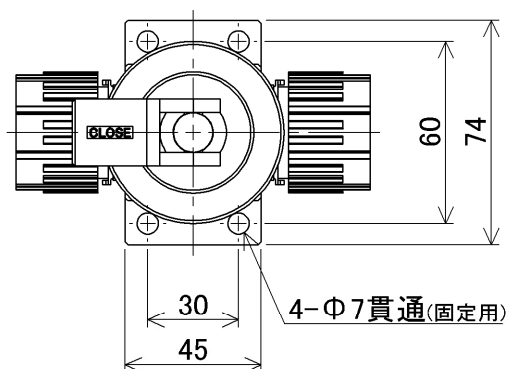
连接方式 (Connection method)	A	B	C	D
Flowell 20series	85	20	62	117
Flowell 20Aseries	85	20	62	117
Flowell 60series	113	20	62	117
Flowell 80series	93	24	64	119
Pillar Super fitting	95	22	62	117
Pillar Super 300	93	22	62	117
Pillar Super flare	92.6	22	62	117
Kurabo Final lock	95	22	62	117
Kurabo K-Fitter	81	20	62	117
Bueno Fit-One	99	22	62	117
Flare Type	102.6	20	62	117
Nano Link system	72.2	24	64	119
Tube Type	85	20	62	117

C	D
78.3	133.3
78.3	133.3
78.3	133.3
80.3	135.3
78.3	133.3
78.3	133.3
78.3	133.3
78.3	133.3
78.3	133.3
78.3	133.3
80.3	135.3
78.3	133.3

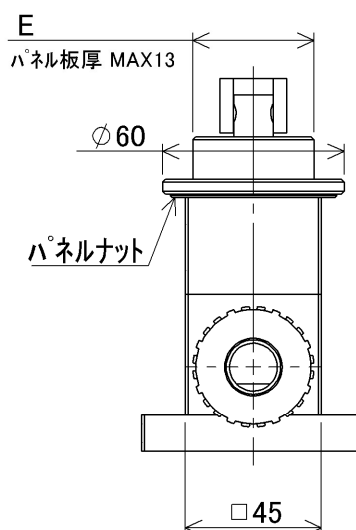
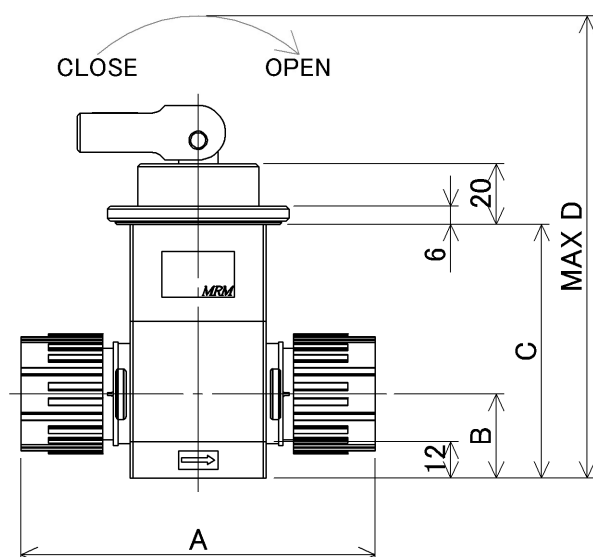
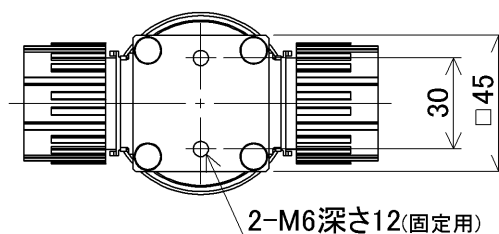
尺寸 (Dimensions)

- ▶ $\Phi 19 \times \Phi 16$, N16
- ▶ 3/4" (×5/8")

STP2 - 20 TF - □□ - □ - □



底面取付 (Bottom mounting)



0.5MPa及0.7MPa規格

连接方式 (Connection method)	A	B	C	D	E
Flowell 20series	107	28	84	153	M40 P=2
Flowell 20Aseries	107	28	84	153	M40 P=2
Flowell 60series	133	28	84	153	M40 P=2
Flowell 80series	118	28	84	153	M40 P=2
Pillar Super fitting	124	28	84	153	M40 P=2
Pillar Super 300	117	28	84	153	M40 P=2
Pillar Super flare	116.6	28	84	153	M40 P=2
Kurabo Final lock	114	28	84	153	M40 P=2
Kurabo K-Fitter	99	28	84	153	M40 P=2
Bueno Fit-One	127	28	84	153	M40 P=2
Flare Type	118.6	28	84	153	M40 P=2
Nano Link system	90.6	30	86	155	M40 P=2
Tube Type	105	28	84	153	M40 P=2

C	D	E
105.5	174.5	M44 P=2
105.5	174.5	M44 P=2
105.5	174.5	M44 P=2
105.5	174.5	M44 P=2
105.5	174.5	M44 P=2
105.5	174.5	M44 P=2
105.5	174.5	M44 P=2
105.5	174.5	M44 P=2
105.5	174.5	M44 P=2
105.5	174.5	M44 P=2
107.5	174.5	M44 P=2
105.5	174.5	M44 P=2

PFA	Flare Type Flowell 60series	Pillar Super 300 Pillar Super flare	PTFE	Tube Fitting	Other	Union
-----	--------------------------------	--	------	--------------	-------	-------