

## 肘節閥 (Toggle Valves)

- 可對應各種接續方式。
- 接流體部為氟化乙烯樹脂(PTFE)，抗腐蝕。
- 低粉塵清理(高面粗度加工、精密洗淨、平面構造)。
- MRM獨自的安全構造(高壓對策及熱循環對策)。

## 型番表示方法 (How to order)

STP2 - □ TF - □ □ - □ - □

↓                      ↓   ↓                      ↓                      ↓  
 ①                      ② ③                      ④                      ⑤



型番選擇例子 (Model Number Selection example)

STP2-15TF-SB-B-5K

: 1/2"(×3/8"), Pillar Super 300, Bottom mounting, 0.5MPa specification

◎ : 標準在庫品 (Standard stock)  
 ○ : 受注生産品 (Made to order)  
 — : 無在庫 (Not stock)

① 閥門尺寸 (Valve size)		10		15		20	
	mm	Φ10×Φ8, N8		Φ12×Φ10, N10		Φ19×Φ16, N16	
	inch	3/8"(×1/4")		1/2"(×3/8")		3/4"(×5/8")	
② 接續方式 (Connection method)		mm	inch	mm	inch	mm	inch
F	Flowell 20series	◎ ※1	◎ ※1	◎ ※1	◎ ※1	◎ ※1	◎ ※1
FA	Flowell 20Aseries	◎ ※1	◎ ※1	◎ ※1	◎ ※1	◎ ※1	◎ ※1
R	Flowell 60series	○	○	○	○	○	○
H	Flowell 80series	○	○	○	○	○	○
P	Pillar Super fitting	○	○	○	○	○	○
S	Pillar Super 300	◎	◎	◎	◎	◎	◎
L	Pillar Super flare	○	○	○	○	○	○
K	Kurabo Final lock	○	○	○	○	○	○
C	Kurabo K-Fitter	○	○	○	○	○	○
B	Bueno Fit-One	○	○	○	○	○	○
X	Flare Type	—	○	—	○	—	○
NL	Yodogawa Nano Link system	○ ※2	—	○ ※2	—	○ ※2	—
T	Tube Type	○	○	○	○	○	○

### ③ 管道規格 (Tube Standard)

A	mm
B	inch

### ④ 固定 (Mounting)

(No sign)	法蘭固定 (Flange mounting)
B	底面固定 (Bottom mounting)

### ⑤ 流體壓力 (Fluid pressure range)

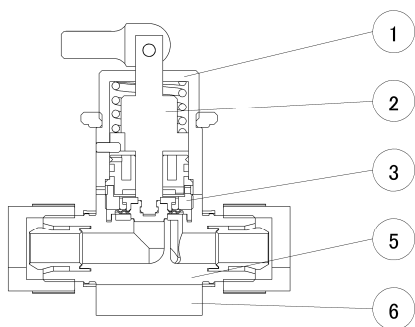
(No sign)	0.3MPa規格 (0.3MPa specification)
5K	0.5MPa規格 (0.5MPa specification)
7K	0.7MPa規格 (0.7MPa specification)

### 注記 (Note)

※1: 0.5/0.7MPa規格為受注生産品。

※2: 管道規格不記載，只記載NL。(例) N8: 10TF-NL

## 內部構造 (Internal structure) ※1



品番 (No)	零件名 (Parts name)	材質 (Material)
①	外殼 (Case)	PP ※2
②	升降件 (Shaft)	PP
③	填料式旋塞閥 (Stuffing)	PP
④	薄膜 (Diaphragm)	PTFE
⑤	本體 (Body)	PTFE
⑥	底座 (Base)	PP

## 規格 (Specifications)

使用流體 (Fluid)	藥液・純水・氣體 (Chemical liquid, DIW, Gas) ※3		
流體溫度 (Fluid temperature range)	10~100°C		
大氣溫度 (Atmospheric temperature)	0~40°C		
液體流動部分的材質 (Materials of liquid flowed parts)	本體 (Body)	: PTFE	
	薄膜 (Diaphragm)	: PTFE	
操作方式 (Operating system)	手動式 (Toggle type)		

閥門尺寸 (Valve size)	10 (3/8")	15 (1/2")	20 (3/4")
通氣孔 (Orifice)	Φ8	Φ10	Φ16
流體壓力 (Fluid pressure range)			
0.3MPa規格 (0.3MPa specification)	IN→OUT	0~0.3MPa	
	背壓 (Back pressure)	0~0.3MPa	0~0.2MPa
0.5MPa規格 (0.5MPa specification)	IN→OUT	0~0.5MPa	
	背壓 (Back pressure)	0~0.5MPa	
0.7MPa規格 (0.7MPa specification)	IN→OUT	0~0.7MPa	
	背壓 (Back pressure)	0~0.7MPa	

## 注記 (Note)

- ※1: 0.3MPa規格和0.5/0.7MPa規格在形狀上有部分不同。  
 ※2: 閥門尺寸"10"和"15"的0.3MPa規格的材質為PVDF。  
 ※3: 氣體在最大1cm<sup>3</sup>/min時, 有發生閥底泄露的可能性。

PFA

Flare Type  
Flowell 60seriesPillar Super 300  
Pillar Super flare

PTFE

Tube Fitting

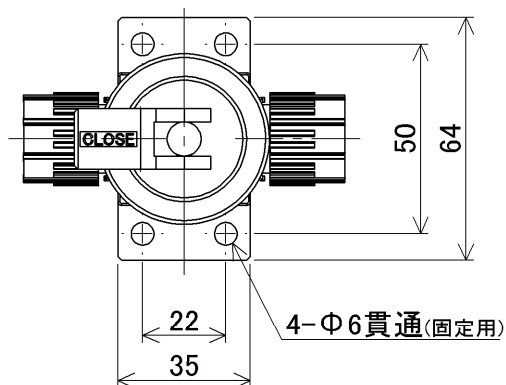
Other

Union

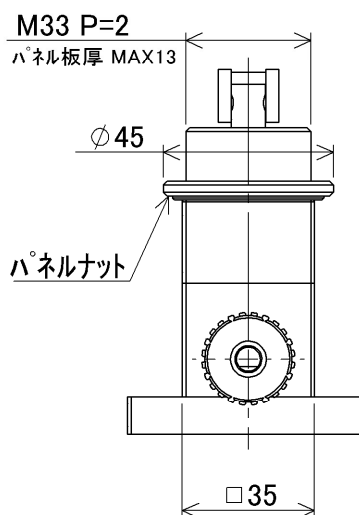
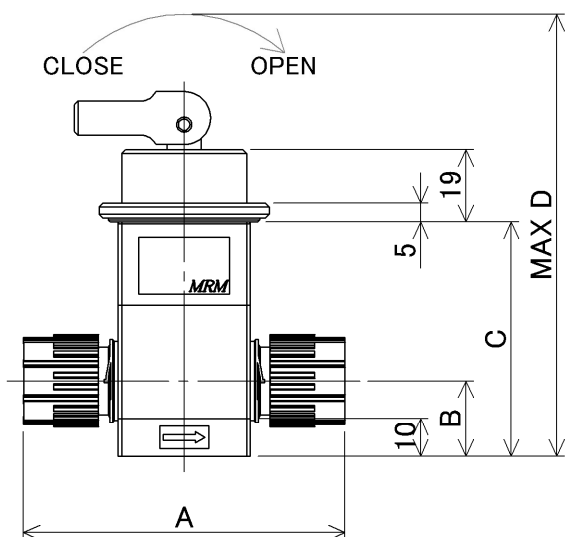
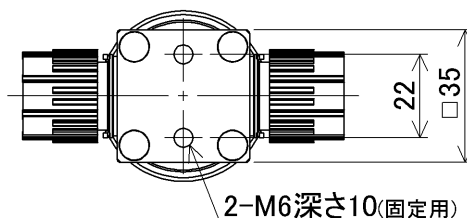
尺寸 (Dimensions)

- ▶  $\Phi 10 \times \Phi 8, N8$
- ▶  $3/8" (\times 1/4")$

STP2 - 10 TF - □□ - □ - □



底面取付 (Bottom mounting)



0.5MPa及0.7MPa規格

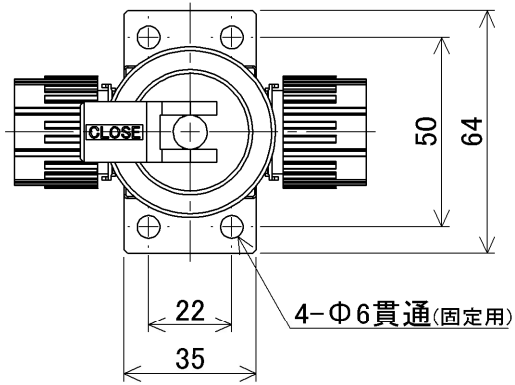
接続方式 (Connection method)	A	B	C	D
Flowell 20series	77	20	62	117
Flowell 20Aseries	77	20	62	117
Flowell 60series	113	20	62	117
Flowell 80series	86	22	62	117
Pillar Super fitting	88	20	62	117
Pillar Super 300	85	20	62	117
Pillar Super flare	84.6	20	62	117
Kurabo Final lock	93	22	62	117
Kurabo K-Fitter	75	20	62	117
Bueno Fit-One	90.4	22	62	117
Flare Type	98.6	20	62	117
Nano Link system	69.8	22	62	117
Tube Type	83	20	62	117

C	D
75.3	130.3
75.3	130.3
75.3	130.3
78.3	130.3
75.3	130.3
75.3	130.3
75.3	130.3
78.3	130.3
75.3	130.3
78.3	130.3
75.3	130.3
78.3	130.3
75.3	130.3

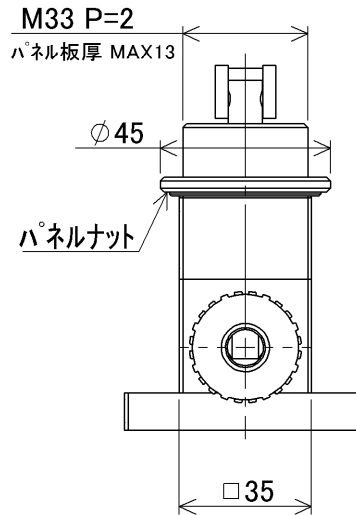
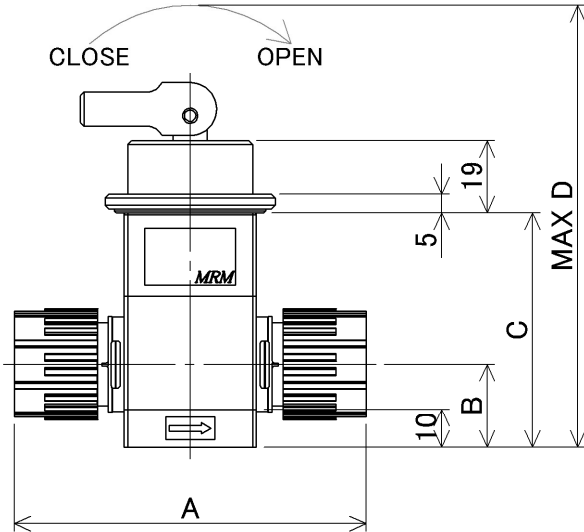
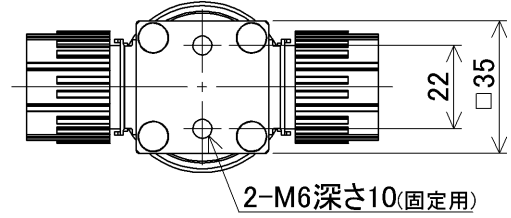
尺寸 (Dimensions)

- ▶  $\Phi 12 \times \Phi 10$ , N10
- ▶ 1/2" (× 3/8")

STP2 - 15 TF - □□ - □ - □



底面取付 (Bottom mounting)



PFA
Flare Type Flowell 60series
Pillar Super 300 Pillar Super flare
PTFE
Tube Fitting
Other
Union

0.5MPa及0.7MPa規格

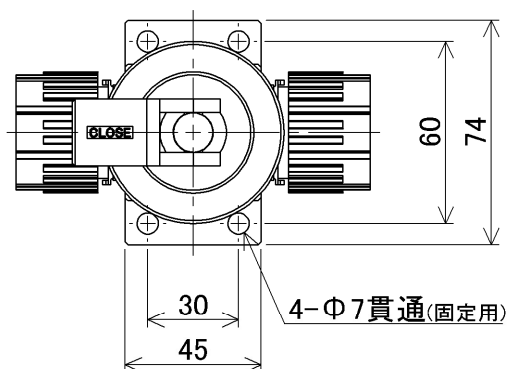
接続方式 (Connection method)	A	B	C	D
Flowell 20series	85	20	62	117
Flowell 20Aseries	85	20	62	117
Flowell 60series	113	20	62	117
Flowell 80series	93	24	64	119
Pillar Super fitting	95	22	62	117
Pillar Super 300	93	22	62	117
Pillar Super flare	92.6	22	62	117
Kurabo Final lock	95	22	62	117
Kurabo K-Fitter	81	20	62	117
Bueno Fit-One	99	22	62	117
Flare Type	102.6	20	62	117
Nano Link system	72.2	24	64	119
Tube Type	85	20	62	117

C	D
78.3	133.3
78.3	133.3
78.3	133.3
80.3	135.3
78.3	133.3
78.3	133.3
78.3	133.3
78.3	133.3
78.3	133.3
78.3	133.3
80.3	135.3
78.3	133.3

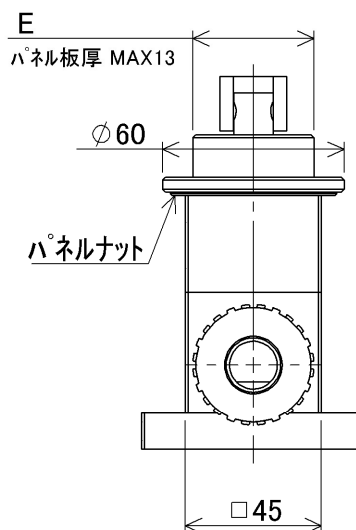
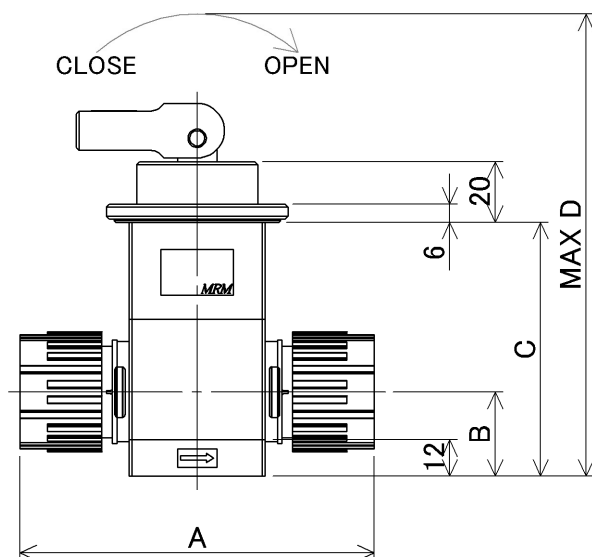
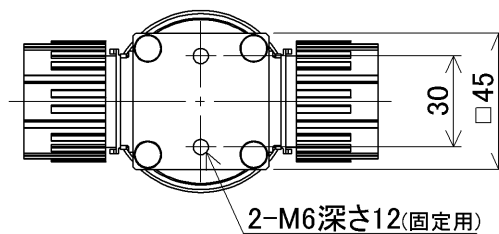
尺寸 (Dimensions)

- ▶  $\Phi 19 \times \Phi 16$ , N16
- ▶ 3/4" (×5/8")

STP2 - 20 TF - □□ - □ - □



底面取付 (Bottom mounting)



0.5MPa及0.7MPa規格

接続方式 (Connection method)	A	B	C	D	E
Flowell 20series	107	28	84	153	M40 P=2
Flowell 20Aseries	107	28	84	153	M40 P=2
Flowell 60series	133	28	84	153	M40 P=2
Flowell 80series	118	28	84	153	M40 P=2
Pillar Super fitting	124	28	84	153	M40 P=2
Pillar Super 300	117	28	84	153	M40 P=2
Pillar Super flare	116.6	28	84	153	M40 P=2
Kurabo Final lock	114	28	84	153	M40 P=2
Kurabo K-Fitter	99	28	84	153	M40 P=2
Bueno Fit-One	127	28	84	153	M40 P=2
Flare Type	118.6	28	84	153	M40 P=2
Nano Link system	90.6	30	86	155	M40 P=2
Tube Type	105	28	84	153	M40 P=2

C	D	E
105.5	174.5	M44 P=2
105.5	174.5	M44 P=2
105.5	174.5	M44 P=2
105.5	174.5	M44 P=2
105.5	174.5	M44 P=2
105.5	174.5	M44 P=2
105.5	174.5	M44 P=2
105.5	174.5	M44 P=2
105.5	174.5	M44 P=2
105.5	174.5	M44 P=2
107.5	174.5	M44 P=2
105.5	174.5	M44 P=2

PFA	Flare Type Flowell 60series	Pillar Super 300 Pillar Super flare	PTFE	Tube Fitting	Other	Union
-----	--------------------------------	--	------	--------------	-------	-------