

マニュアルバルブ (Manual Valves)

- 各種継手対応。
- 接液部は全てフッ素樹脂(PTFE)で高耐食。
- 低発塵でクリーン(高面粗度加工、精密洗浄、フラットシール構造)。
- MRM独自の安全構造(高圧対策、及びヒートサイクル対策)。

型番表示方法 (How to order)

SMP2 - □ TF - □ □ - □ - □

↓ ↓ ↓ ↓ ↓
 ① ② ③ ④ ⑤



型番選定例 (Model Number Selection example)

SMP2-15TF-SB-B-7K

: 1/2"(×3/8"), Pillar Super 300, Bottom mounting, 0.7MPa specification

◎ : 標準在庫品 (Standard stock)
 ○ : 受注生産品 (Made to order)
 — : 取り扱いなし (Not stock)

| ① バルブサイズ (Valve size) | | 10 | | 15 | | 20 | | 25 | |
|----------------------------|---------------------------|-------------|------|--------------|------|--------------|------|--------------|------|
| | mm | Φ10×Φ8, N8 | | Φ12×Φ10, N10 | | Φ19×Φ16, N16 | | Φ25×Φ22, N22 | |
| | inch | 3/8"(×1/4") | | 1/2"(×3/8") | | 3/4"(×5/8") | | 1"(×7/8") | |
| ② 接続方式 (Connection method) | | mm | inch | mm | inch | mm | inch | mm | inch |
| F | Flowell 20series | ◎ | ◎ | ◎ | ◎ | ◎ | ◎ | ◎ | ◎ |
| FA | Flowell 20Aseries | ◎ | ◎ | ◎ | ◎ | ◎ | ◎ | ◎ | ◎ |
| R | Flowell 60series | ○ | ○ | ○ | ○ | ○ | ○ | ○ | ○ |
| H | Flowell 80series | ○ | ○ | ○ | ○ | ○ | ○ | ○ | ○ |
| P | Pillar Super fitting | ○ | ○ | ○ | ○ | ○ | ○ | ○ | ○ |
| S | Pillar Super 300 | ◎ | ◎ | ◎ | ◎ | ◎ | ◎ | ◎ | ◎ |
| L | Pillar Super flare | ○ | ○ | ○ | ○ | ○ | ○ | ○ | ○ |
| K | Kurabo Final lock | ○ | ○ | ○ | ○ | ○ | ○ | ○ | ○ |
| C | Kurabo K-Fitter | ○ | ○ | ○ | ○ | ○ | ○ | ○ | ○ |
| B | Bueno Fit-One | ○ | ○ | ○ | ○ | ○ | ○ | ○ | ○ |
| X | Flare Type | — | ○ | — | ○ | — | ○ | — | ○ |
| NL | Yodogawa Nano Link system | ○※3 | — | ○※3 | — | ○※3 | — | ○※3 | — |
| T | Tube Type | ○ | ○ | ○ | ○ | ○ | ○ | ○ | ○ |

| ③ チューブ規格 (Tube Standard) | |
|--------------------------|------|
| A | mm |
| B | inch |

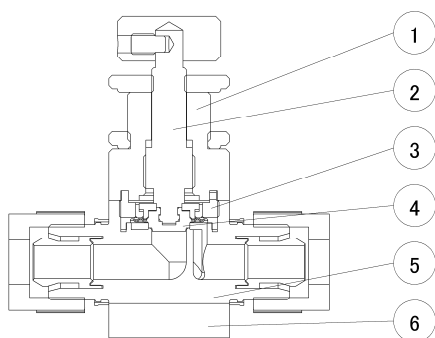
| ⑤ 流体圧力 (Fluid pressure range) | |
|-------------------------------|---------------------------------|
| (No sign) | 0.5MPa仕様 (0.5MPa specification) |
| 7K | 0.7MPa仕様 (0.7MPa specification) |

| ④ 取付け (Mounting) | |
|------------------|---------------------------|
| (No sign) | フランジベース (Flange mounting) |
| B | 底面取付け (Bottom mounting) |

注記 (Note)

※1: チューブ規格は記載せず、NLと記載して下さい。(例) N8: 10TF-NL

内部構造 (Internal structure)



| 品番 (No) | 部品名 (Parts name) | 材質 (Material) |
|---------|--------------------|---------------|
| ① | ケース (Case) | PP |
| ② | シャフト (Shaft) | PP |
| ③ | スタフing (Stuffing) | PP |
| ④ | ダイアフラム (Diaphragm) | PTFE |
| ⑤ | ボディ (Body) | PTFE |
| ⑥ | ベース (Base) | PP |

仕様 (Specifications)

| | | | |
|--|---|--------|--|
| 使用流体 (Fluid) | 薬液・純水・気体 (Chemical liquid, DIW, Gas) ※1 | | |
| 流体温度 (Fluid temperature range) | 10~100°C | | |
| 雰囲気温度 (Atmospheric temperature) | 0~40°C | | |
| 接液部材質 (Materials of liquid flowed parts) | ボディ (Body) | : PTFE | |
| | ダイアフラム (Diaphragm) | : PTFE | |
| 操作方式 (Operating system) | 手動マニュアル式 (Manual type) | | |

| | | | | |
|------------------------------------|--------------------|-----------|-----------|---------|
| バルブサイズ (Valve size) | 10 (3/8") | 15 (1/2") | 20 (3/4") | 25 (1") |
| オリフィス (Orifice) | Φ8 | Φ10 | Φ16 | Φ22 |
| 流体圧力 (Fluid pressure range) | | | | |
| 0.5MPa仕様 (0.5MPa specification) | IN→OUT | 0~0.5MPa | | |
| | 背圧 (Back pressure) | 0~0.5MPa | | |
| 0.7MPa仕様 (0.7MPa specification) | IN→OUT | 0~0.7MPa | | |
| | 背圧 (Back pressure) | 0~0.7MPa | | |

PFA

Flare Type
Flowell 60seriesPillar Super 300
Pillar Super flare

PTFE

Tube Fittings

PTFE
(HI-TEMP)

Tube Fittings

Other

Union

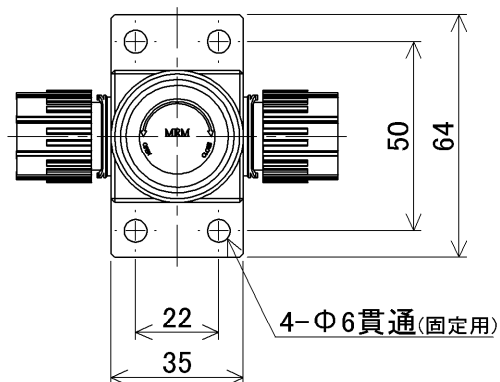
注記 (Note)

※1: 気体の場合は、最大で1cm³/minの弁座漏れが発生する可能性があります。

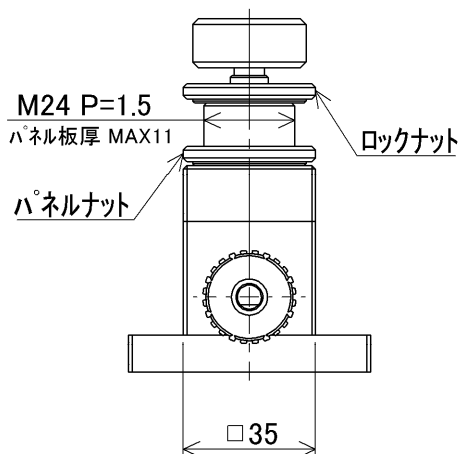
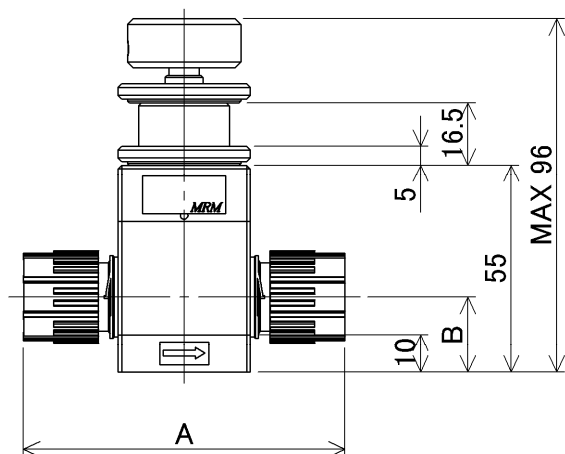
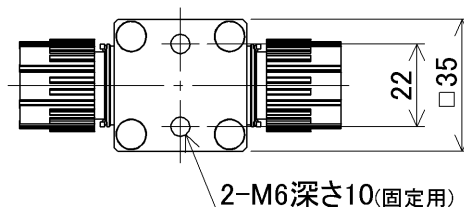
寸法 (Dimensions)

- ▶ $\Phi 10 \times \Phi 8$, N8
- ▶ 3/8" (×1/4")

SMP2 - 10 TF - □□ - □ - □



底面取付 (Bottom mounting)

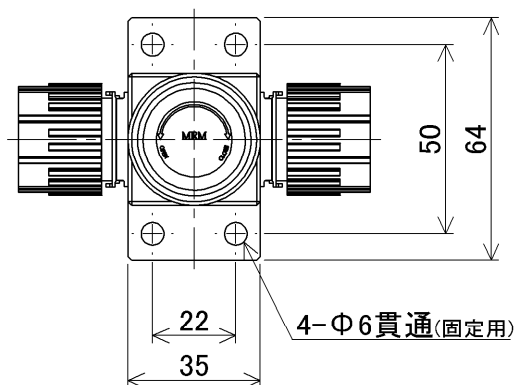


| 接続方式 (Connection method) | A | B |
|-----------------------------|------|----|
| Flowell 20series | 77 | 20 |
| Flowell 20Aseries | 77 | 20 |
| Flowell 60series | 113 | 20 |
| Flowell 80series | 86 | 22 |
| Pillar Super fitting | 88 | 20 |
| Pillar Super 300 | 85 | 20 |
| Pillar Super flare | 84.6 | 20 |
| Kurabo Final lock | 93 | 22 |
| Kurabo K-Fitter | 75 | 20 |
| Bueno Fit-One | 90.4 | 22 |
| Flare Type | 98.6 | 20 |
| Nano Link system | 69.8 | 22 |
| Tube Type | 83 | 20 |

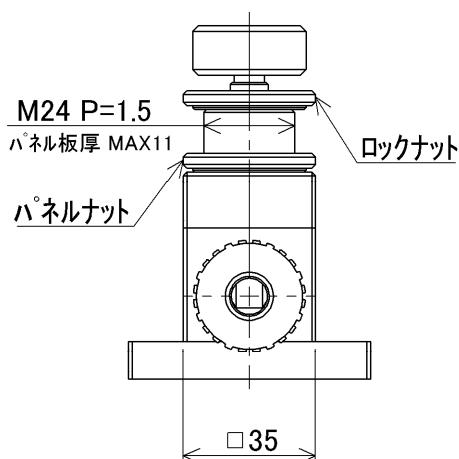
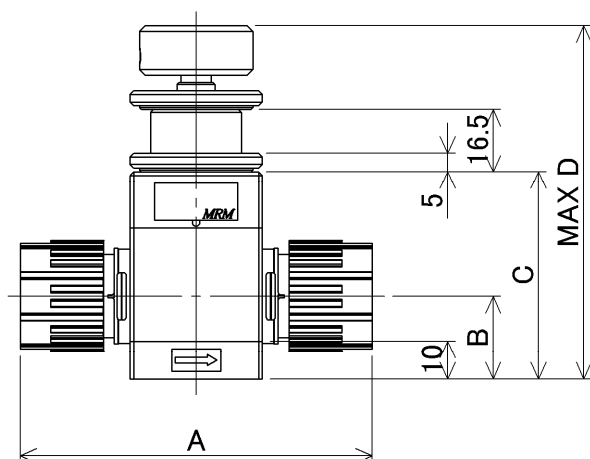
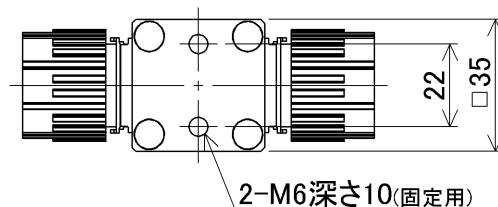
寸法 (Dimensions)

- ▶ $\Phi 12 \times \Phi 10$, N10
- ▶ 1/2" (× 3/8")

SMP2 - 15 TF - □□ - □ - □



底面取付 (Bottom mounting)



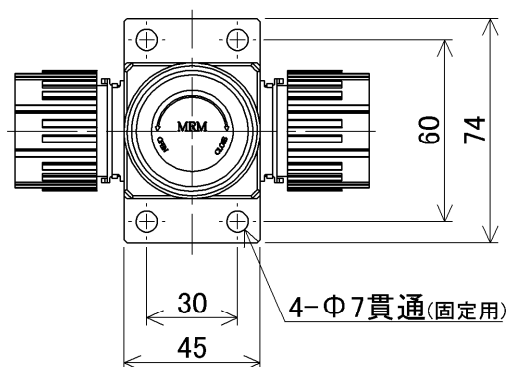
| 接続方式 (Connection method) | A | B | C | D |
|-----------------------------|-------|----|----|----|
| Flowell 20series | 85 | 20 | 55 | 96 |
| Flowell 20Aseries | 85 | 20 | 55 | 96 |
| Flowell 60series | 113 | 20 | 55 | 96 |
| Flowell 80series | 93 | 24 | 57 | 98 |
| Pillar Super fitting | 95 | 22 | 55 | 96 |
| Pillar Super 300 | 93 | 22 | 55 | 96 |
| Pillar Super flare | 92.6 | 22 | 55 | 96 |
| Kurabo Final lock | 95 | 22 | 55 | 96 |
| Kurabo K-Fitter | 81 | 20 | 55 | 96 |
| Bueno Fit-One | 99 | 22 | 55 | 96 |
| Flare Type | 102.6 | 20 | 55 | 96 |
| Nano Link system | 72.2 | 24 | 57 | 98 |
| Tube Type | 85 | 20 | 55 | 96 |

| | | | | | | | | |
|-----|--------------------------------|--|------|--------------|-------------------|--------------|-------|-------|
| PFA | Flare Type Flowell 60series | Pillar Super 300 Pillar Super flare | PTFE | Tube Fitting | PTFE (HI-TEMP) | Tube Fitting | Other | Union |
|-----|--------------------------------|--|------|--------------|-------------------|--------------|-------|-------|

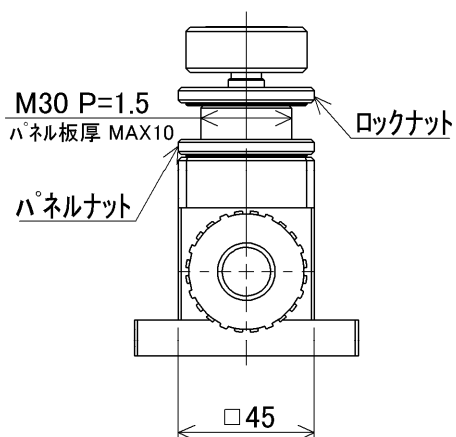
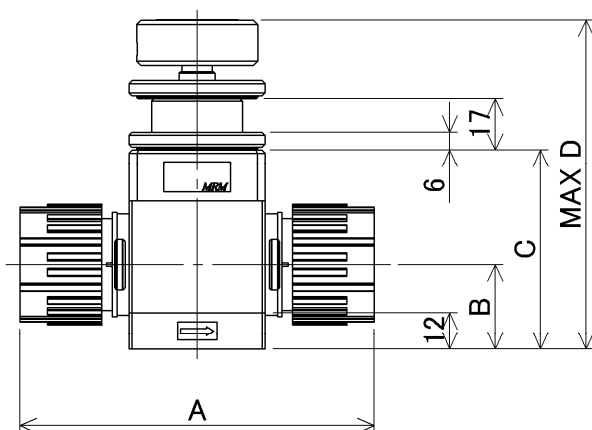
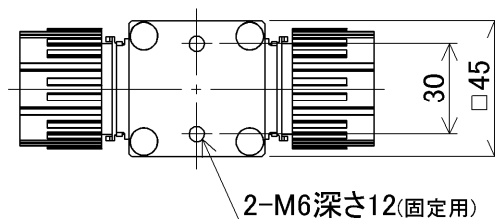
寸法 (Dimensions)

- ▶ $\Phi 19 \times \Phi 16$, N16
- ▶ 3/4" (×5/8")

SMP2 - 20 TF - □□ - □ - □



底面取付 (Bottom mounting)

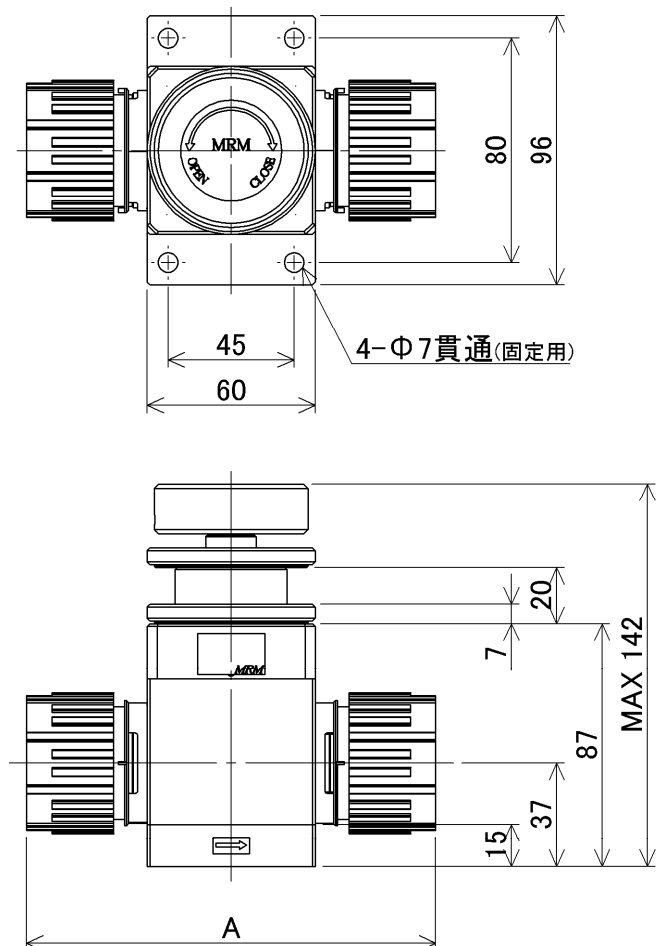


| 接続方式 (Connection method) | A | B | C | D |
|-----------------------------|-------|----|----|-----|
| Flowell 20series | 107 | 28 | 66 | 113 |
| Flowell 20Aseries | 107 | 28 | 66 | 113 |
| Flowell 60series | 133 | 28 | 66 | 113 |
| Flowell 80series | 118 | 28 | 66 | 113 |
| Pillar Super fitting | 124 | 28 | 66 | 113 |
| Pillar Super 300 | 117 | 28 | 66 | 113 |
| Pillar Super flare | 116.6 | 28 | 66 | 113 |
| Kurabo Final lock | 114 | 28 | 66 | 113 |
| Kurabo K-Fitter | 99 | 28 | 66 | 113 |
| Bueno Fit-One | 127 | 28 | 66 | 113 |
| Flare Type | 118.6 | 28 | 66 | 113 |
| Nano Link system | 90.6 | 30 | 68 | 115 |
| Tube Type | 105 | 28 | 66 | 113 |

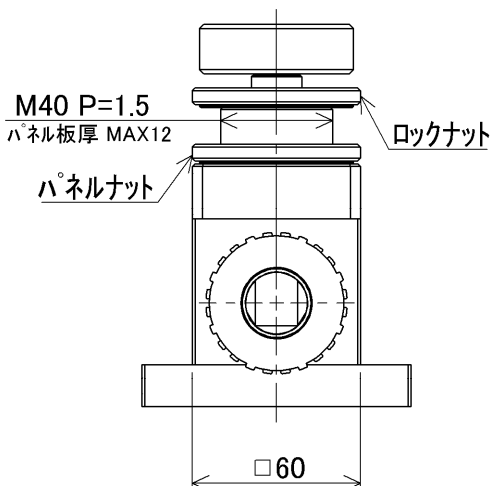
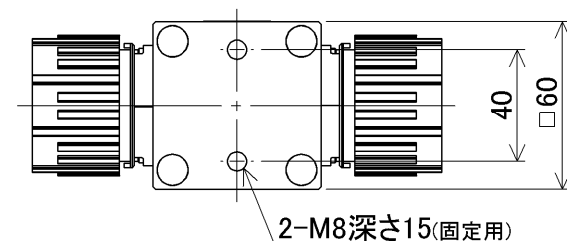
寸法 (Dimensions)

- ▶ $\Phi 25 \times \Phi 22$, N22
- ▶ 1" ($\times 7/8$ ")

SMP2 - 25 TF - □□ - □ - □



底面取付 (Bottom mounting)



| 接続方式 (Connection method) | A |
|-----------------------------|-------|
| Flowell 20series | 144 |
| Flowell 20Aseries | 144 |
| Flowell 60series | 162 |
| Flowell 80series | 138 |
| Pillar Super fitting | 150 |
| Pillar Super 300 | 146 |
| Pillar Super flare | 143 |
| Kurabo Final lock | 139 |
| Kurabo K-Fitter | 122 |
| Bueno Fit-One | 156 |
| Flare Type | 150 |
| Nano Link system | 110.4 |
| Tube Type | 140 |

| | | | | | | | | |
|-----|--------------------------------|--|------|--------------|-------------------|--------------|-------|-------|
| PFA | Flare Type Flowell 60series | Pillar Super 300 Pillar Super flare | PTFE | Tube Fitting | PTFE (HI-TEMP) | Tube Fitting | Other | Union |
|-----|--------------------------------|--|------|--------------|-------------------|--------------|-------|-------|